

## Mounting the Manifold Wall Cabinet

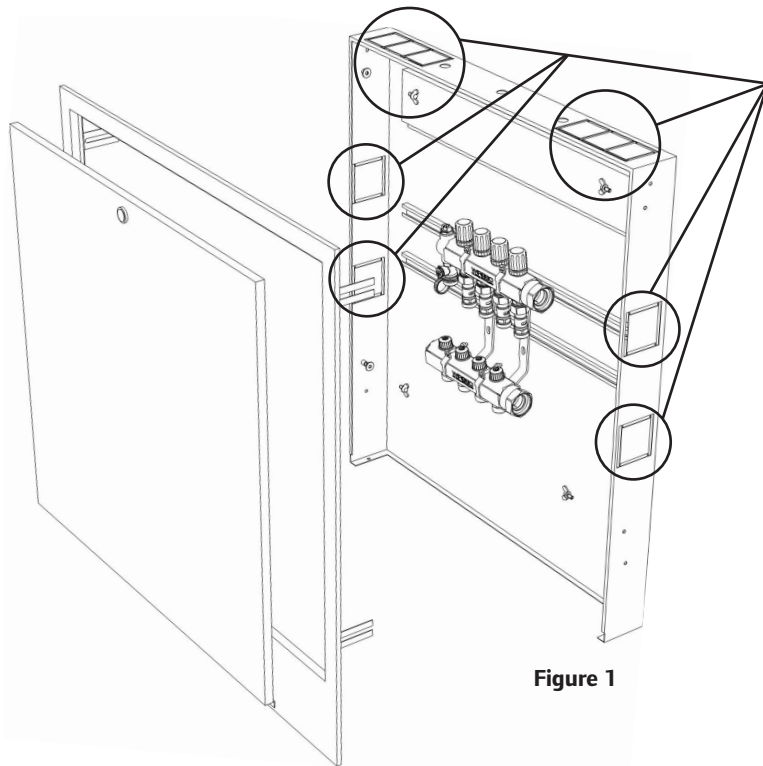


Figure 1

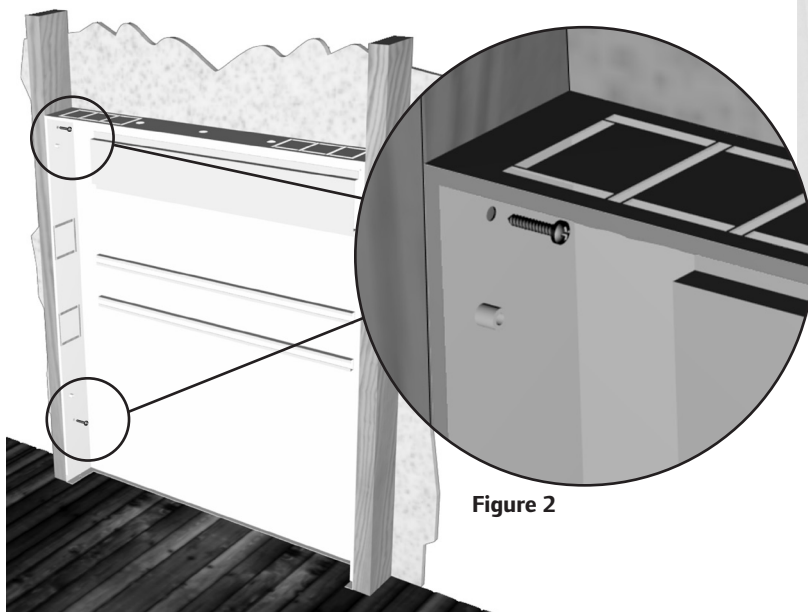


Figure 2

### Prepare the Cabinet for Installation

1. Remove the knockouts as applicable. (See **Figure 1**.)
2. Remove any sharp edges.

### Mount the Manifold Wall Cabinet

1. Ensure the frame opening is the proper size.  
**Note:** Use shims for a proper fit between the manifold cabinet and the framing. Gaps between the manifold cabinet and the framing may deform the manifold cabinet when tightening the mounting screws.
2. Place the manifold cabinet in the wall cavity, flush with the opening. In a 2x4 wall, insert the manifold cabinet all the way to the back of the stud. In a 2x6 wall, ensure the manifold cabinet is approximately 2 inches from the back of the stud.
3. Using wood screws, attach the manifold cabinet to the stud framing. (See **Figure 2**.)



### Manifold Wall Cabinet

Part No.	Dimensions
A2603524	35.5" H x 24" W x 3.5" D
A2603530	35.5" H x 30.5" W x 3.5" D
A2603539	35.5" H x 39" W x 3.5" D

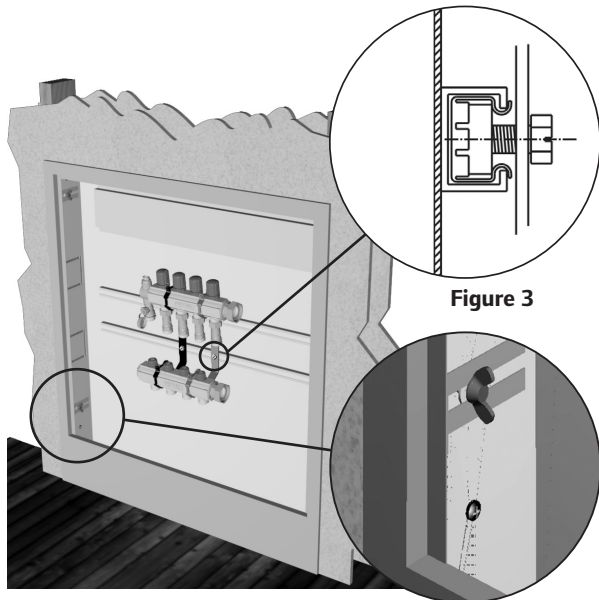


Figure 3

### Mount the Manifold

1. Insert the cage nuts (included) in the mounting rail. (See **Figure 3.**)
2. Align the manifold bracket holes with the cage nuts in the rail and loosely fasten with the bolts (included).
3. Slide the manifold into the desired position and tighten the bolts.

### Mount the Door Trim

1. Ensure the sheetrock edges are even with the mounted manifold cabinet.
2. Align the four door-trim brackets with the threaded posts and wing nuts located on the top and bottom left and right sides of the manifold cabinet.
3. Slide the door trim in until the frame is tight against the wall.
4. Secure by tightening the wing nuts. (See **Figure 4.**)

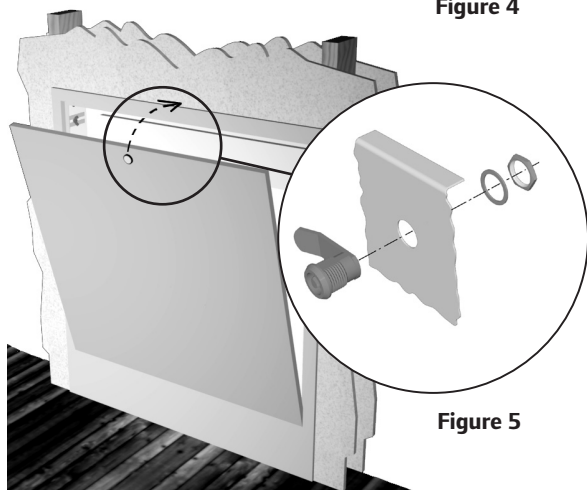


Figure 4

### Attach the Door

1. Mount the latch to the door using the supplied hardware. (See **Figure 5.**)
2. Attach the door to the door trim, and use the supplied key to lock the door.

1" Stainless-steel Manifold <sup>6</sup>	A2603524	A2603530	A2603539
2 to 5 Loops	X		
6 to 8 Loops		X	
10 to 12 Loops			X
1¼" Stainless-steel Manifold <sup>6</sup>	A2603524	A2603530	A2603539
2 to 5 Loops	X		
6 to 8 Loops		X	
10 to 12 Loops			X

TruFLOW Classic and Jr. with Adapter Only <sup>1</sup>	A2603524	A2603530	A2603539
2 to 7 Loops	X		
8 to 10 Loops		X	
11 to 12 Loops			X
TruFLOW Classic and Jr. with Ball Valves <sup>2</sup>	A2603524	A2603530	A2603539
2 to 5 Loops	X		
6 to 8 Loops		X	
10 to 12 Loops			X

<sup>1</sup>When adding the adapter, the cabinets are designed to feature 1" of clearance around the entire manifold assembly for the maximum number of loops in each row of the table.

<sup>2</sup>When adding the adapter or ball valves (horizontally), the cabinets are designed to feature 1" of clearance around the entire manifold assembly for the maximum number of loops in each row of the table.

<sup>3</sup>When adding the adapter, EP elbow or ball valves (horizontally), the cabinets are designed to feature 1" of clearance around the entire manifold assembly for the maximum number of loops in each row of the table.

EP Heating Manifold <sup>1, 5</sup>	A2603524 A2603588	A2603530 A2603588	A2603539 A2603588
2 to 6 Loops	X		
8 to 10 Loops		X	
11 to 12 Loops			X
EP Heating Manifold with EP Elbow or Manifold Supply and Return Ball Valves <sup>3, 4, 5</sup>	A2603524 A2603588	A2603530 A2603588	A2603539 A2603588
2 to 4 Loops	X		
5 to 7 Loops		X	
8 to 12 Loops			X

<sup>4</sup>Manifold Supply and Return Ball Valves (A2631250) cannot be used in conjunction with EP Manifolds inside Manifold Wall Cabinets.

<sup>5</sup>When installing the EP Heating Manifold with 11 to 12 loops and adding the adapter, EP elbow or the ball valves (horizontally), note that the manifold assembly will have limited clearance inside the cabinet.

<sup>6</sup>When installing the Stainless-steel Manifold with 10 to 12 loops, note the mounting bracket spacing must be adjusted for proper fit on cabinet rail.

**Uponor, Inc.**  
5925 148th Street West  
Apple Valley, MN 55124 USA  
Tel: 800.321.4739  
Fax: 952.891.2008

**Uponor Ltd.**  
2000 Argentia Rd., Plaza 1, Ste. 200  
Mississauga, ON L5N 1W1 CANADA  
Tel: 888.994.7726  
Fax: 800.638.9517

**Uponor**  
www.uponorpro.com