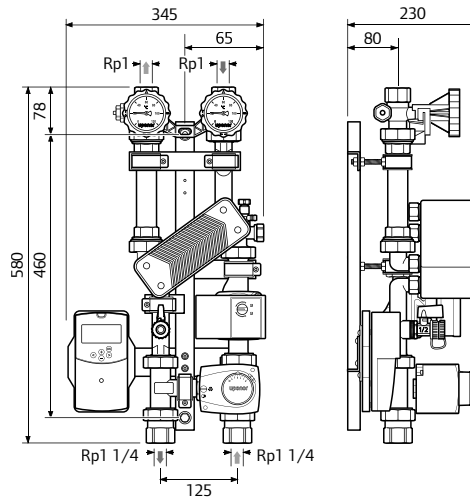
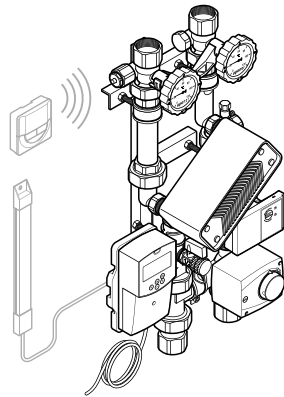


Uponor Fluvia Move PLUS Pumpgroup EPG

Uponor



$Q_{max} = 6 \text{ kW}$



$\vartheta_{sec} = 15 - 55^\circ \text{C}$



$kvs = 8 \text{ m}^3/\text{h}$



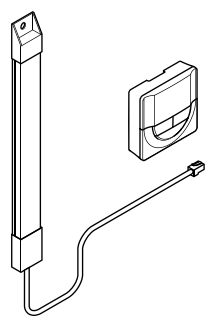
$P_{max} = 6 \text{ bar}$



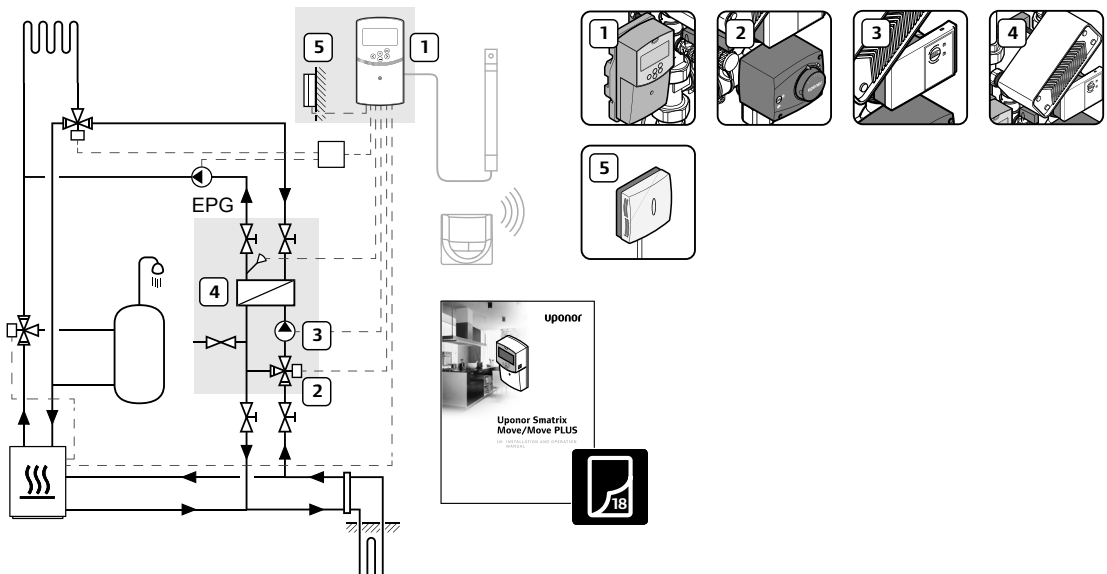
15 Ltr/h

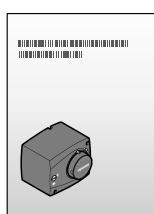
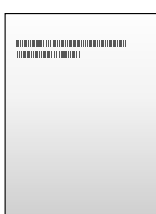
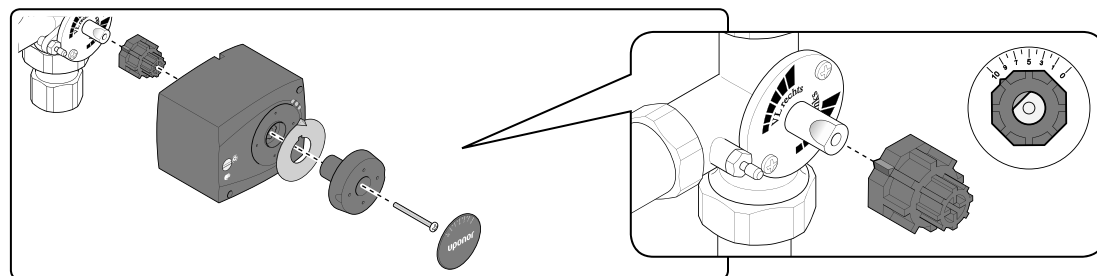
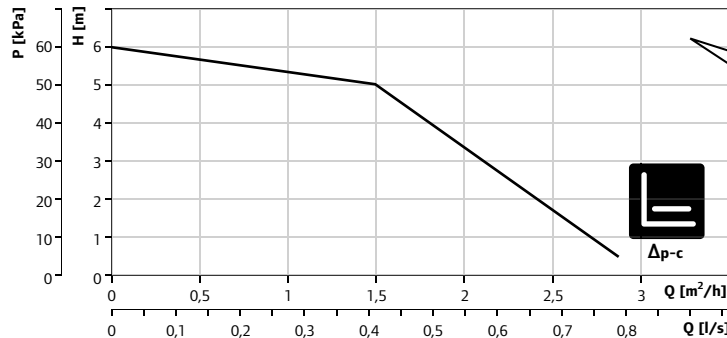
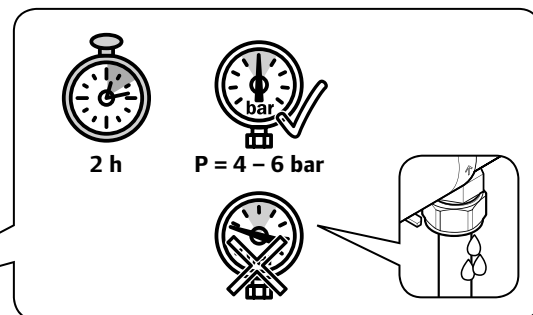
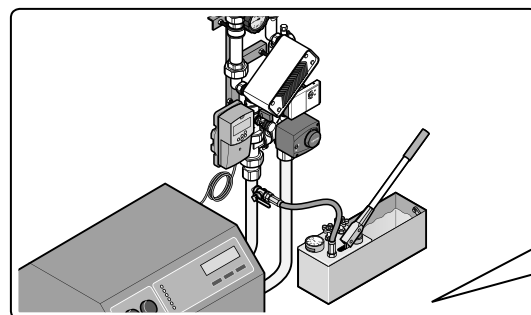
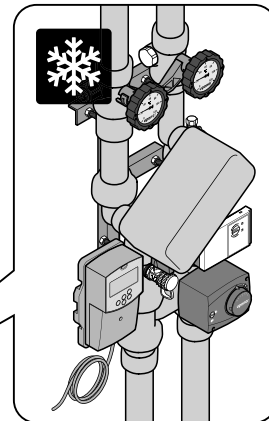
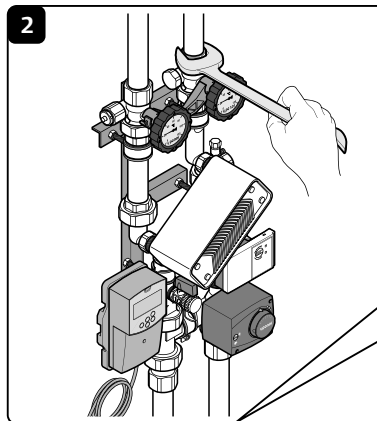
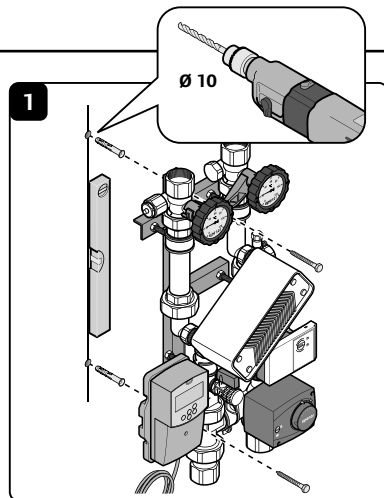


1071676



T-168
1071689





Uponor Corporation
www.uponor.com

Uponor reserves the right to make changes, without prior notification, to the specification of incorporated components in line with its policy of continuous improvement and development.

uponor