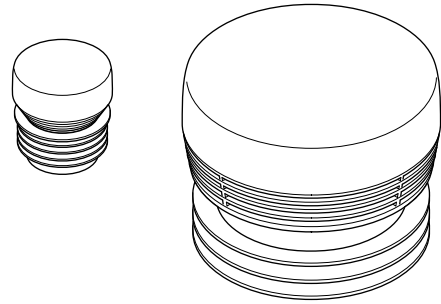
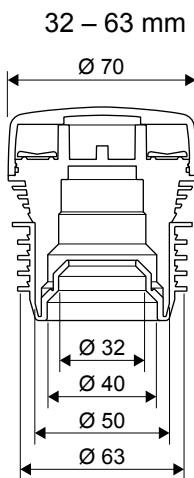
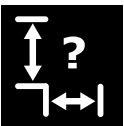


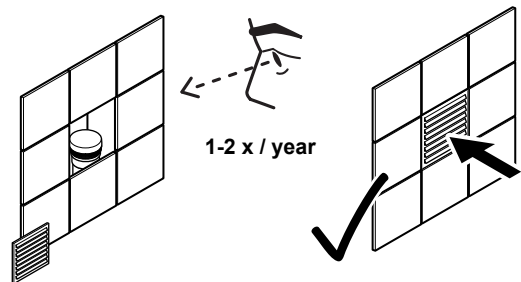
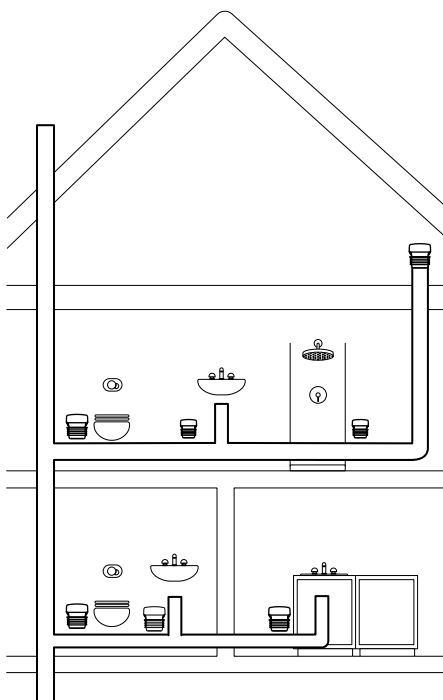
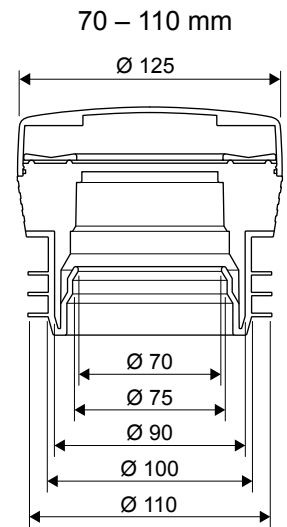
Uponor HypAir admittance valves



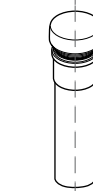
SD000024



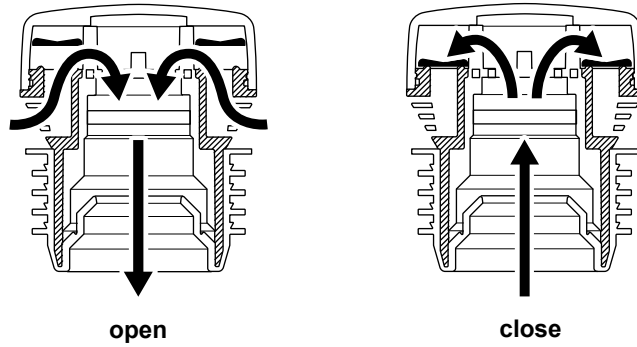
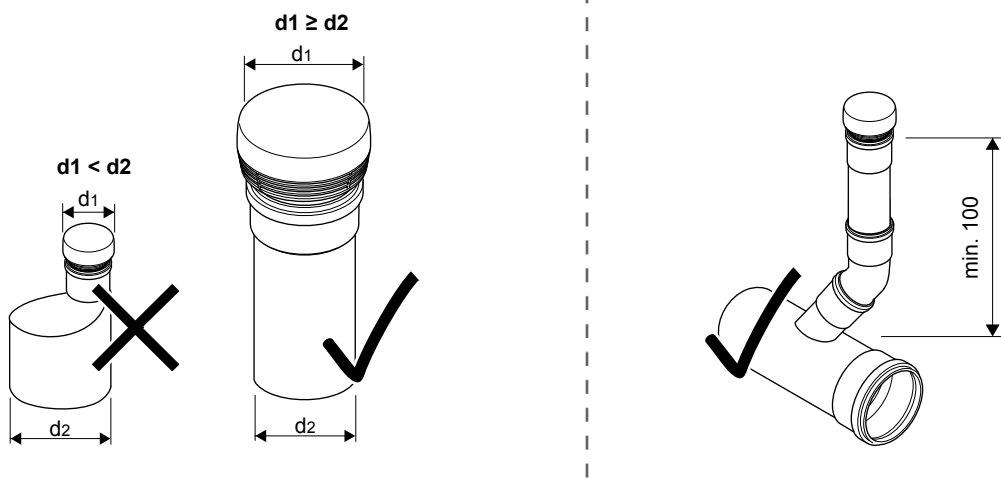
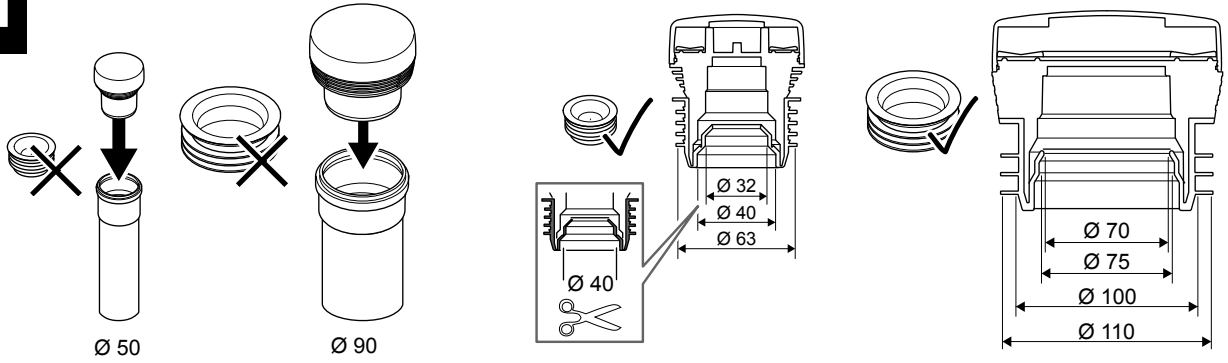
	32 – 63	70 – 110
EN 12380	Al	Al
\dot{V} max. [l/s]	6,1	23,2
t min./max. [°C]	-20 ... +60	-20 ... +60
m [kg]	0,1	0,35



± 5°



SD000059



Uponor GmbH
 Industriestraße 56,
 D-97437 Hassfurt, Germany

1135066 v2_05_2022_INT
 Production: Uponor/SDE_FM

Uponor reserves the right to make changes, without prior notification, to the specification of incorporated components in line with its policy of continuous improvement and development.



www.uponor.com

SI0000520