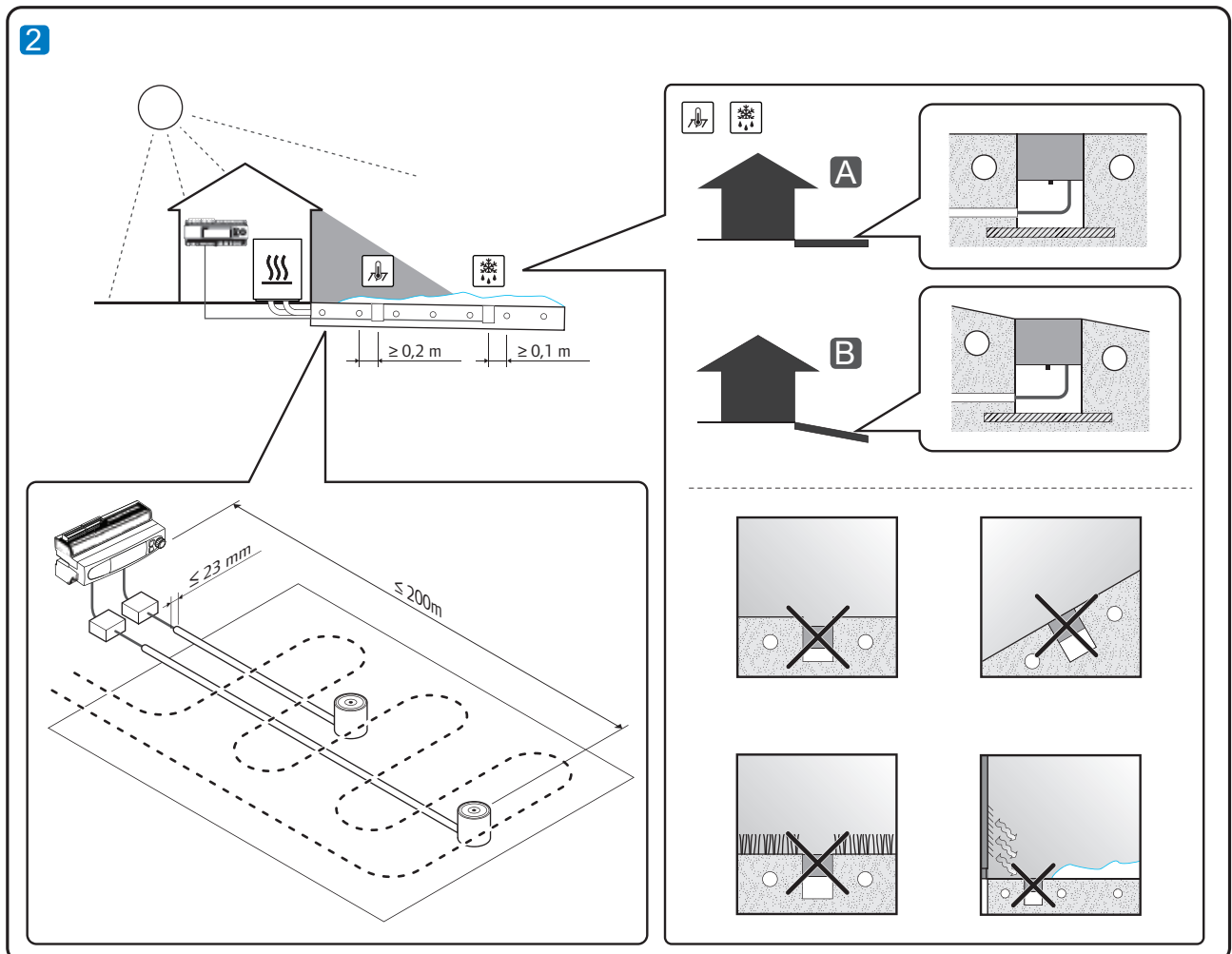
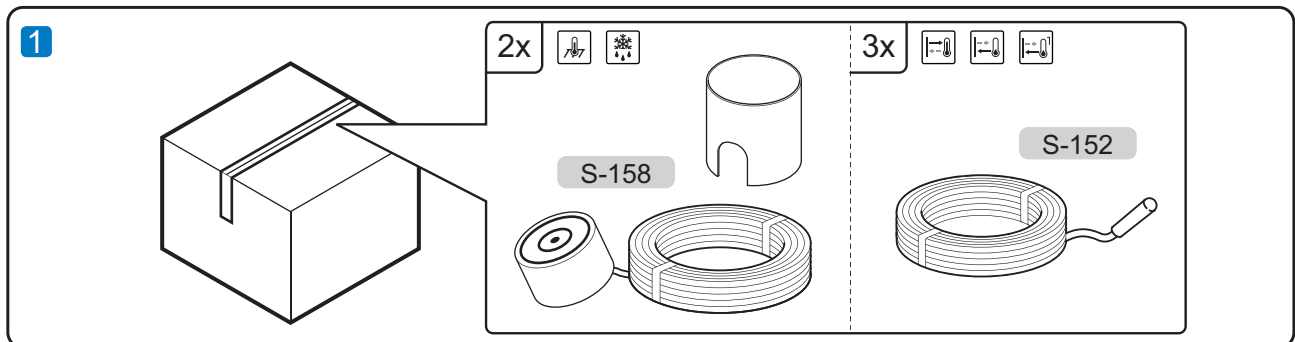
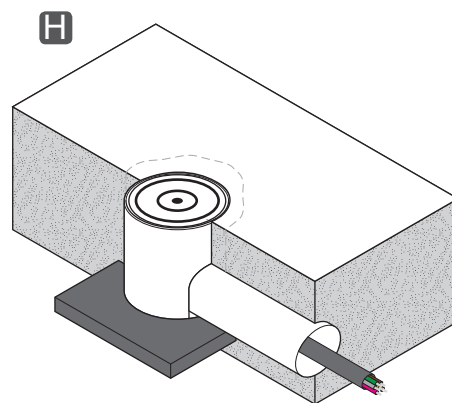
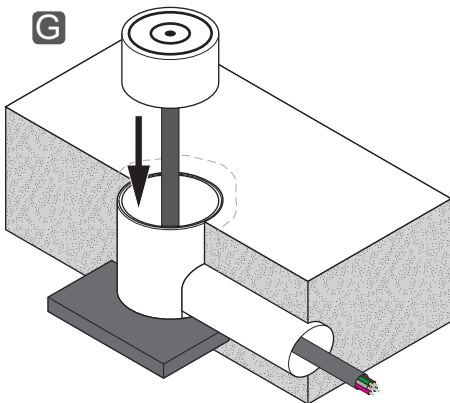
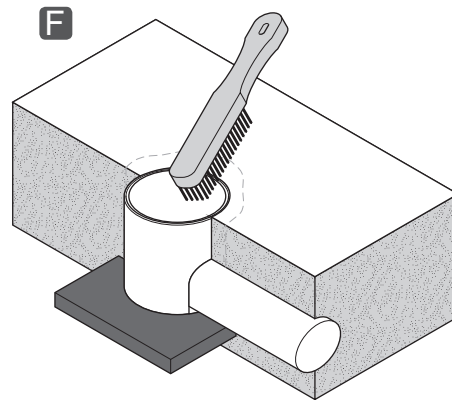
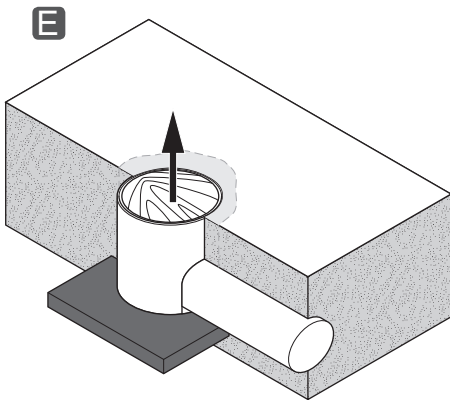
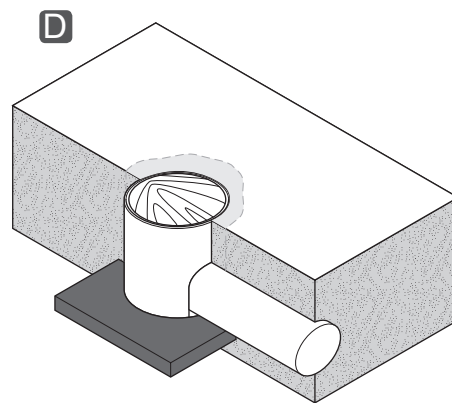
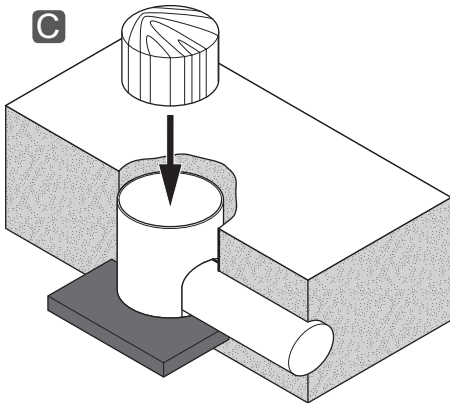
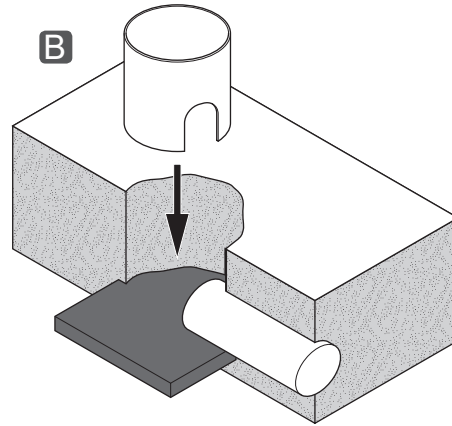
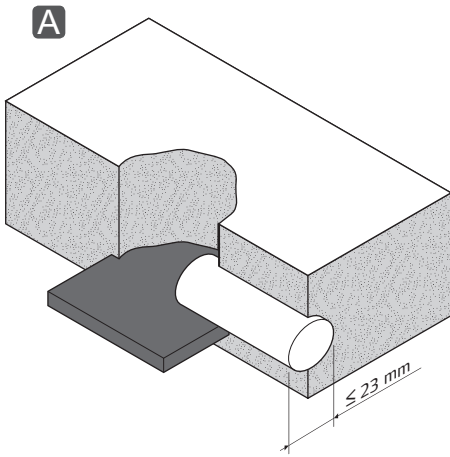


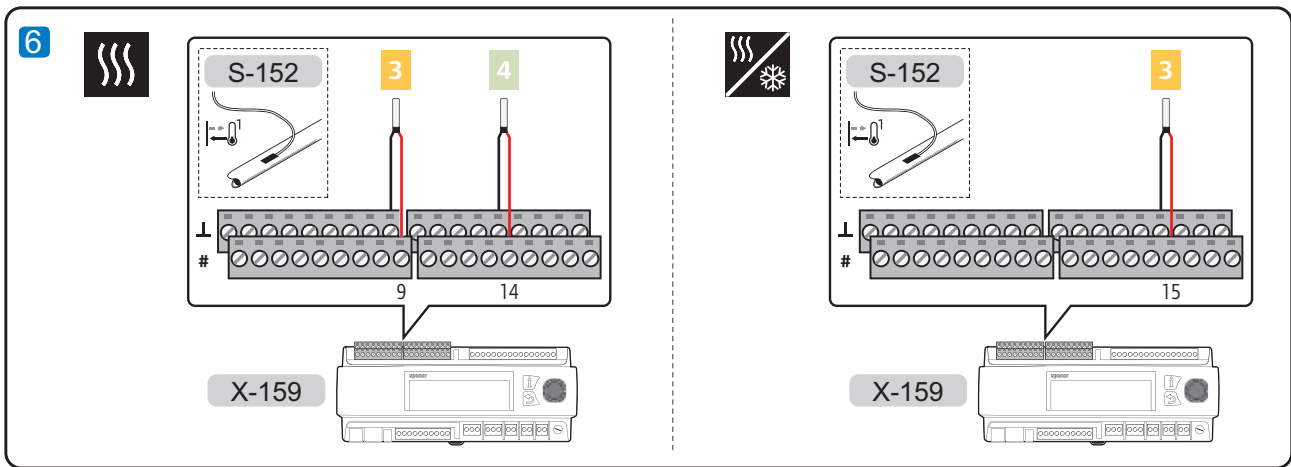
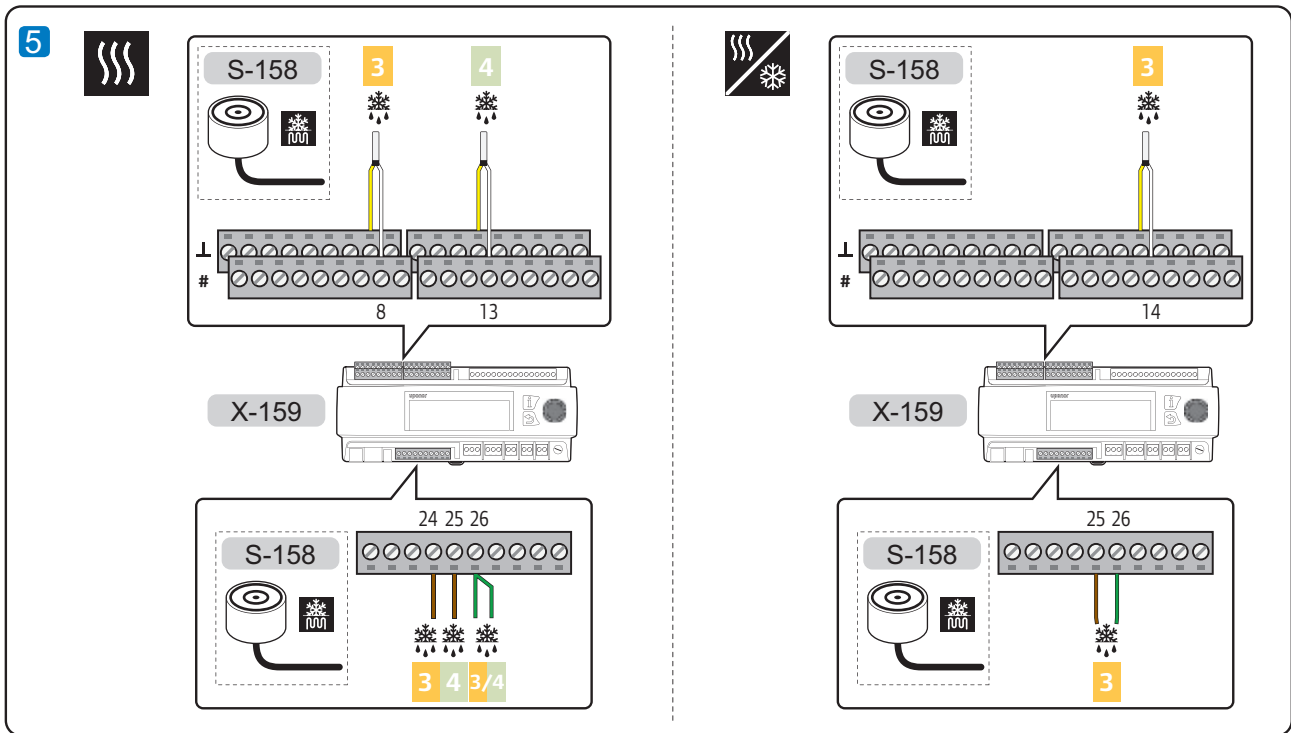
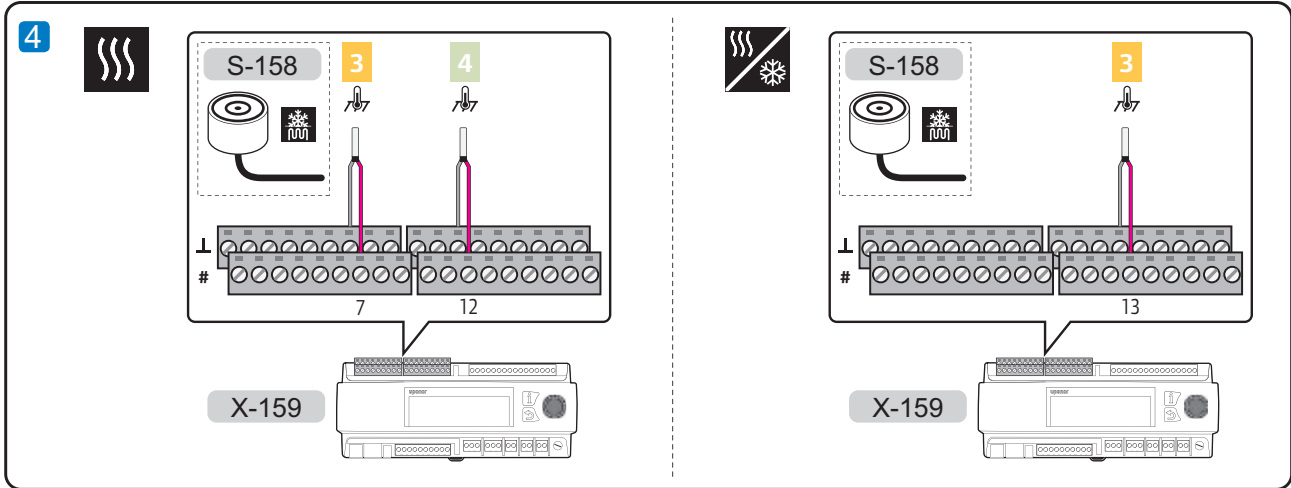
Uponor Smatrix Move PRO Snowmelt Set S-152 + S-158

QUICK GUIDE

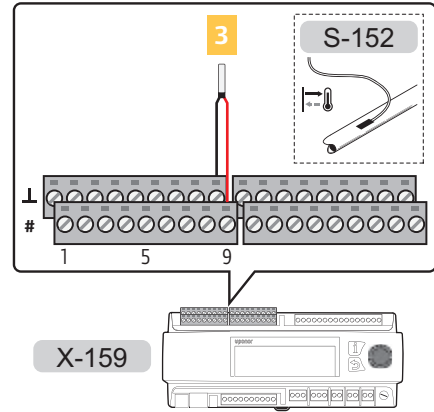
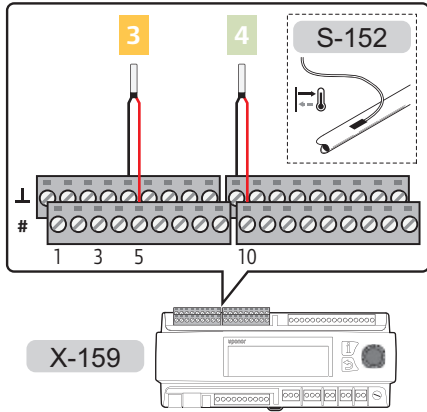


3

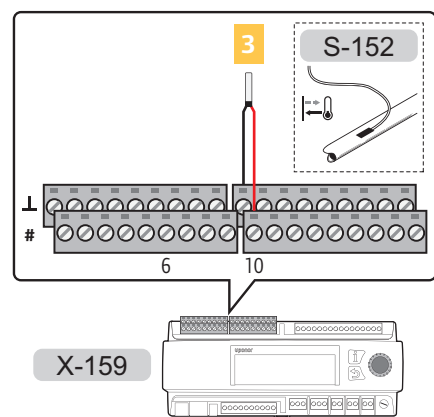
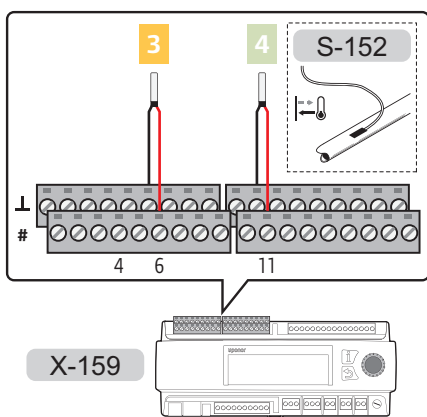




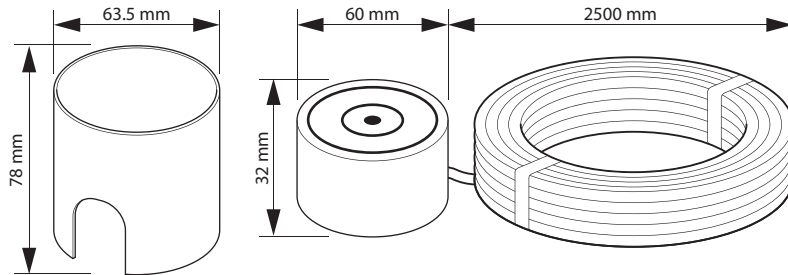
7



8



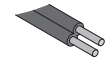
9



NEMA 6P / IP 68



-50...70 °C

6 x 0.15 mm² (≤25 m)NTC 10
-50 °C...+100 °C, ±0.1 °C220 Ω +/- 10%
0,1 A @24VR_{OFF} = ∞ Ω
R_{ON} < 2MΩNTC 10
-50 °C...+100 °C, ±0.1 °CNTC 10
-50 °C...+100 °C, ±0.1 °C