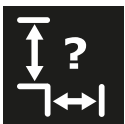
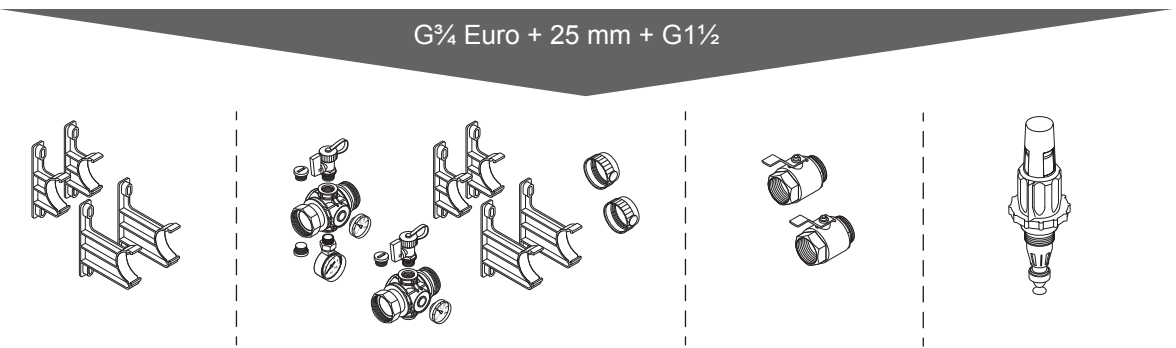
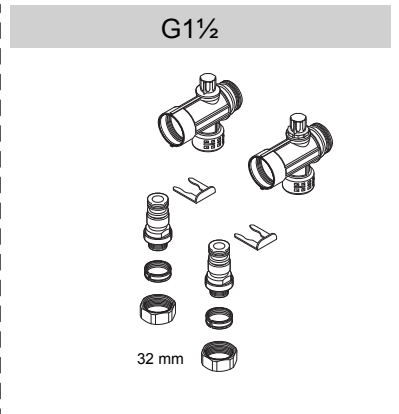
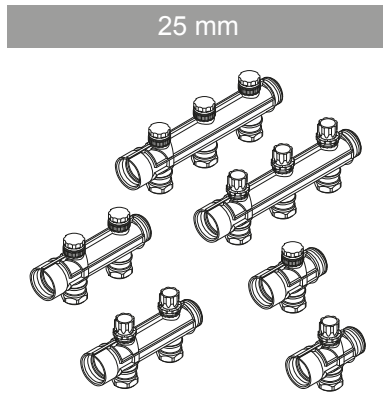
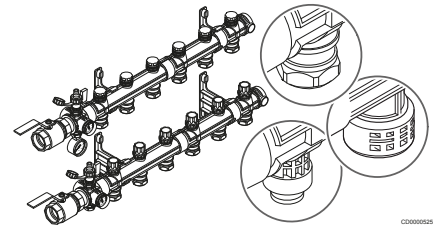
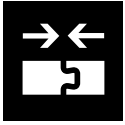
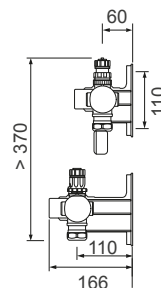
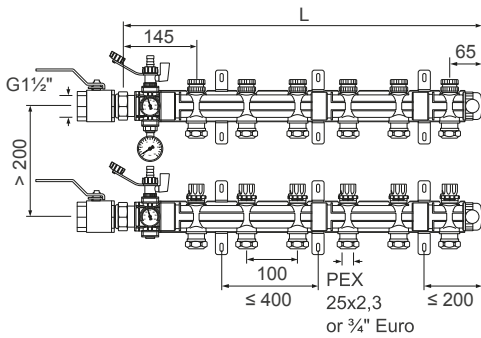


Uponor Magna industrial manifold



G^{3/4} Euro

25 mm



$\vartheta_{sec} = 15 - 60 \text{ } ^\circ\text{C}$

$kvs = 2,35 \text{ m}^3/\text{h}$

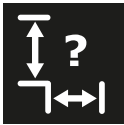
$P_{max} = 6 \text{ bar}$

$kvs = 3,1 \text{ m}^3/\text{h}$

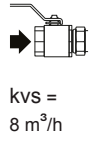
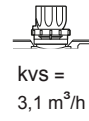
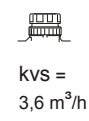
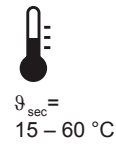
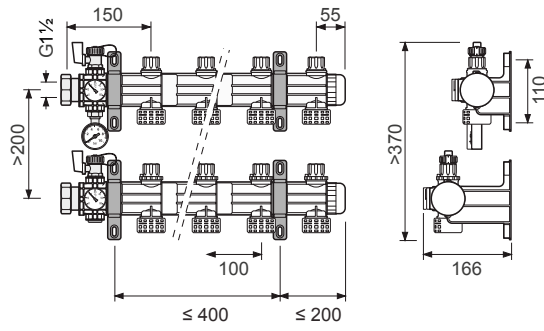
$P_{test} = 10 \text{ bar}$

$kvs = 8 \text{ m}^3/\text{h}$

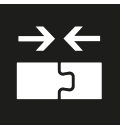
	2	3	4	5	6	7	8	9	10	11
L [mm]	310	410	510	610	710	810	910	1010	1110	1210
	12	13	14	15	16	17	18	19	20	
L [mm]	1310	1410	1510	1610	1710	1810	1910	2010	2110	



G1½



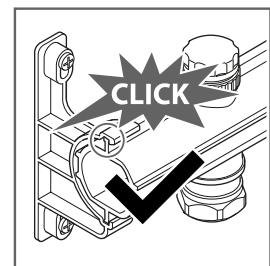
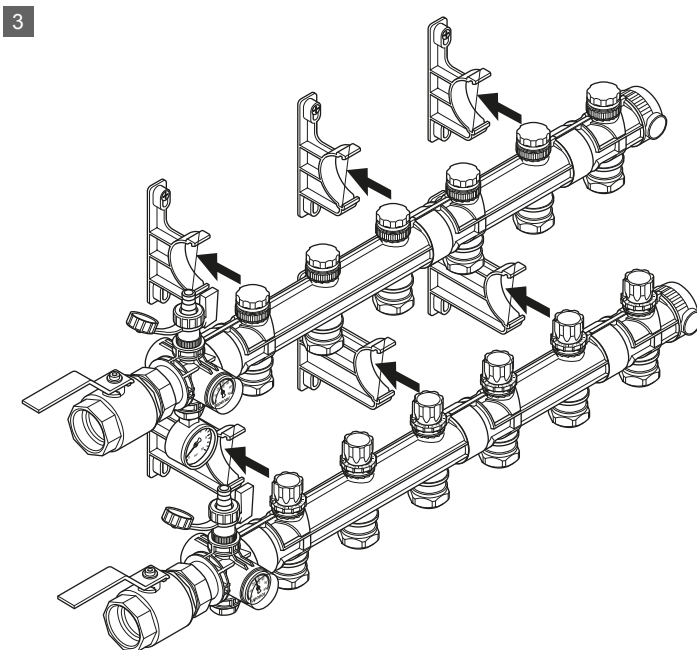
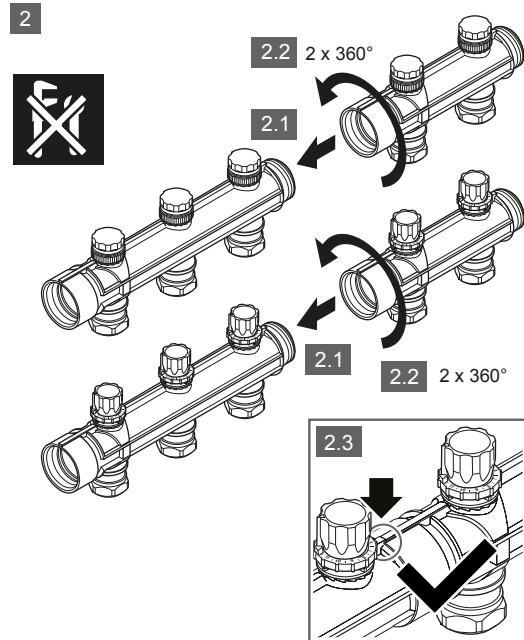
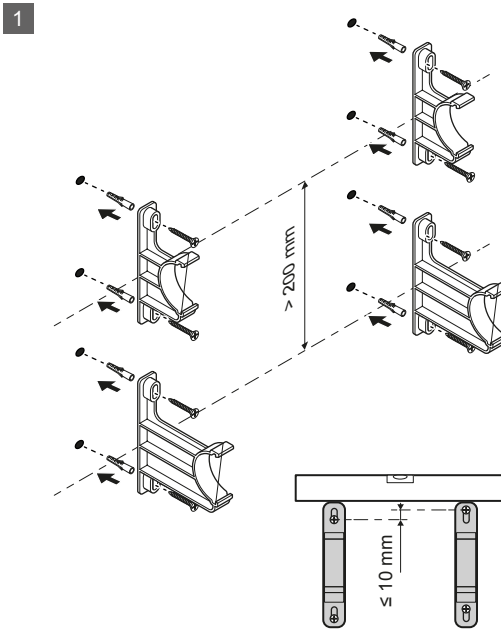
L [mm]	2	3	4	5	6	7	8	9	10
	310	410	510	610	710	810	910	1010	1110



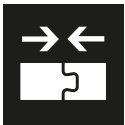
G¾ Euro

25 mm

G1½



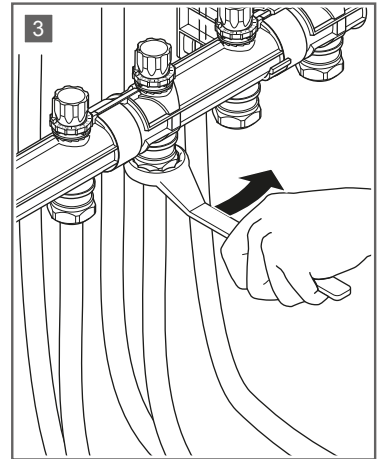
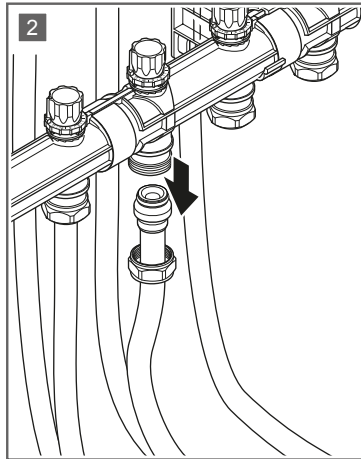
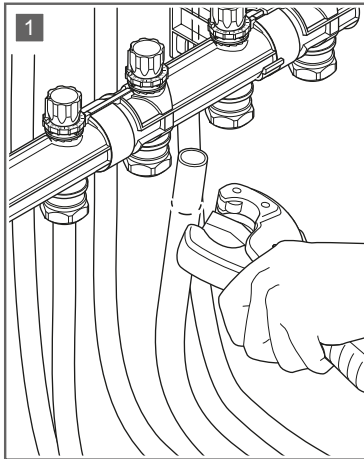
S10000496



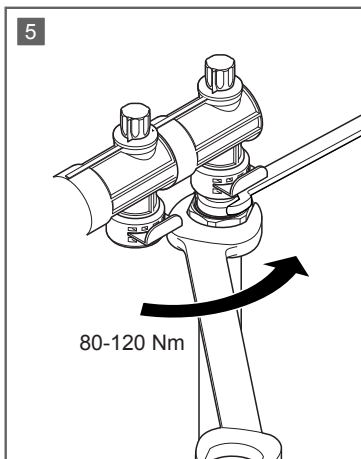
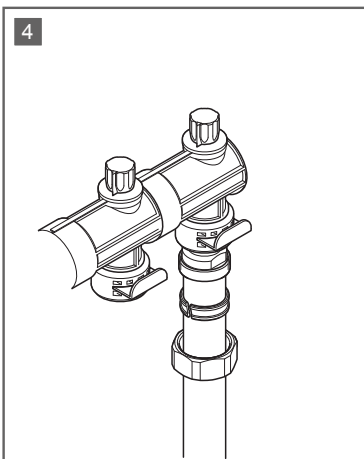
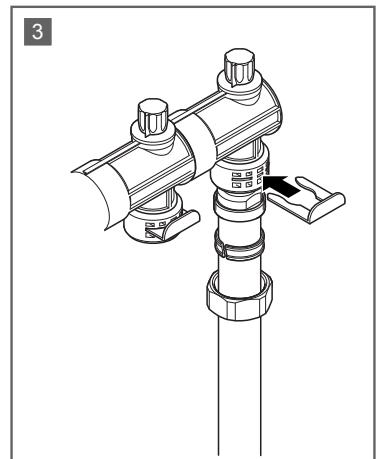
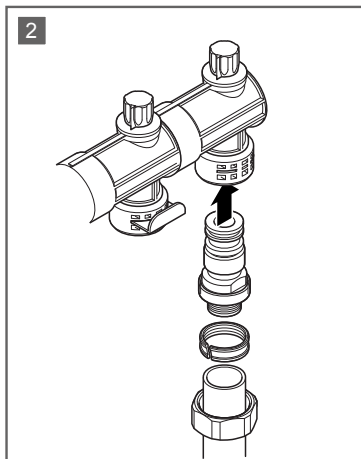
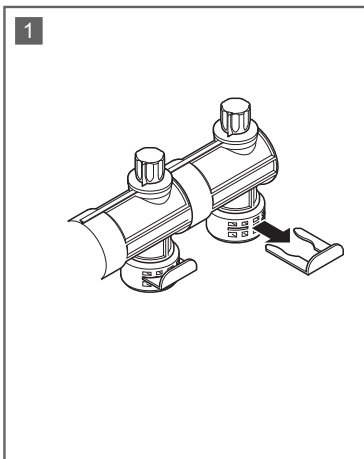
p = 0 bar

G $\frac{3}{4}$ Euro

25 mm



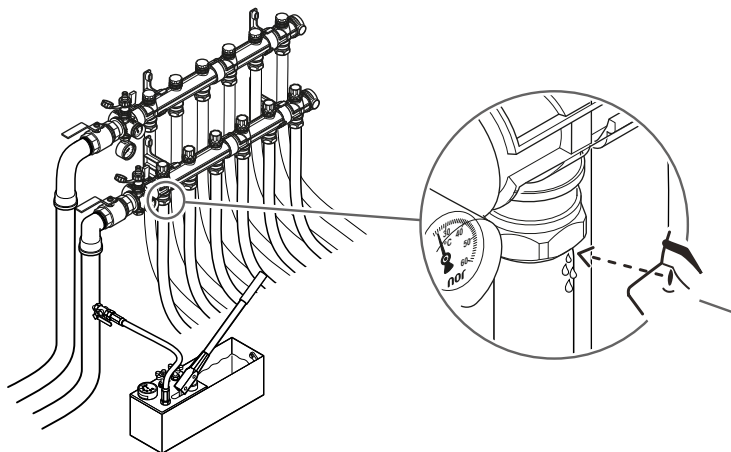
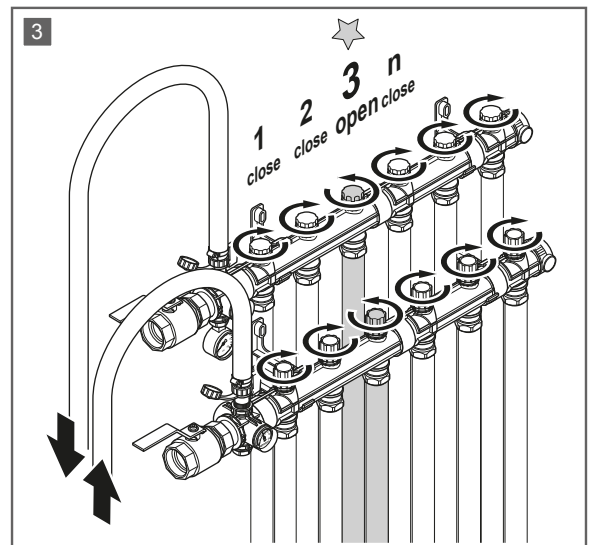
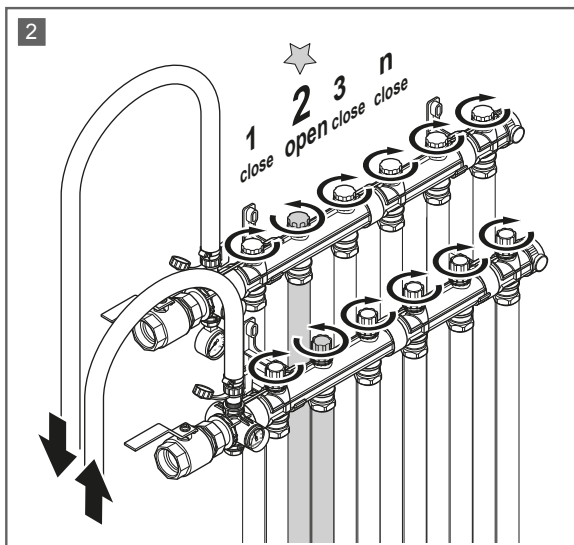
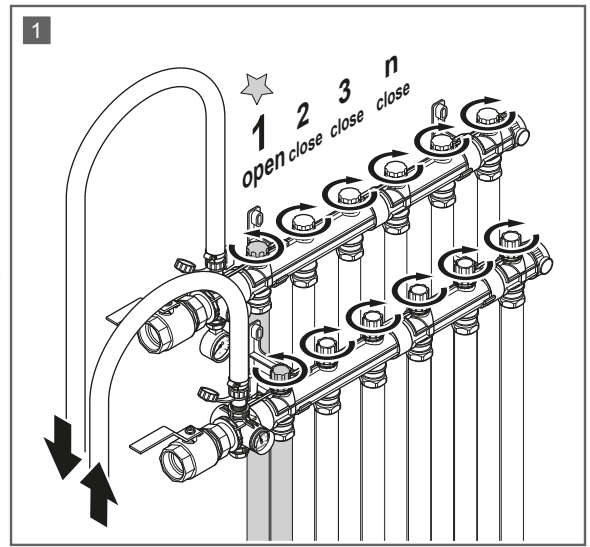
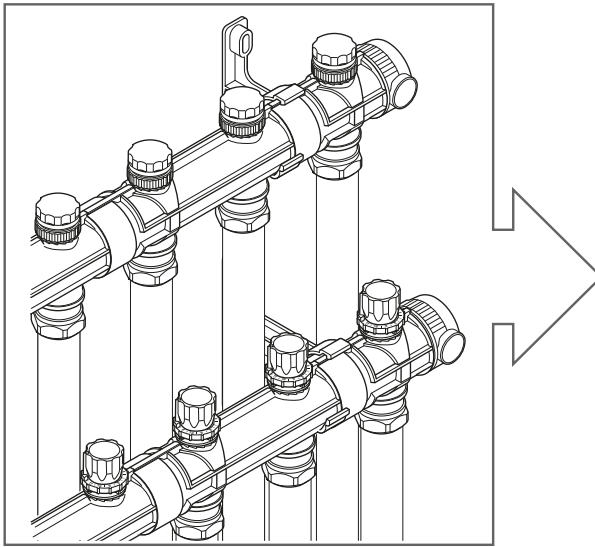
G1 $\frac{1}{2}$



SI0000457



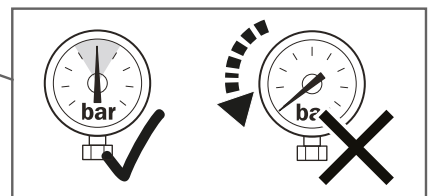
max 5 bar



P = 6 bar



2 h



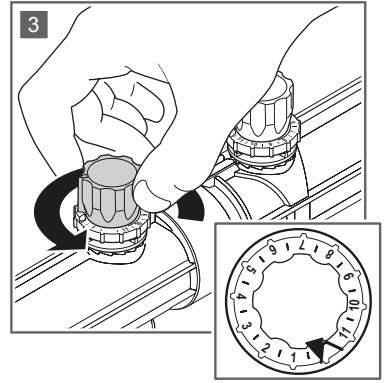
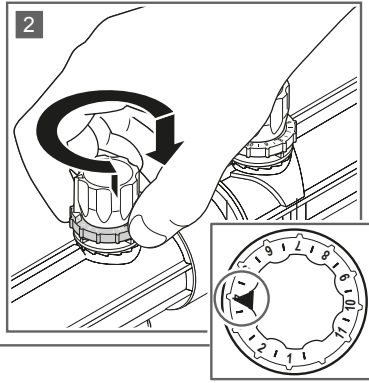
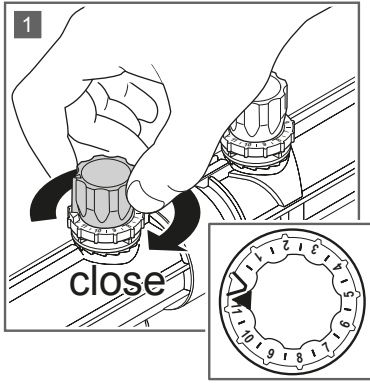
SI0000498



G^{3/4} Euro

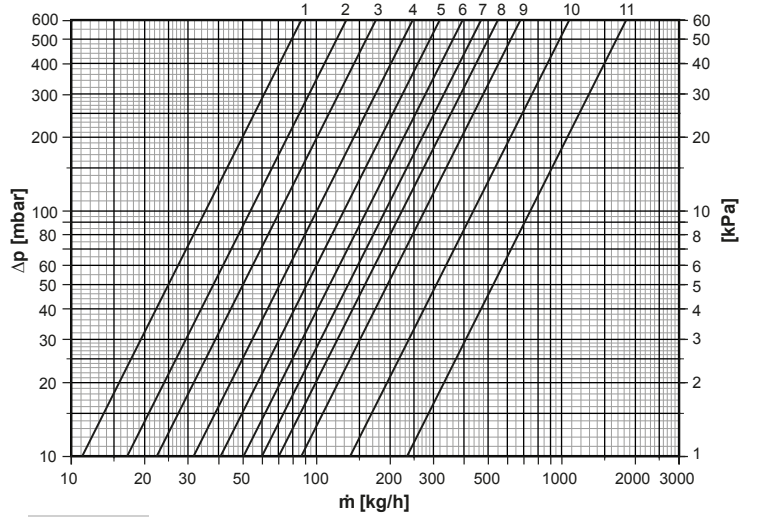
25 mm

G1½

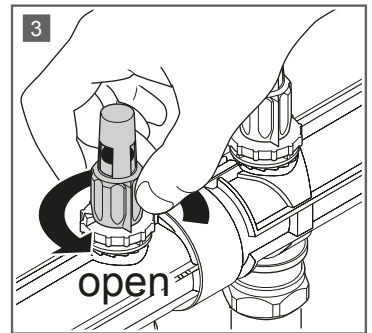
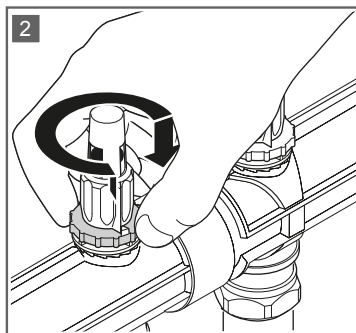
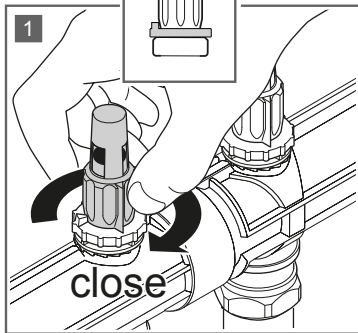
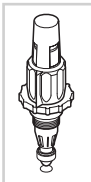
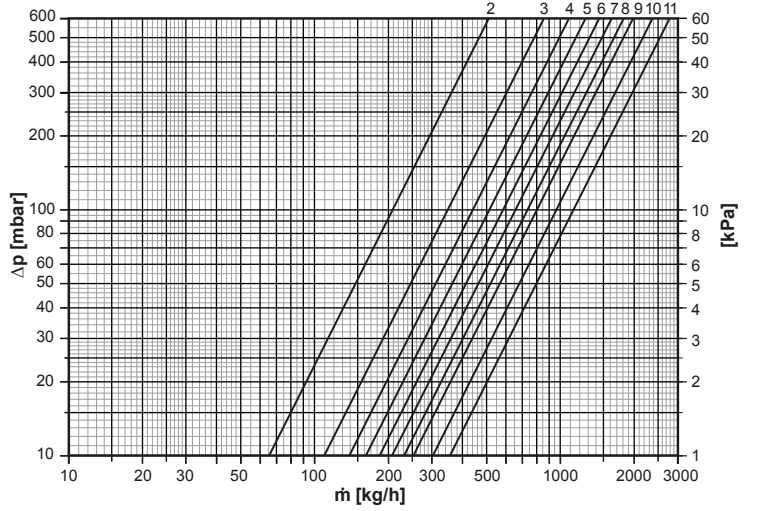


#	#	#	#
1	1	4	4
1	2	8	8
2	3	5	5
3	4	11	11
4	5	1,5	1,5

G^{3/4} Euro 25 mm



G1½



S10000499

Uponor GmbH

Industriestraße 56,
D-97437 Hassfurt, Germany

1125858 v1_01_2022_INT
Production: Uponor/ELO

Uponor reserves the right to make changes, without prior notification,
to the specification of incorporated components in line with its policy of
continuous improvement and development.



www.uponor.com