
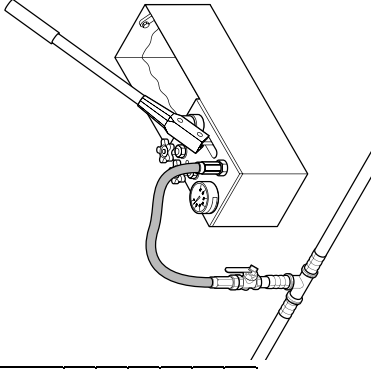
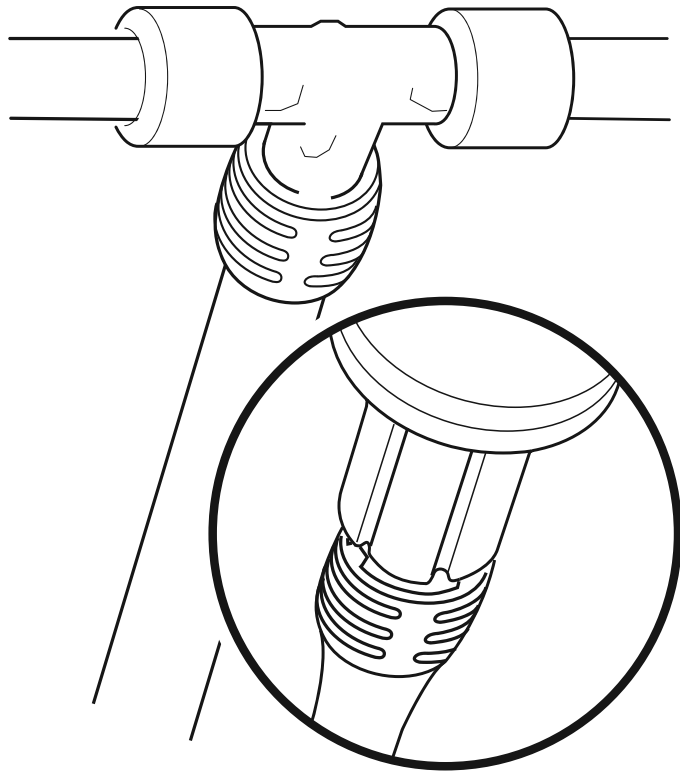
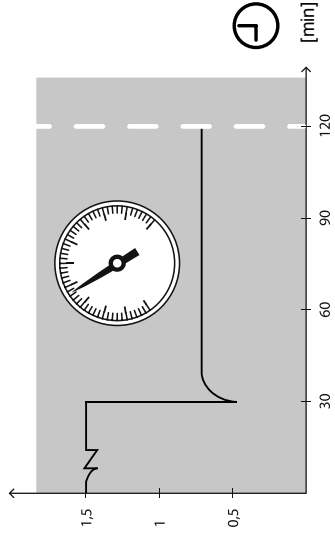
 °C	 h
>+10	0.1 - 0.25
+10 - +5	0.25 - 0.5
+5 - ±0	1.0 - 1.5
±0 - -5	2.0 - 3.0
-5 - -10	3.0 - 4.0
-10 - -15	7.0 - 8.0



[x operating pressure]



Uponor

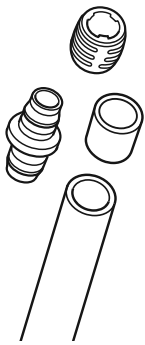
Uponor Q&E Ø 9.9-32 mm

Uponor GmbH
Industriestraße 56
D-97437 Hassfurt
Germany

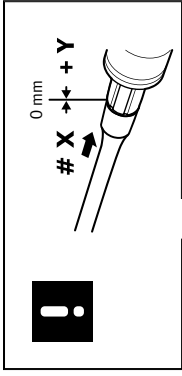
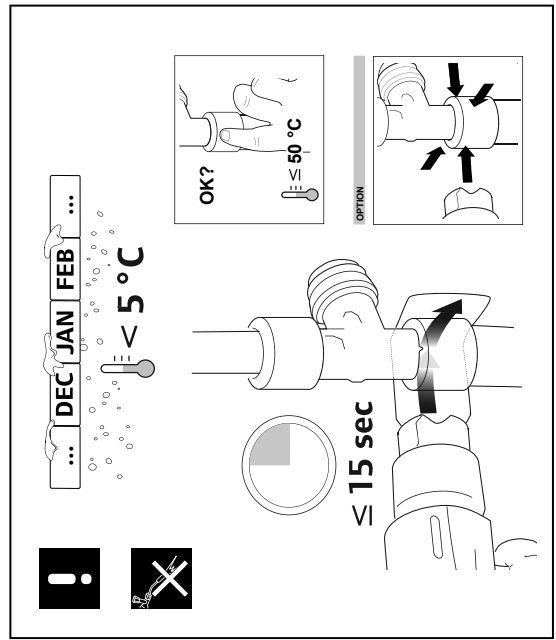
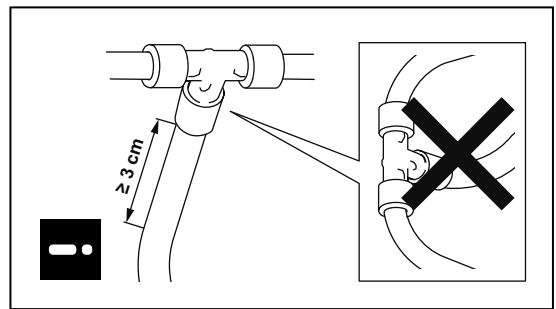
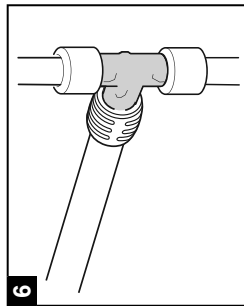
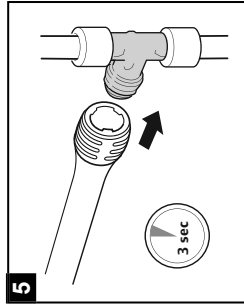
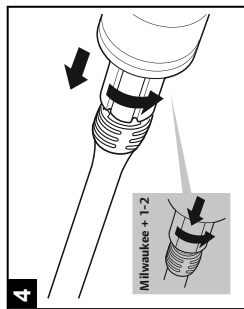
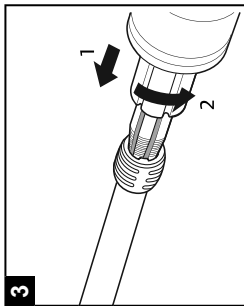
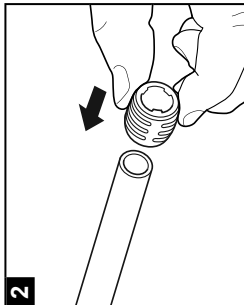
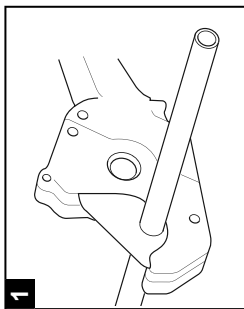


1087003_04/2016_EN

www.uponor.com



Uponor Aqua Pipe
 Uponor Comfort Pipe
 Uponor Comfort Pipe PLUS
 Uponor Radi Pipe



mm	mm	mm	mm	M12/M18		M12	M18
				21 °C	-10 °C		
9.9x1.1	9.9	Q&E 9.9	9.9x1.1	6	6		
12x1.1	12	Q&E 12x1.1	12x1.7/1.8/2.0	7	5		
14x2.0	14/15x2.5	Q&E 14	14/15x2.5	6	6		
16x1.5/16x1.8	16	Q&E 16	16x1.8/2.2	3+1	3+1		
16x2.0	16	Q&E 16	16x1.8/2.2	4+1	4+1		
17x2.0	17/18x2.5	Q&E 17	17/18x2.5	8	8		
20x1.9/20x2.0	20	Q&E 20	20x1.9/2.0/2.3	5+2	6		
25x2.3	25	Q&E 25	25x2.3	8+2	10		
32x2.9	32	Q&E 32	32x2.9	15	16		
40x3.7	40	Q&E 40	H40x3.7*	-	-		

6 bar

9.9x1.1	9.9	Q&E 9.9	9.9x1.1	6	6	5
12x1.1	12	Q&E 12x1.1	12x1.7/1.8/2.0	7	9	8
14x2.0	14/15x2.5	Q&E 14	14/15x2.5	6	6	7
16x1.5/16x1.8	16	Q&E 16	16x1.8/2.2	3+1	4	4
16x2.0	16	Q&E 16	16x1.8/2.2	4+1	4+1	4+1
17x2.0	17/18x2.5	Q&E 17	17/18x2.5	8	8	8
20x1.9/20x2.0	20	Q&E 20	20x1.9/2.0/2.3	5+2	6	6
25x2.3	25	Q&E 25	25x2.3	8+2	10	9
32x2.9	32	Q&E 32	32x2.9	15	16	14
40x3.7	40	Q&E 40	H40x3.7*	-	7+1	7+1

*) H = only with Milwaukee tool M18

10 bar

12x1.7	12	Q&E 12x1.1	12x1.7/1.8/2.0	5+1	5+1	5
12x2.0	12	Q&E 12x1.1	12x1.7/2.0	4+2	4+1	4+1
16x2.2	16	Q&E 16	16x1.8/2.2	5+2	5+1	5+1
20x2.8	20	Q&E 20	20x2.8	10	11	11
25x3.5	25	Q&E 25	25x3.5	17	18	19
32x4.4	32	Q&E 32	H32x4.4*	-	7+3	8+2