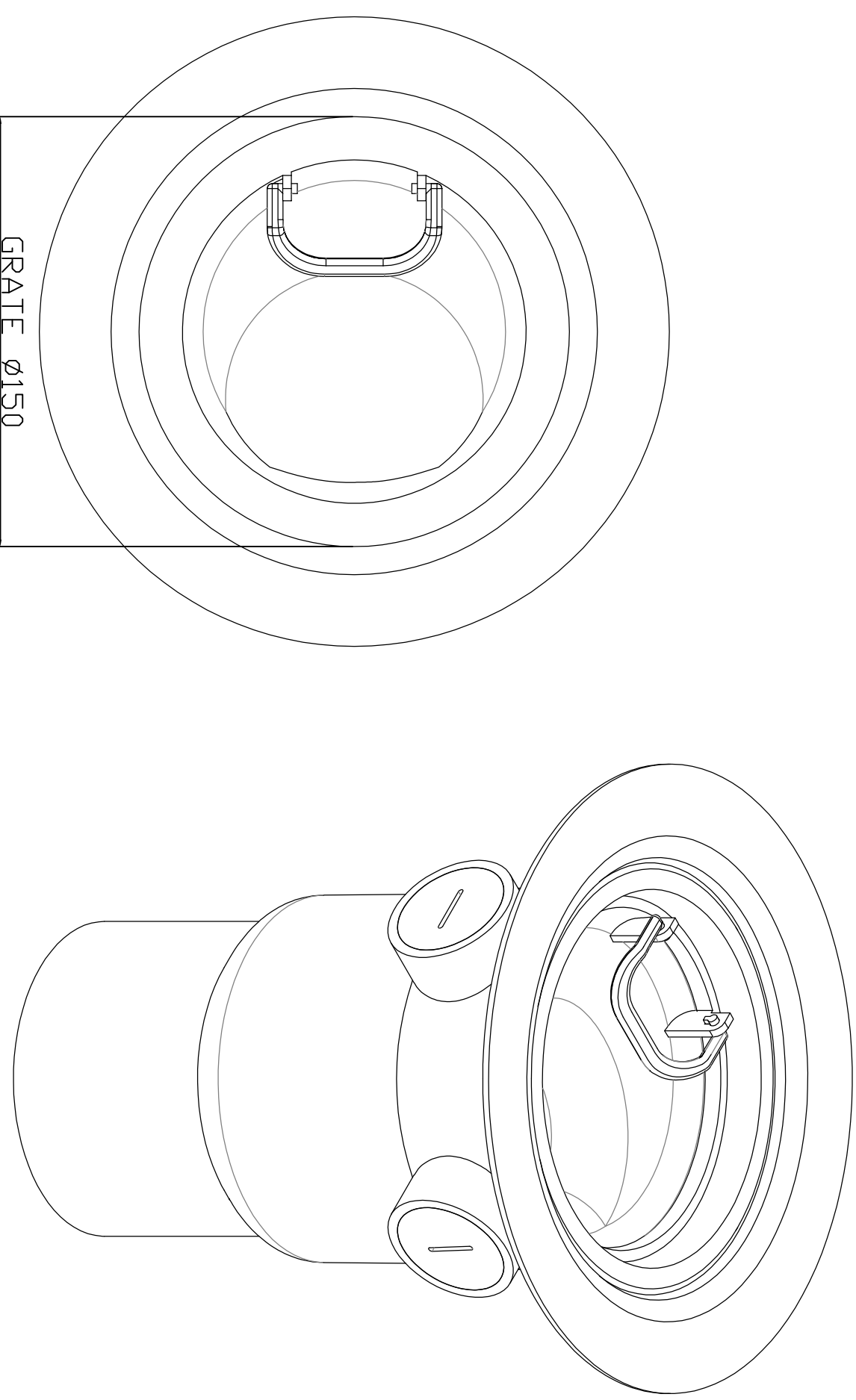


This document must not be copied without our written permission and the contents thereof must not be imparted to a third party nor be used for any unauthorized purpose; contravention will be prosecuted.



GRATE Ø150

220

244

110
75

Uponor product number		Material	Color/finish	Drawing no.
1093061		PP	Blue	00176375
Additional numbers		Scale	Drawn	NPä
LVI 3311605			Check,	01/2019
			Appr.	

uponor

Infrastructure and Environment Europe
Product Development

Description
DRAIN VERTICAL 75/110

