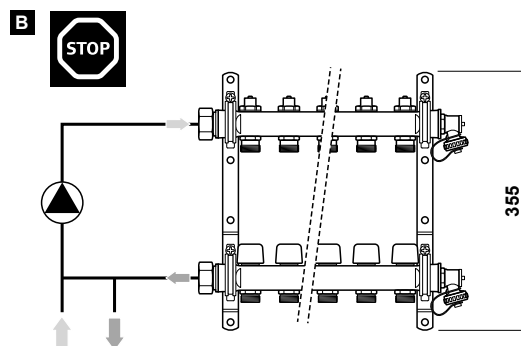
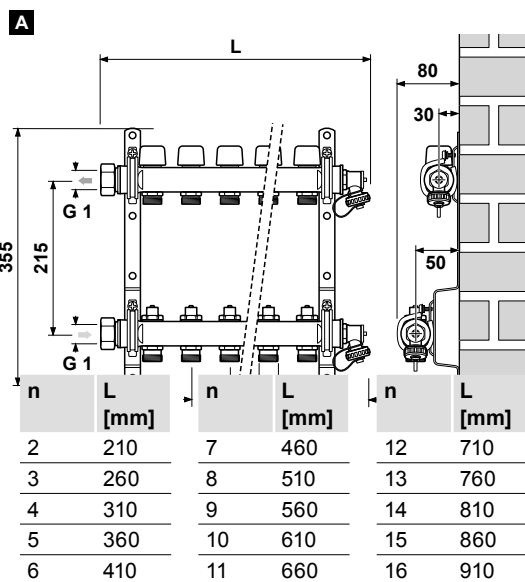
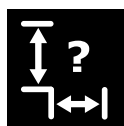
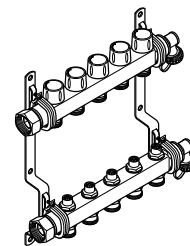


# Uponor

## Uponor Vario S manifold LS



$t_{sec} = 15 - 60^{\circ}\text{C}$



$P_{max} = 6 \text{ bar}$



$P_{test} = 10 \text{ bar}$



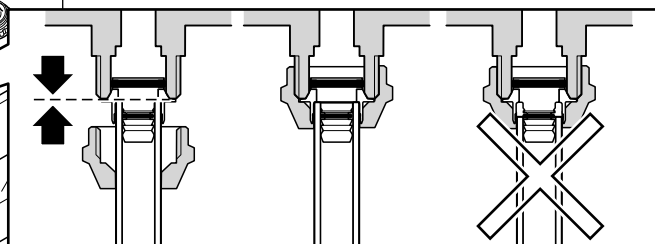
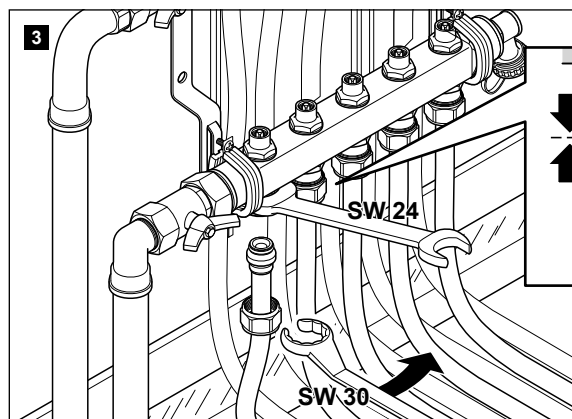
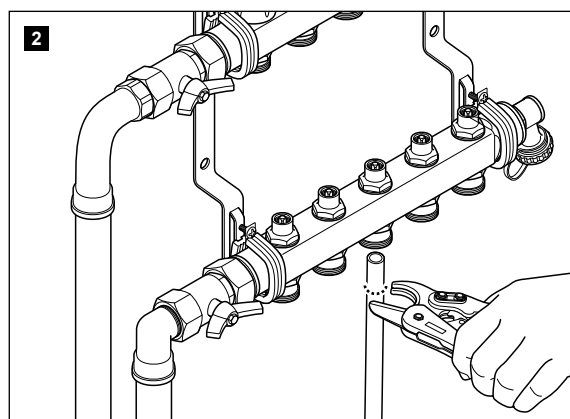
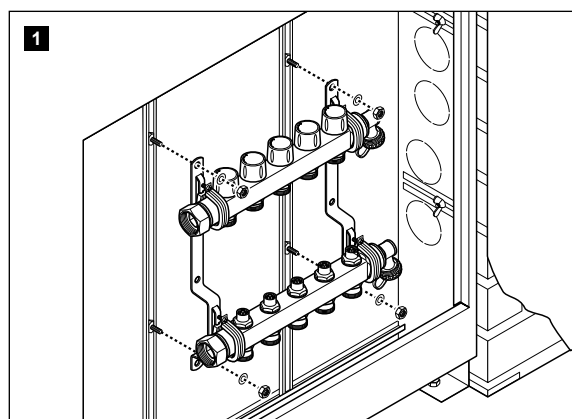
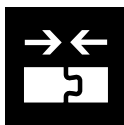
$kvs = 3,82 \text{ m}^3/\text{h}$

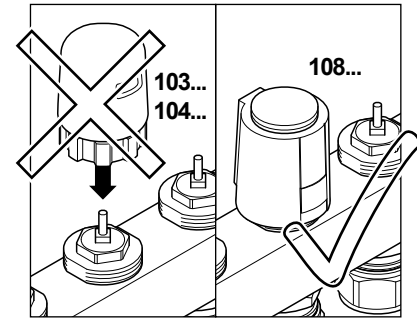
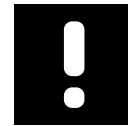
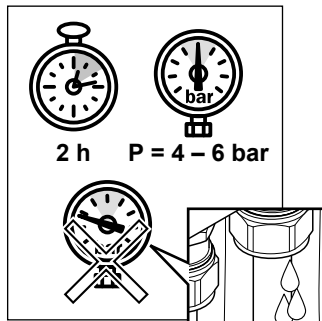
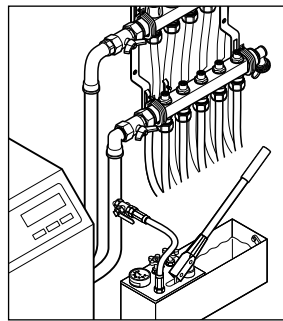
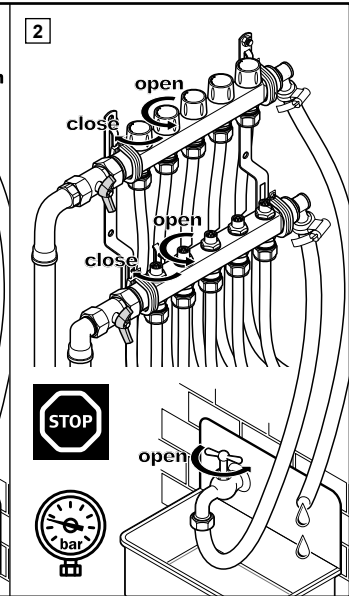
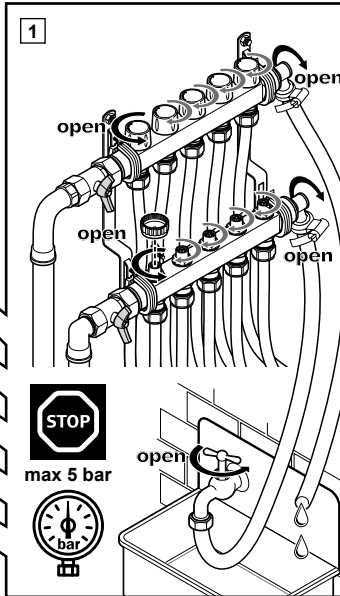
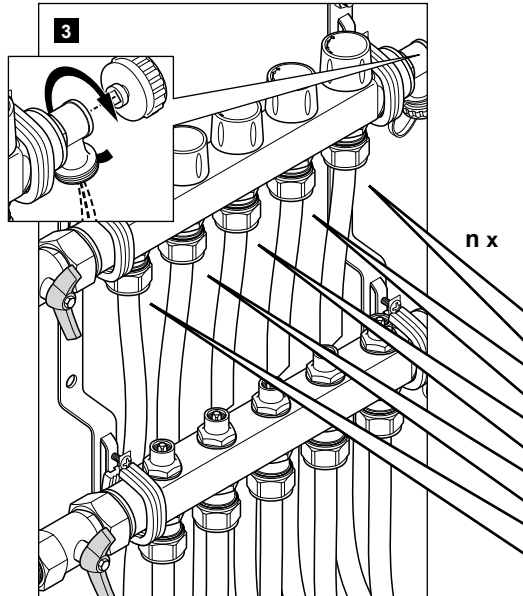
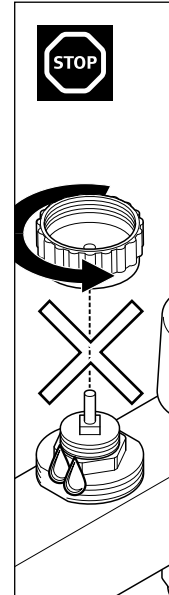
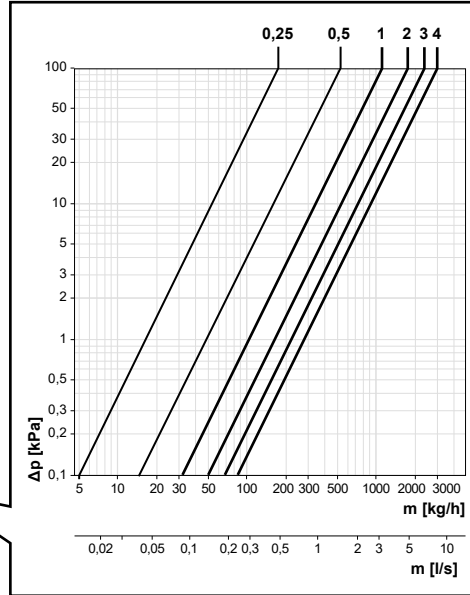
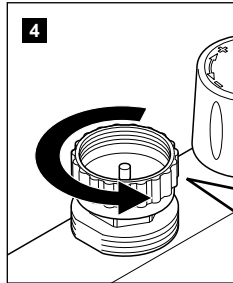
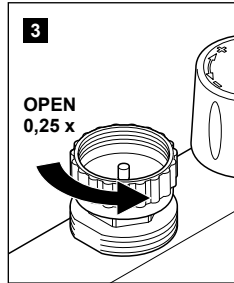
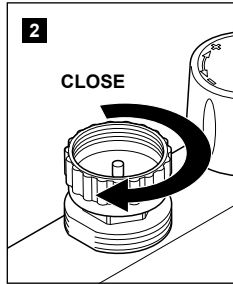
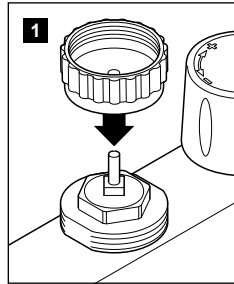


$kvs = 3,1 \text{ m}^3/\text{h}$



$\dot{V}_{max} = 5 \text{ m}^3/\text{h} (12 \text{ loops})$





**Uponor GmbH**  
 Industriestraße 56,  
 D-97437 Hassfurt, Germany

1087992\_05/2019 INT  
 Production: Uponor / ELO\_FME

Uponor reserves the right to make changes, without prior notification, to the specification of incorporated components in line with its policy of continuous improvement and development.



[www.uponor.com](http://www.uponor.com)