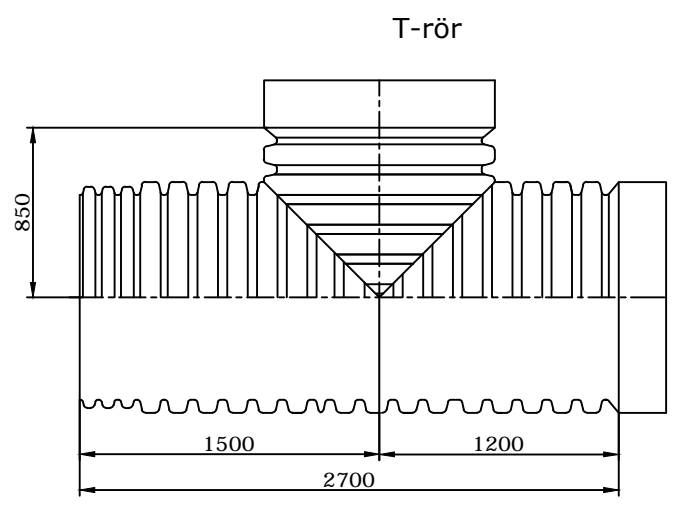
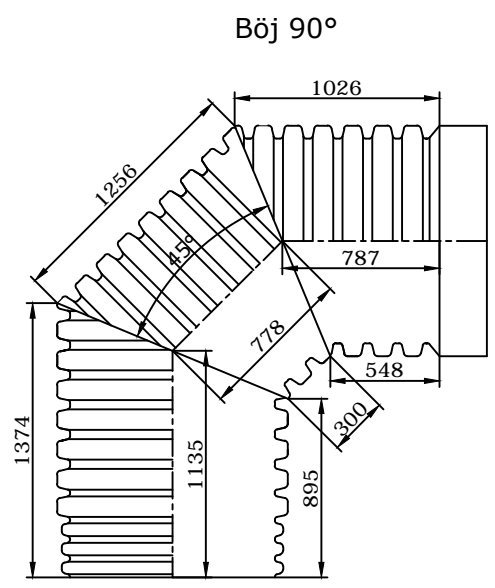
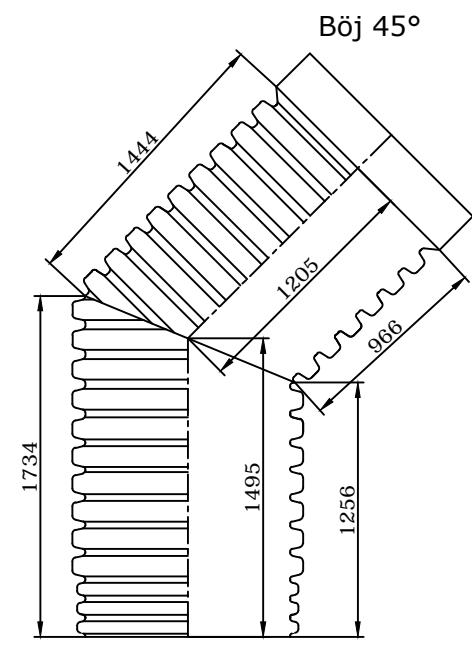
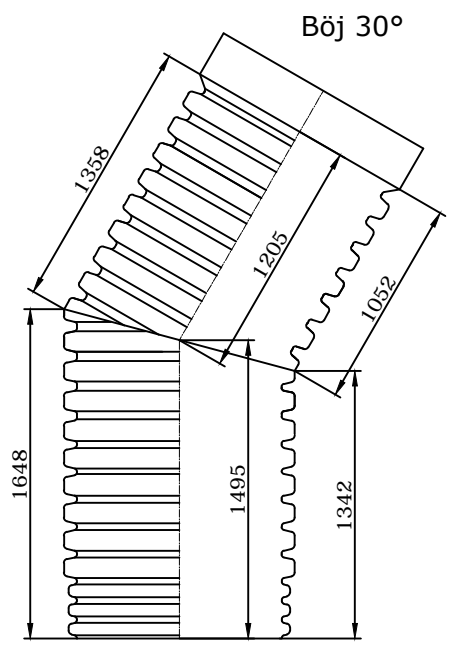
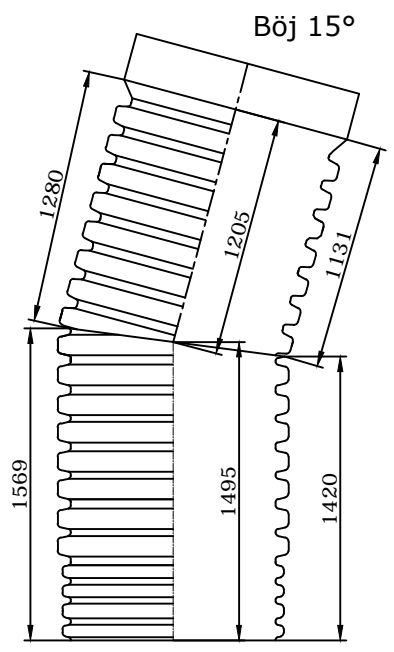


This document must not be copied without our written permission and the contents thereof must not be imparted to a third party nor be used for any unauthorized purpose, contravention will be prosecuted.



BEND ID1000 15° Uponor no. 1051765
 BEND ID1000 30° Uponor no. 1051766
 BEND ID1000 45° Uponor no. 1051767
 BEND ID1000 90° Uponor no. 1058172
 TEE BRANCH ID1000 Uponor no. 1051760

Change	Location	Change description	Date	Signature
A	B2-B1	NEW UPONOR NO. 1058172 ADDED	27.06.2011	M. HEINONEN
A	B2-B1	PRODUCT NAMES CHANGED	27.06.2011	M. HEINONEN

				PP	
Part	Name	Pcs	Material,color/Number/Tool no/Notes		
Surface	Volume	Weight	Scale	Drawn	27.06.2011 M. HEINONEN
Approvals	Markings		1:1	Check.	27.06.2011 R. JUUTI
Ass. Drw.	Prod. no			Appr.	27.06.2011 T. PARTANEN
			Title		Tooling
			DW FITTINGS ID 1000		
			BENDS AND TEE BRANCH		
			Uponor		Drawing no.
			Uponor Suomi Oy Nastola Finland		N01418A