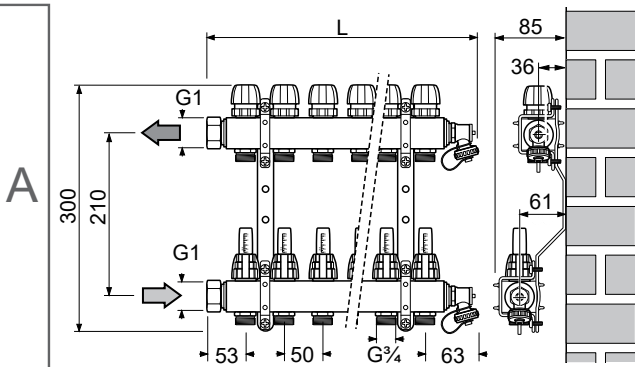
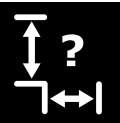
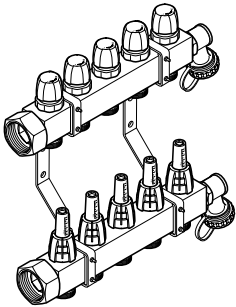
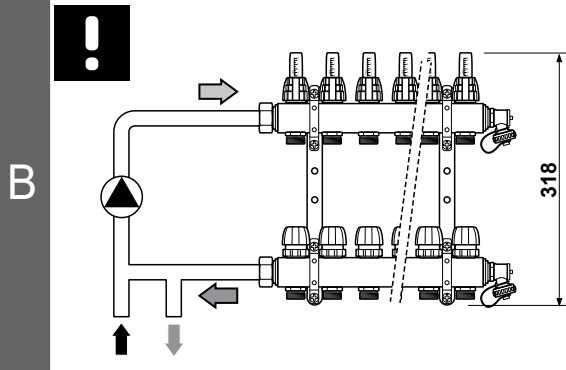


Uponor Vario C manifold FM



n	L [mm]	n	L [mm]
2	167	8	467
3	217	9	517
4	267	10	567
5	317	11	617
6	367	12	667
7	417		



$\vartheta_{sec} = 15 - 60^{\circ}C$



$P_{max} = 6 \text{ bar}$



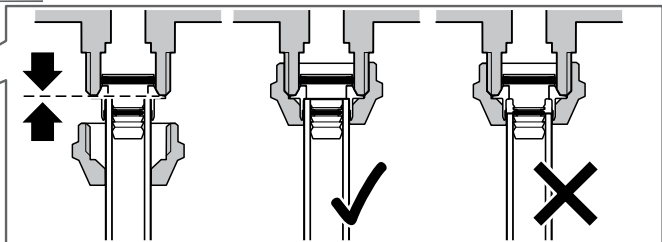
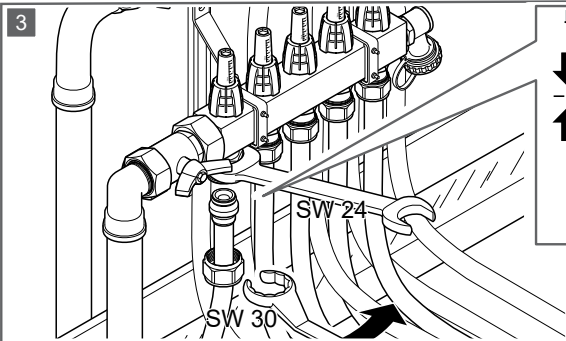
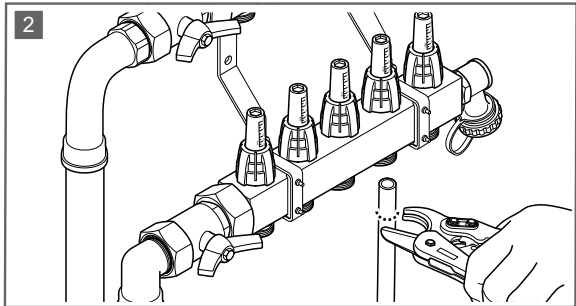
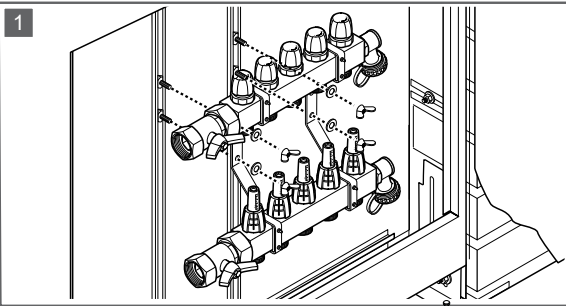
$P_{test} = 10 \text{ bar}$



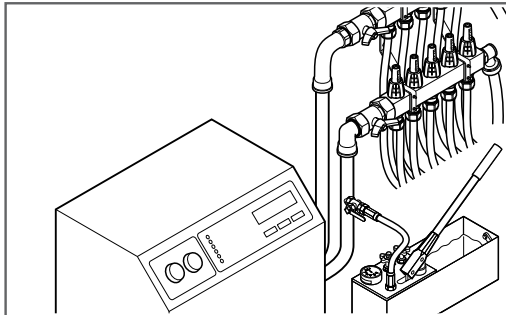
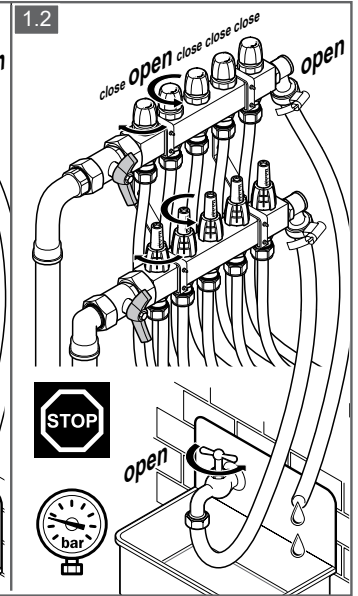
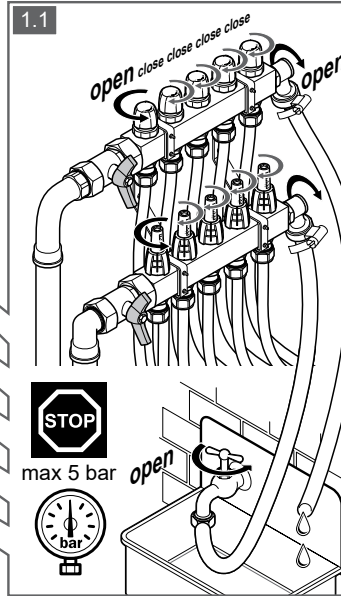
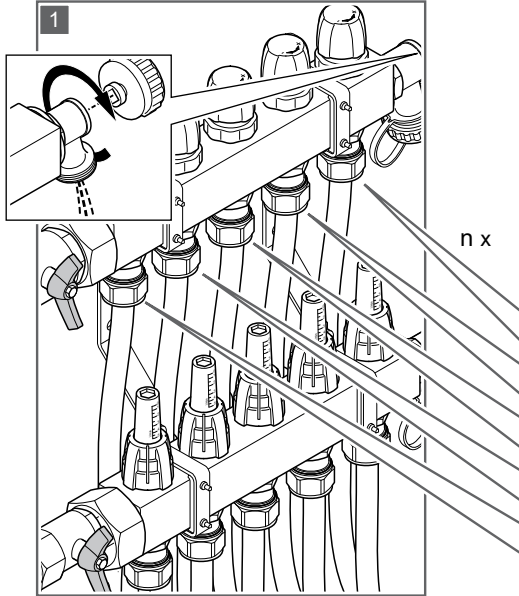
$kvs = 0,93 \text{ m}^3/h$



$\dot{V}_{max} = 3,6 \text{ m}^3/h$
(12 loops)



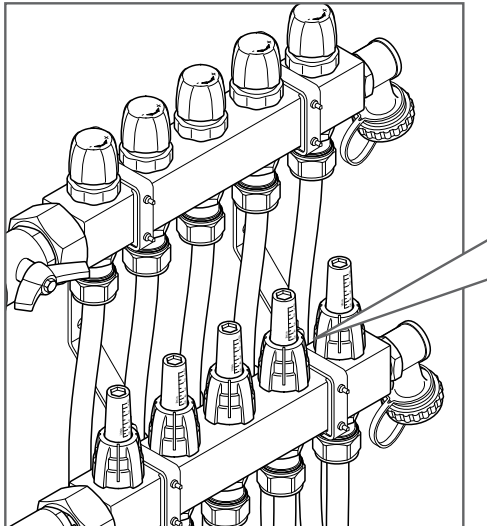
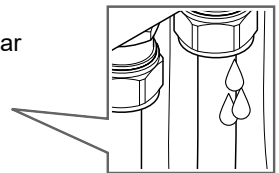
max. 25-30 Nm



2 h



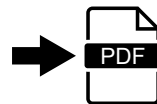
P = 4 – 6 bar



1	1	2 l/m	0,5
1	2	5 l/m	3
2	3	2 l/m	0,5
3	4	4 l/m	4
4	5	1,5 l/m	2



Uponor Vario C



www.uponor.com/services/download-centre

Uponor GmbH

Industriestraße 56,
D-97437 Hassfurt, Germany

1122087 v2_03_2022
Production: Uponor / SDE_FM

Uponor reserves the right to make changes, without prior notification, to the specification of incorporated components in line with its policy of continuous improvement and development.



www.uponor.com