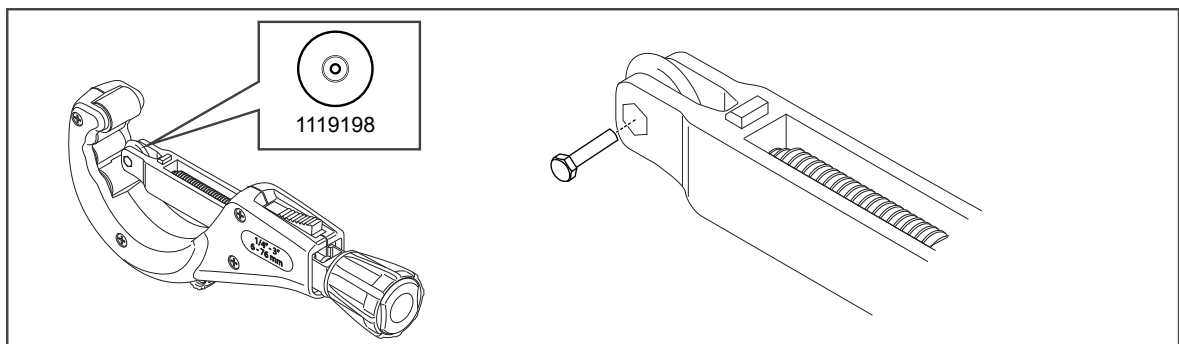
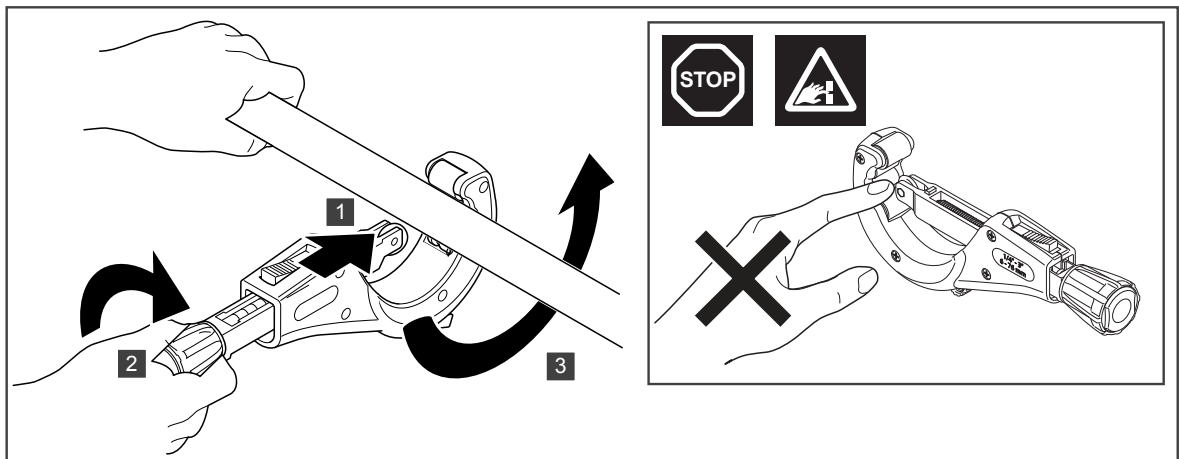
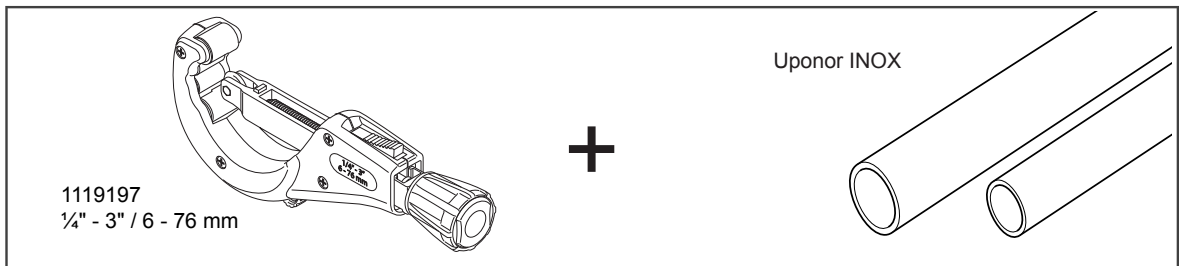
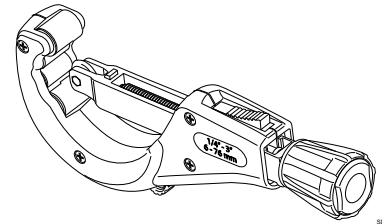
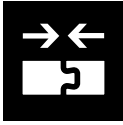


Uponor INOX pipe cutting tool



Uponor GmbH

Industriestraße 56,
D-97437 Hassfurt, Germany

1119967 v1_01_2021_INT
Production: Uponor/DCO

Uponor reserves the right to make changes, without prior notification, to the specification of incorporated components in line with its policy of continuous improvement and development.

