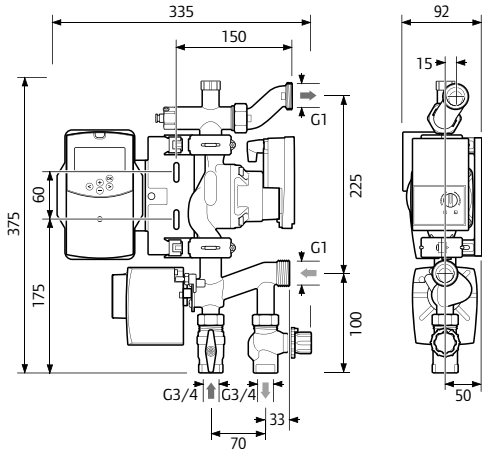


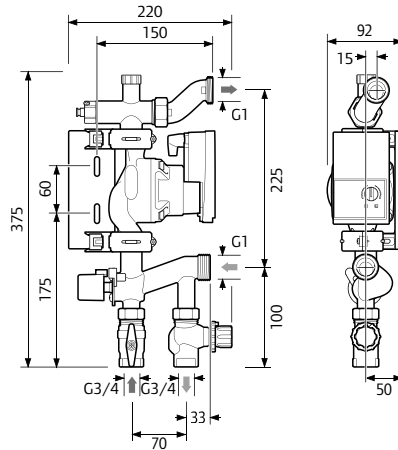
Uponor Fluvia Move Pumpgroup MPG



MPG-10-A



MPG-10-B



$Q_{max} = 10 \text{ kW}$



$\vartheta_{sec} = 15 - 55^\circ\text{C}$



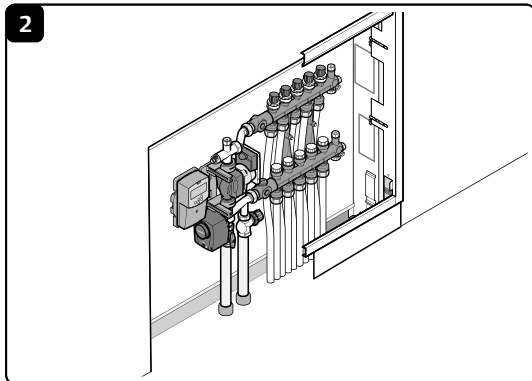
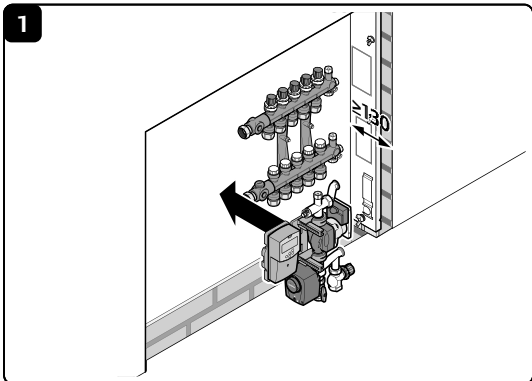
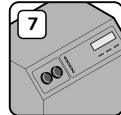
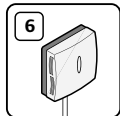
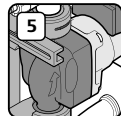
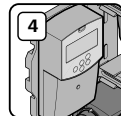
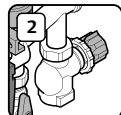
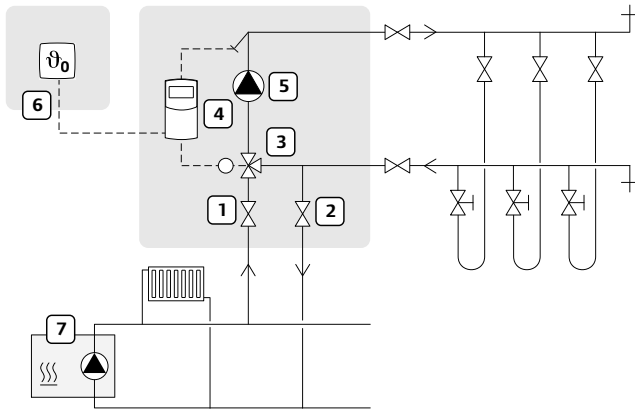
$kvs = 5 \text{ m}^3/\text{h}$

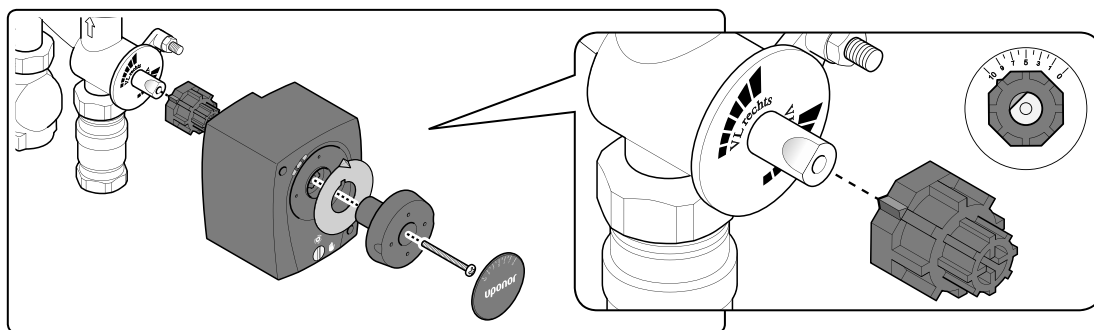
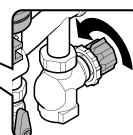
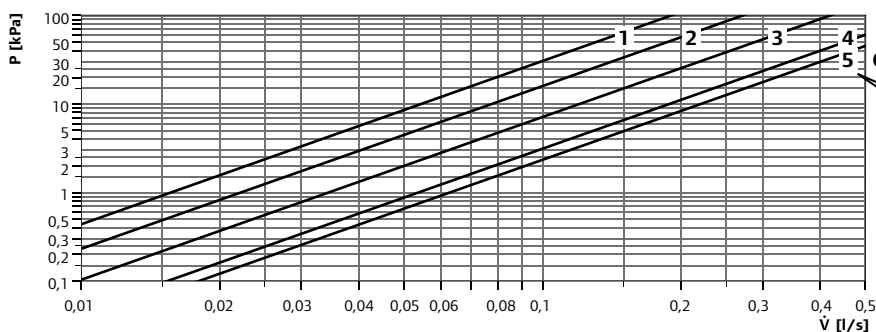
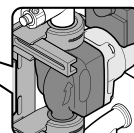
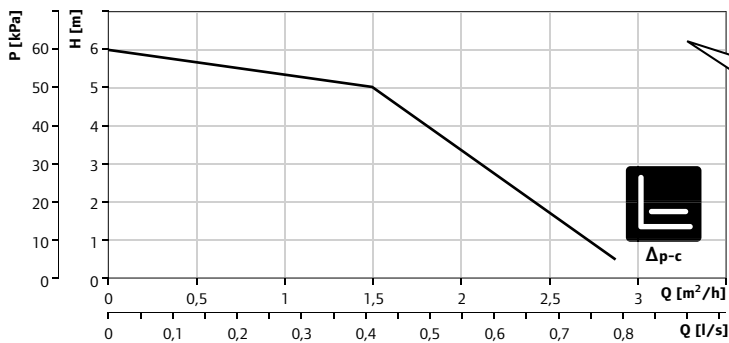
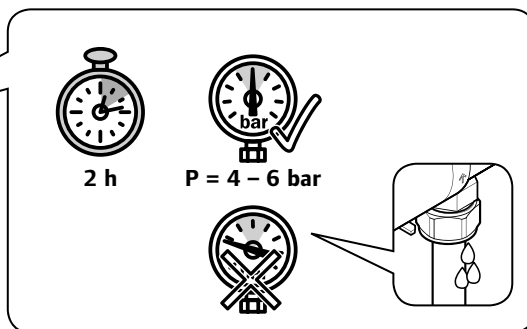
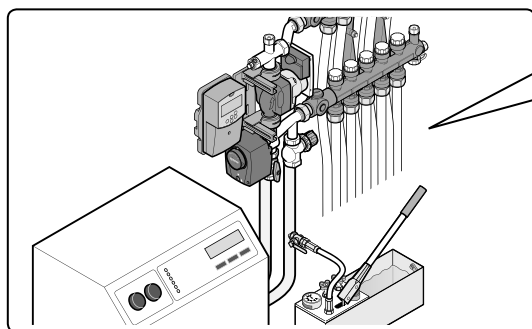


$P_{max} = 6 \text{ bar}$



15 Ltr/h





Uponor Corporation
www.uponor.com

Uponor reserves the right to make changes, without prior notification, to the specification of incorporated components in line with its policy of continuous improvement and development.

uponor