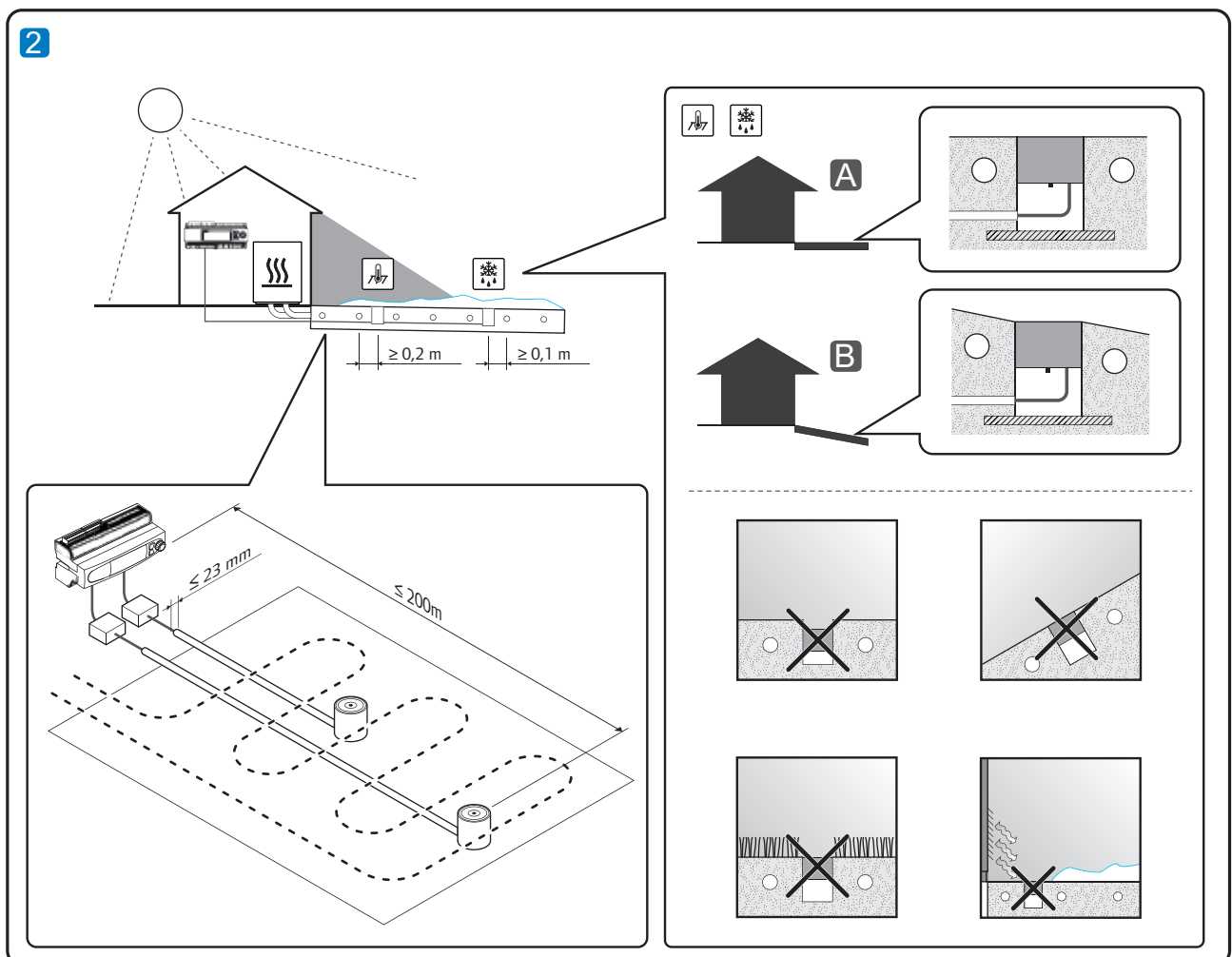
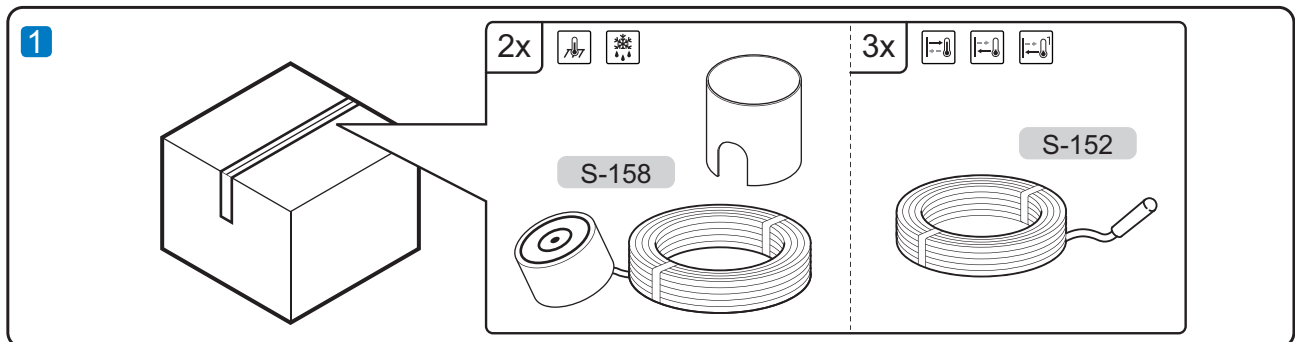
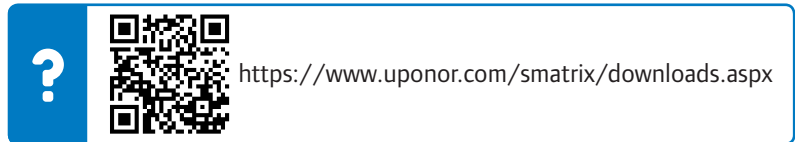
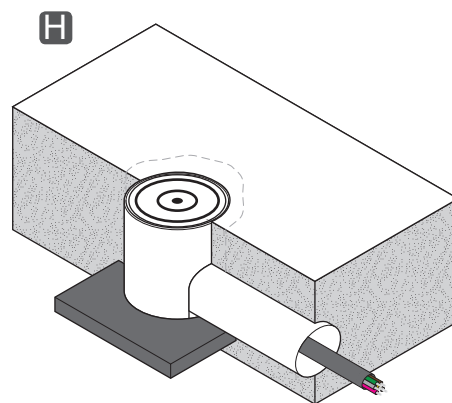
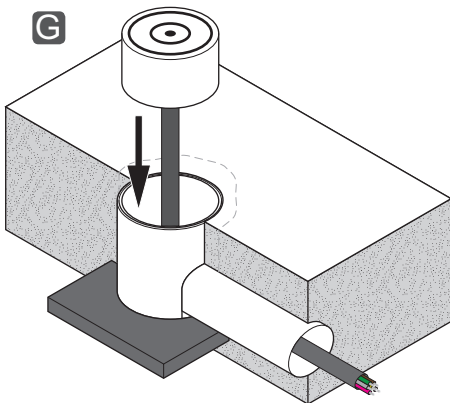
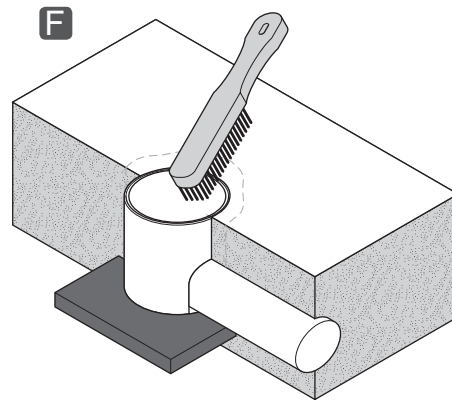
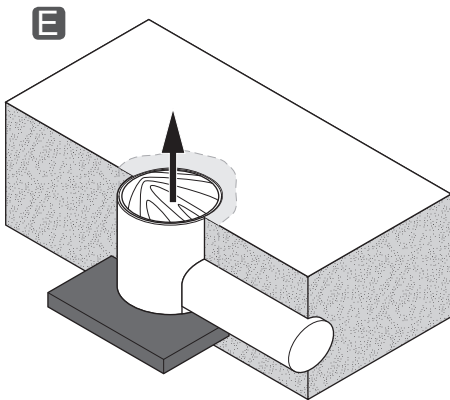
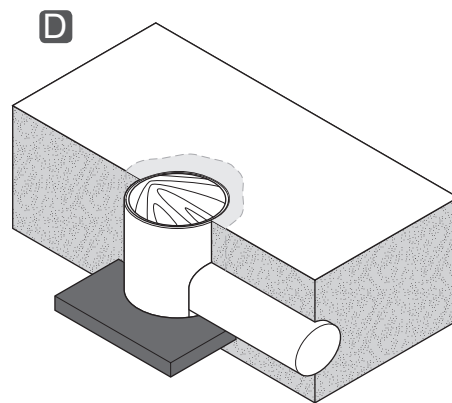
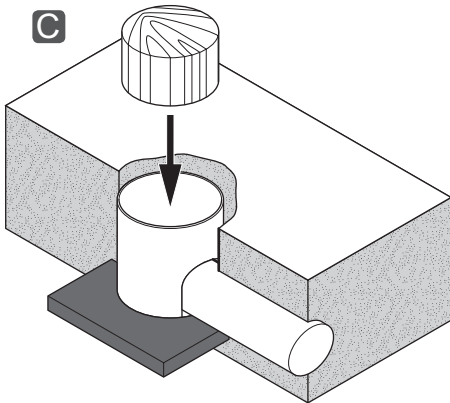
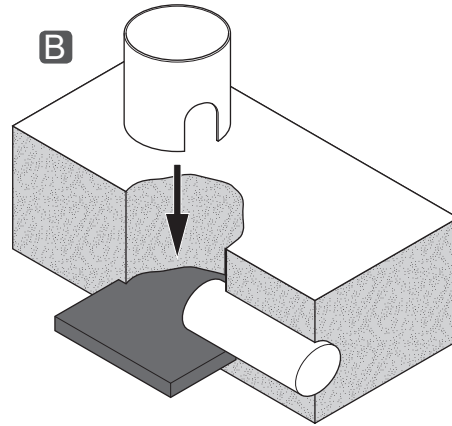
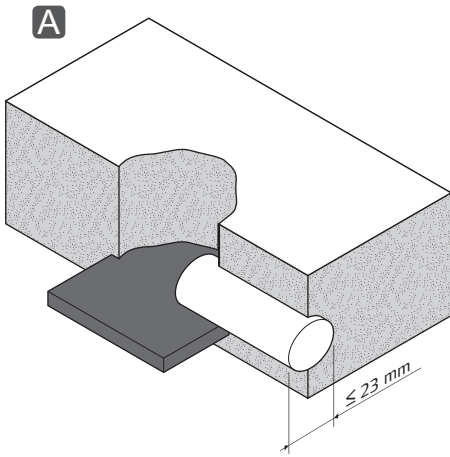


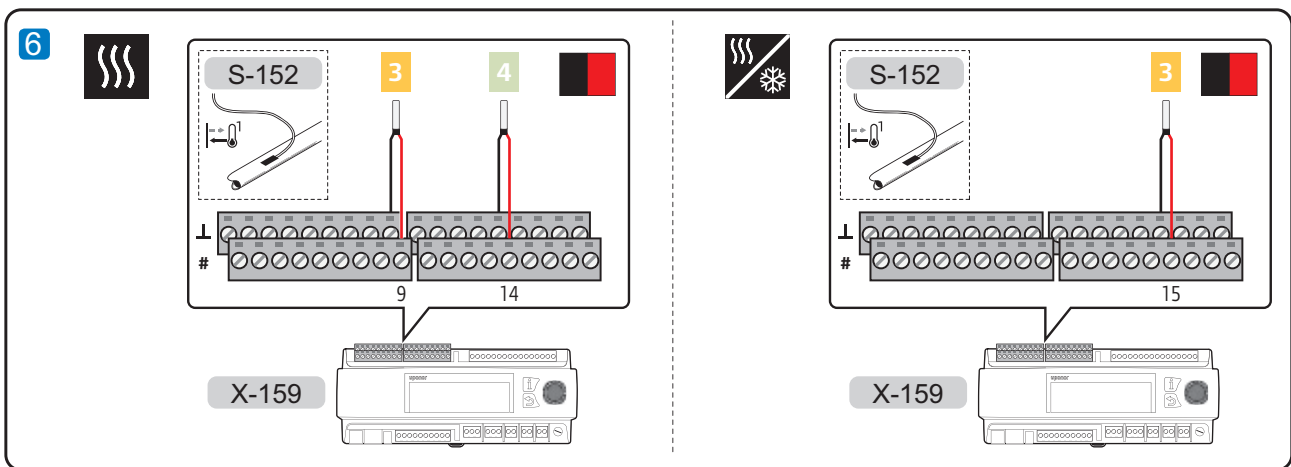
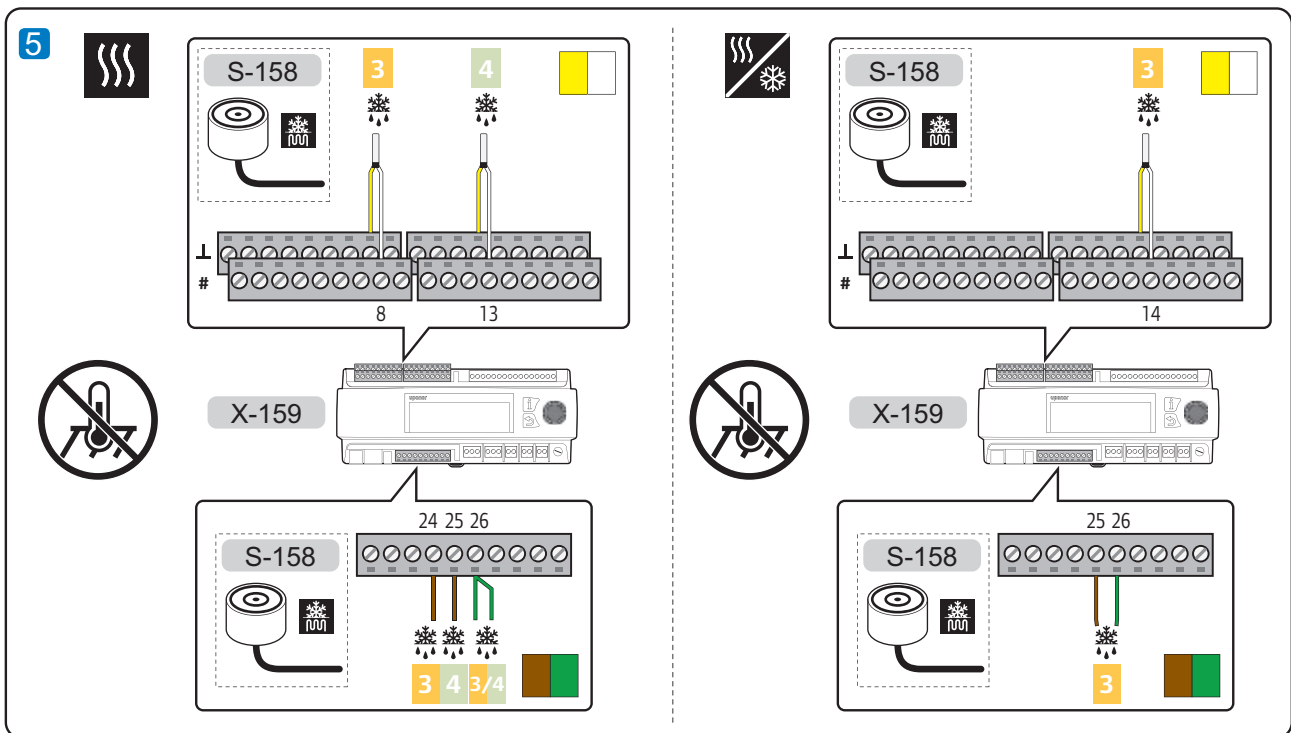
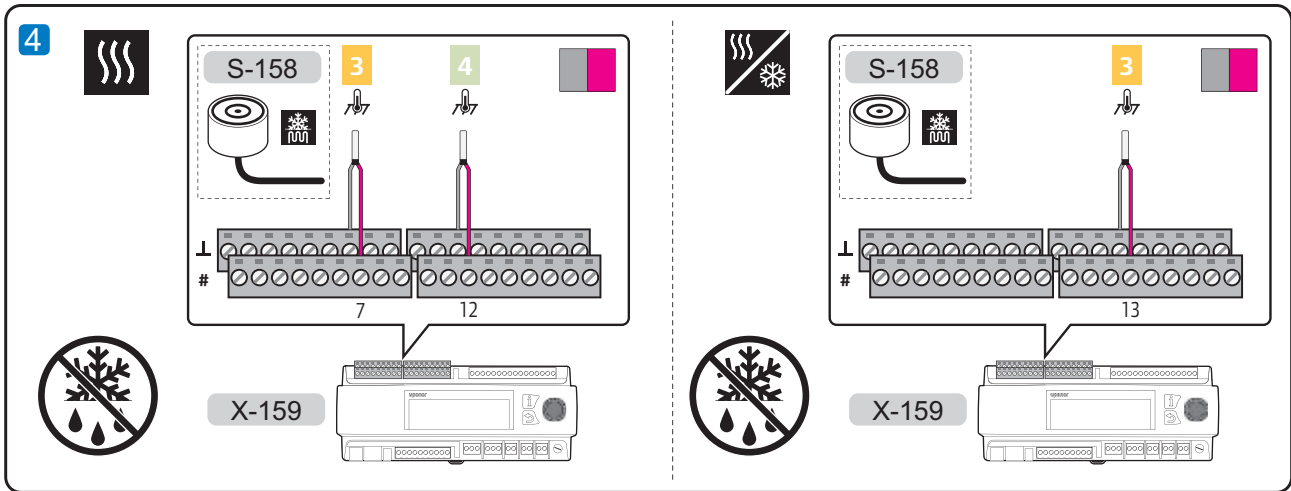
Uponor Smatrix Move PRO Snowmelt Set S-152 + S-158

QUICK GUIDE

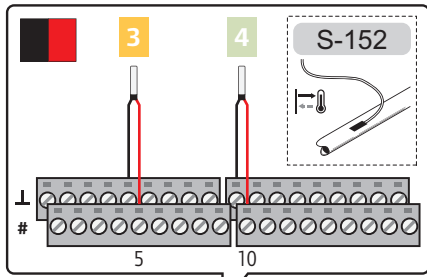


3

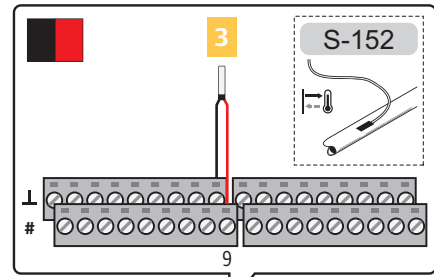
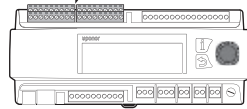




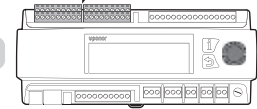
7



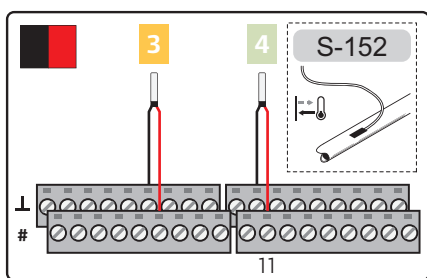
X-159



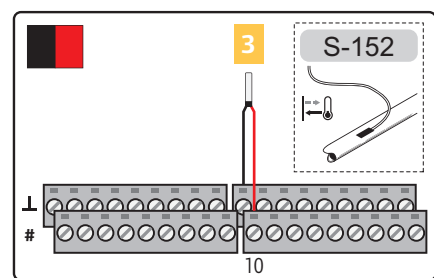
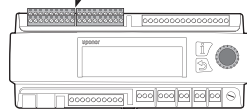
X-159



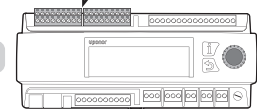
8



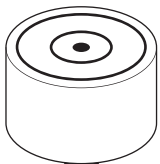
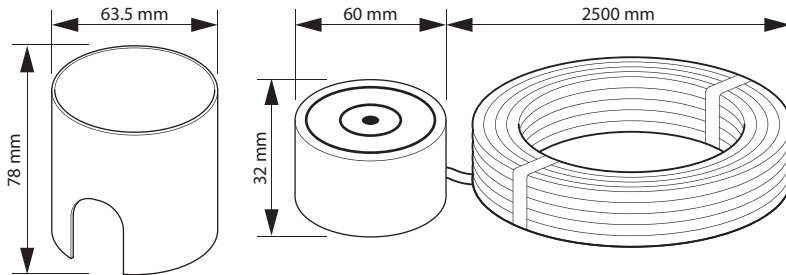
X-159



X-159



9



NTC 10
-50 °C...+100 °C, ±0.1 °C

NTC 10
-50 °C...+100 °C, ±0.1 °C

NEMA 6P / IP 68

-50...70 °C

6 x 0.15 mm² (≤25 m)

NTC 10
-50 °C...+100 °C, ±0.1 °C

220 Ω +/- 10%
0,1 A @24V

R_{OFF} = ∞ Ω
R_{ON} < 2MΩ