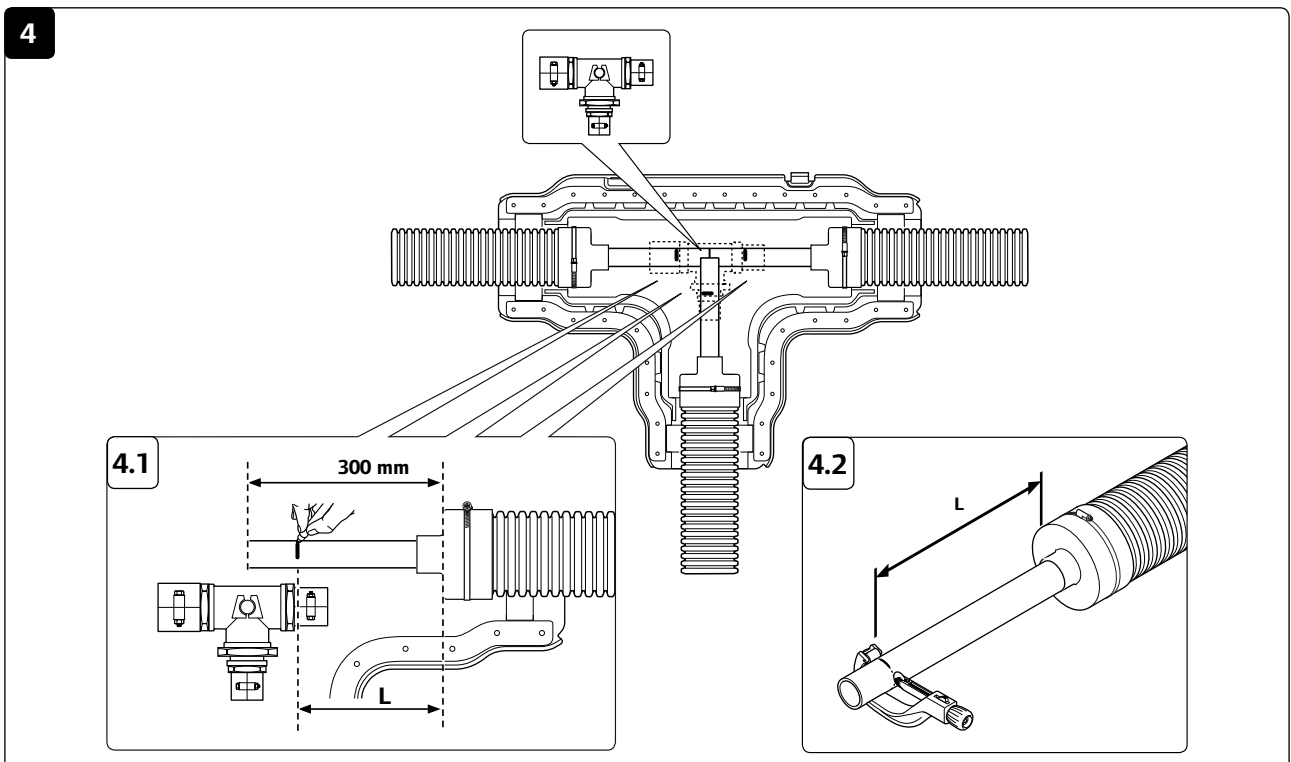
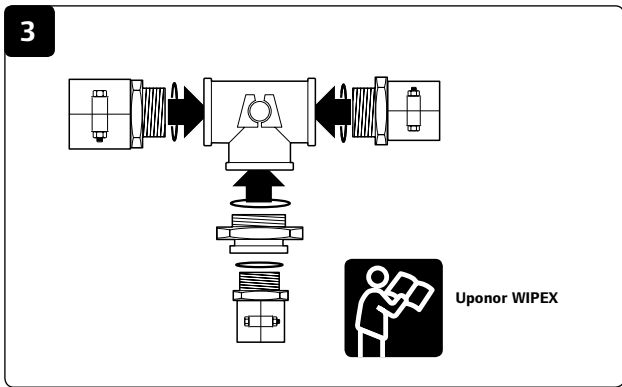
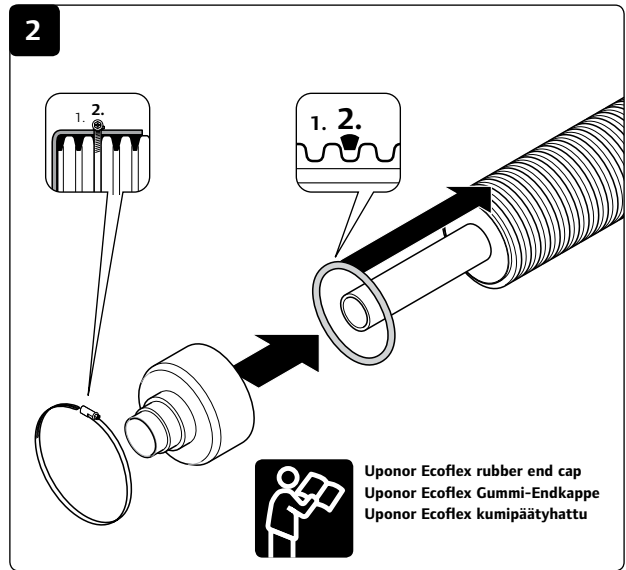
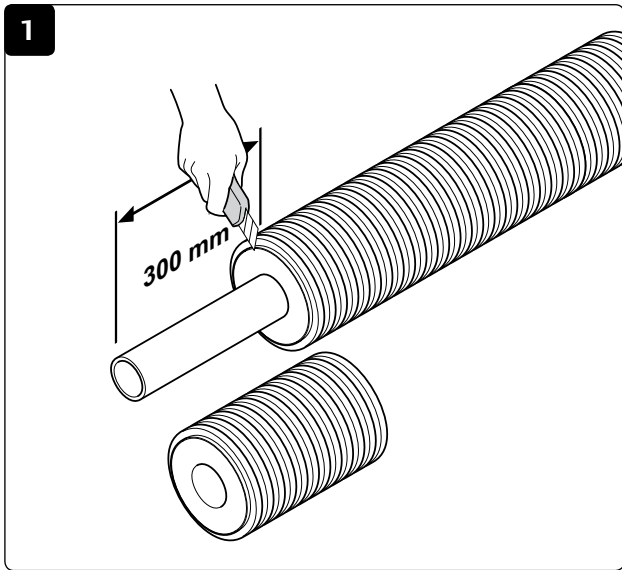


Uponor Ecoflex insulation sets

UK MOUNTING INSTRUCTION

DE MONTAGEANLEITUNG

FI ASENNUSOHJE



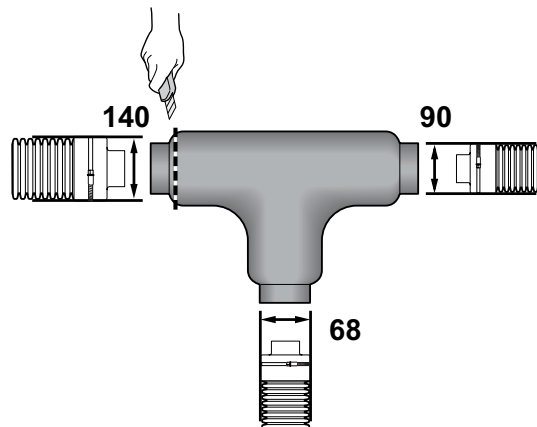
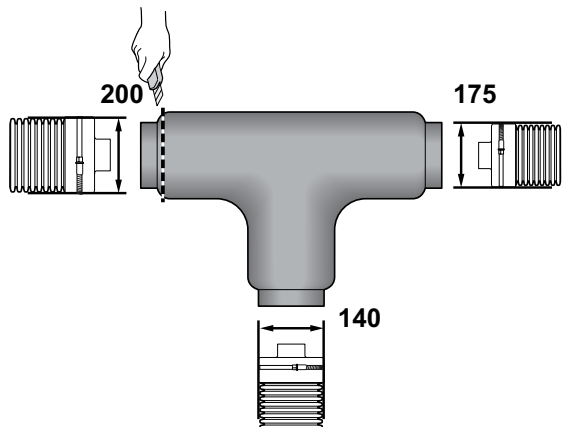
5

T-insulation set (200/175/140): 1060982; 1061642; 1061644

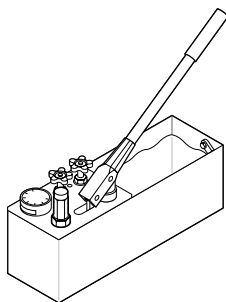
T-insulation set (140/90/68): 1060986; 1061641; 1061643

Elbow insulation set (200): 1060985

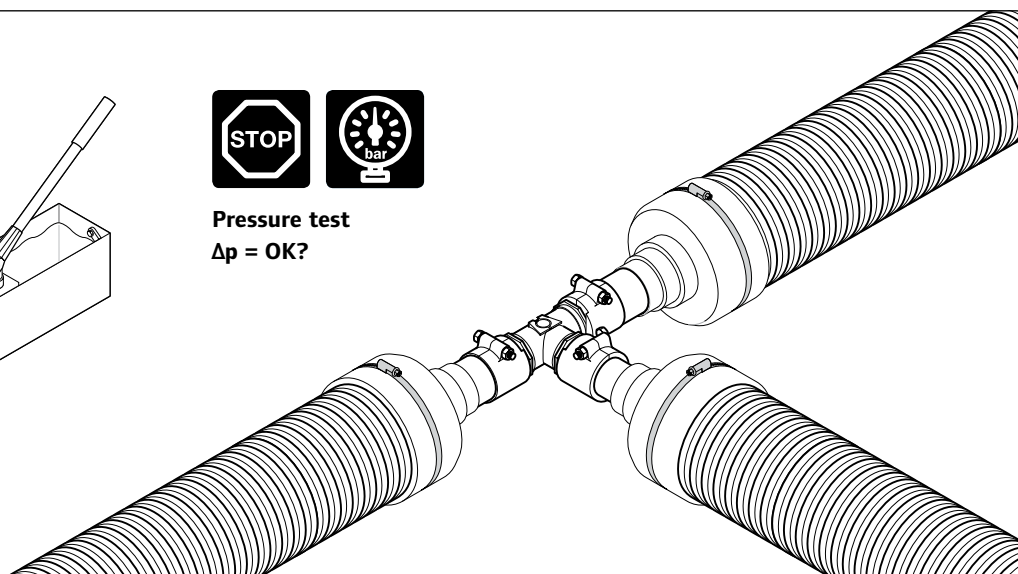
Straight insulation set (200): 1060984



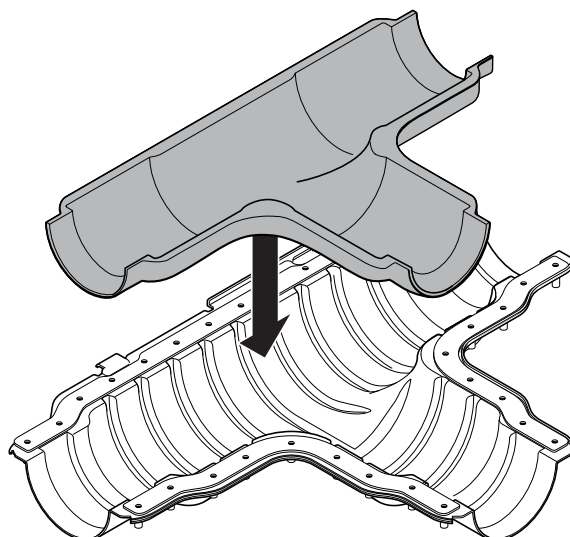
6



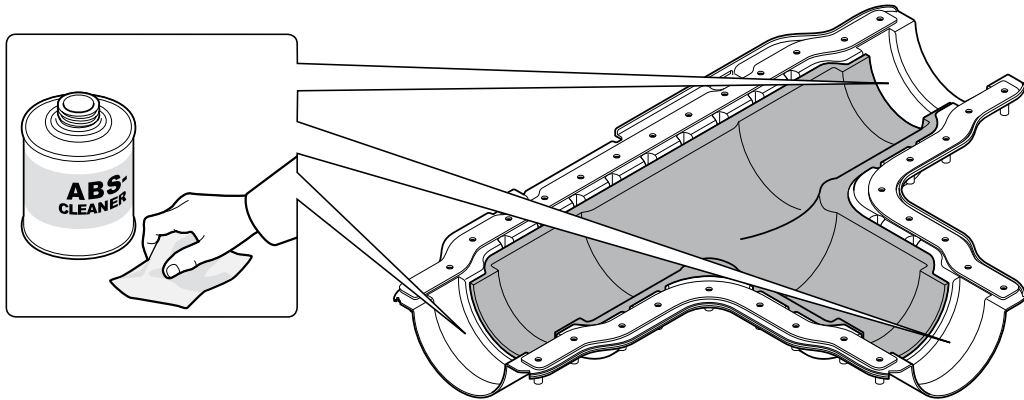
Pressure test
 $\Delta p = \text{OK?}$



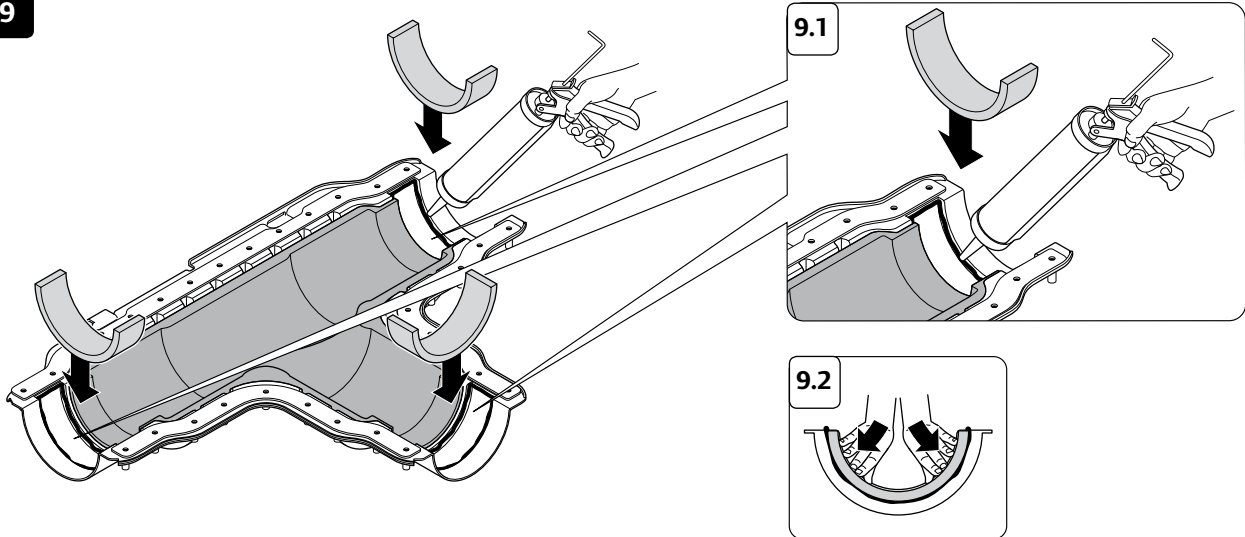
7



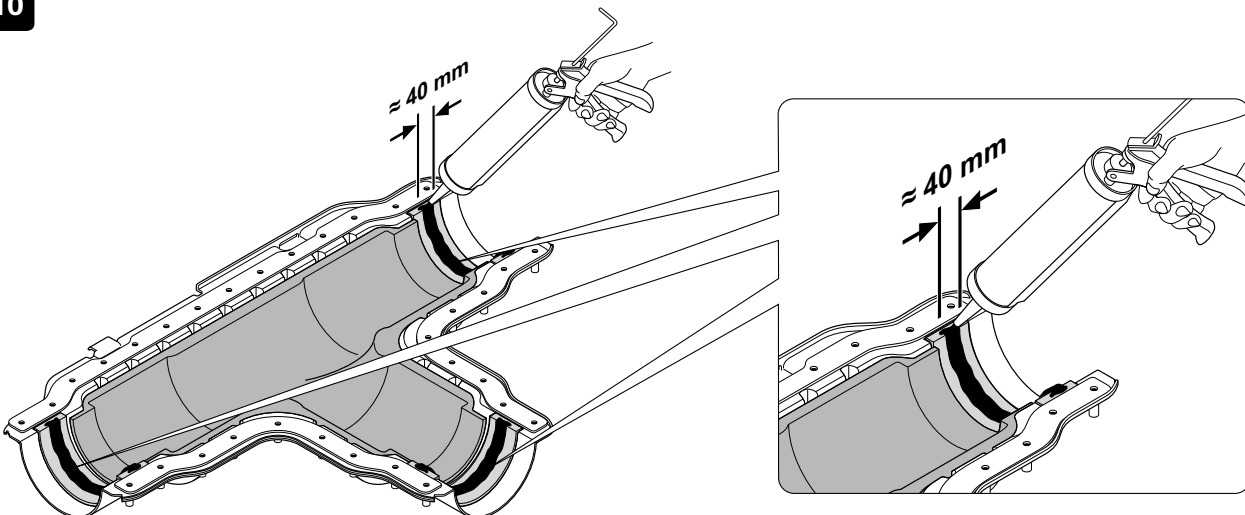
8



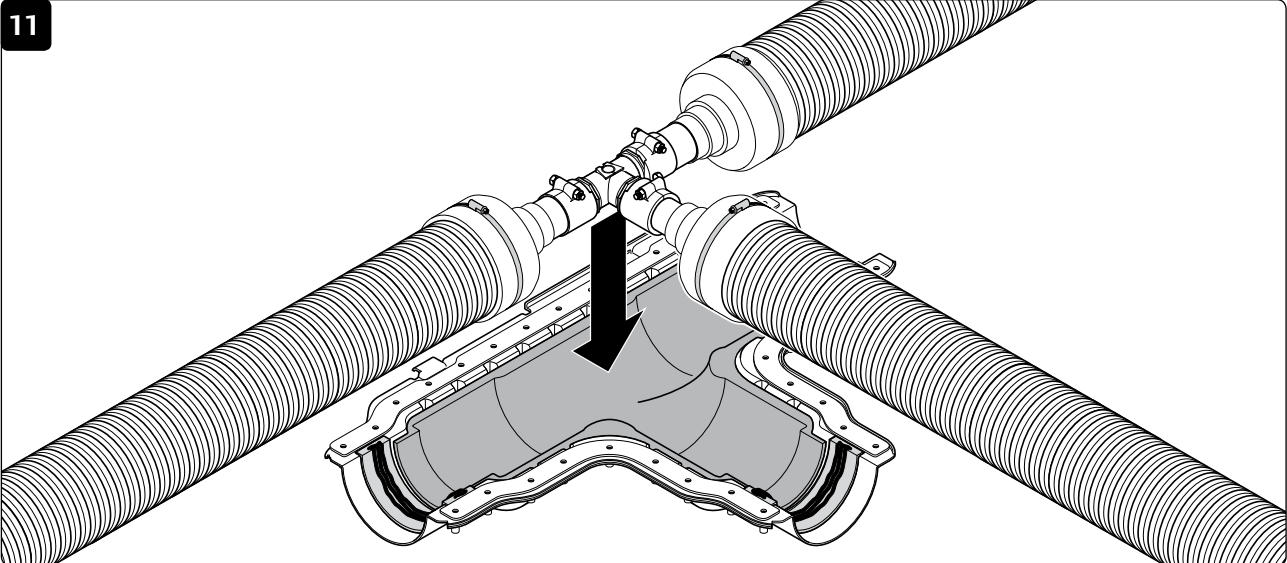
9



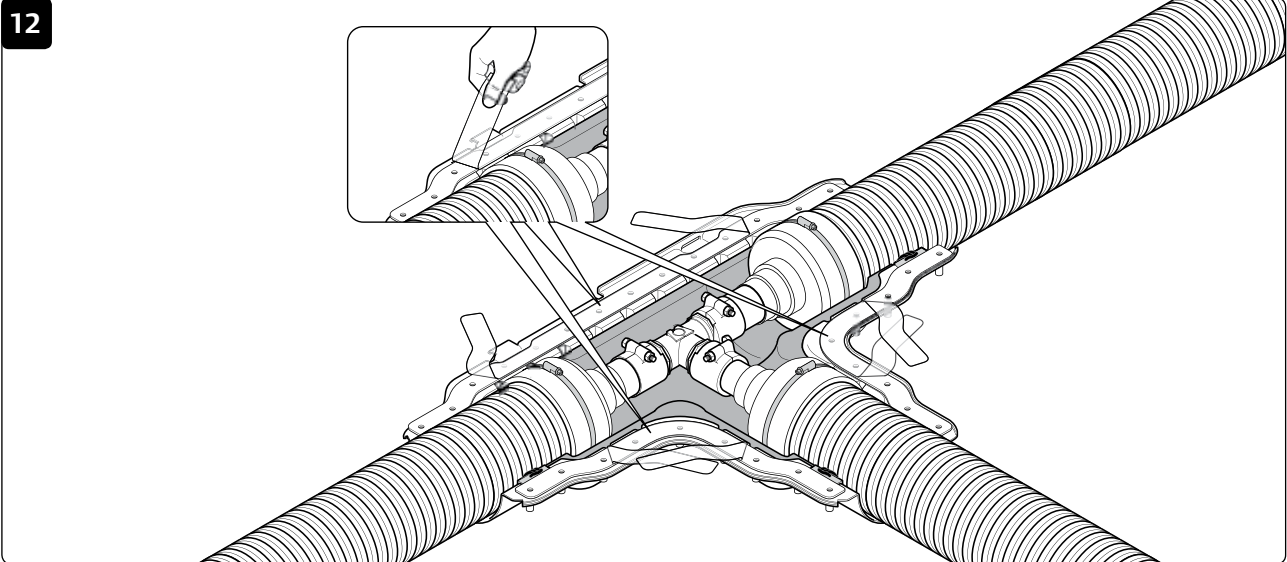
10



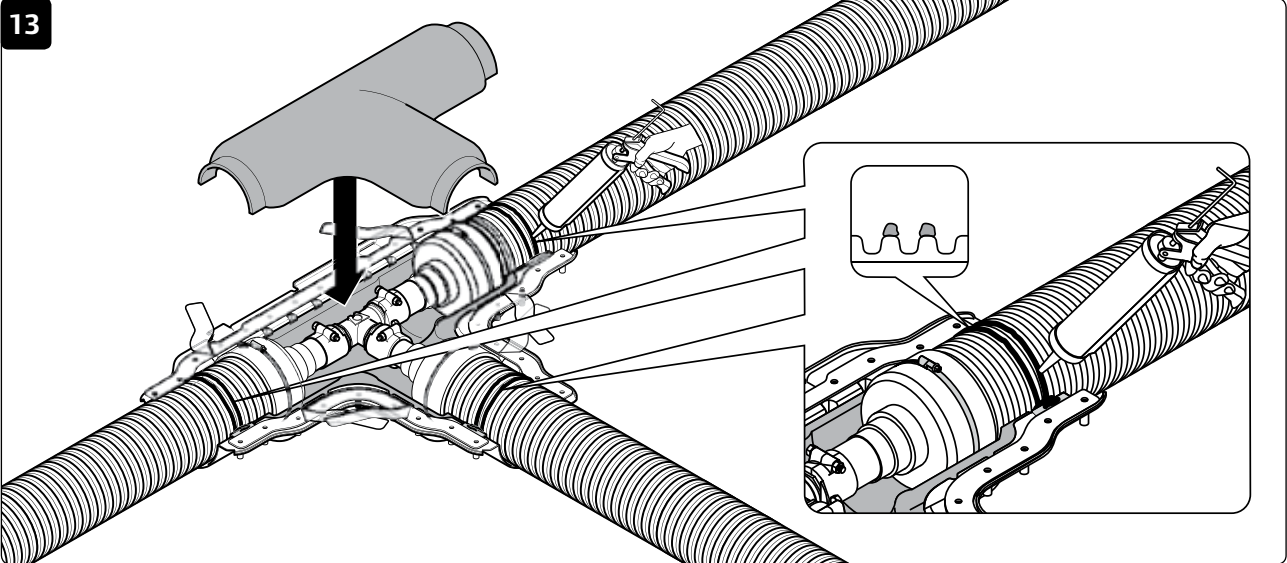
11



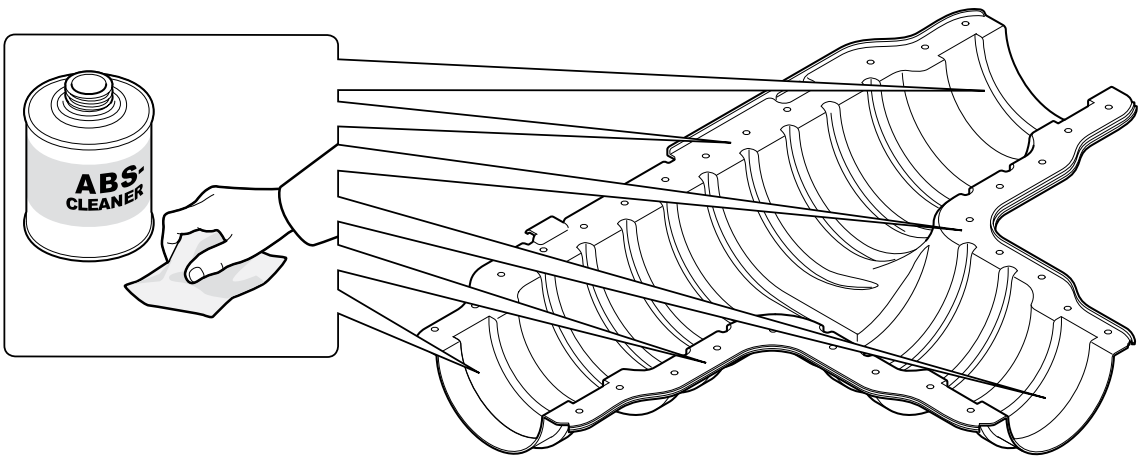
12



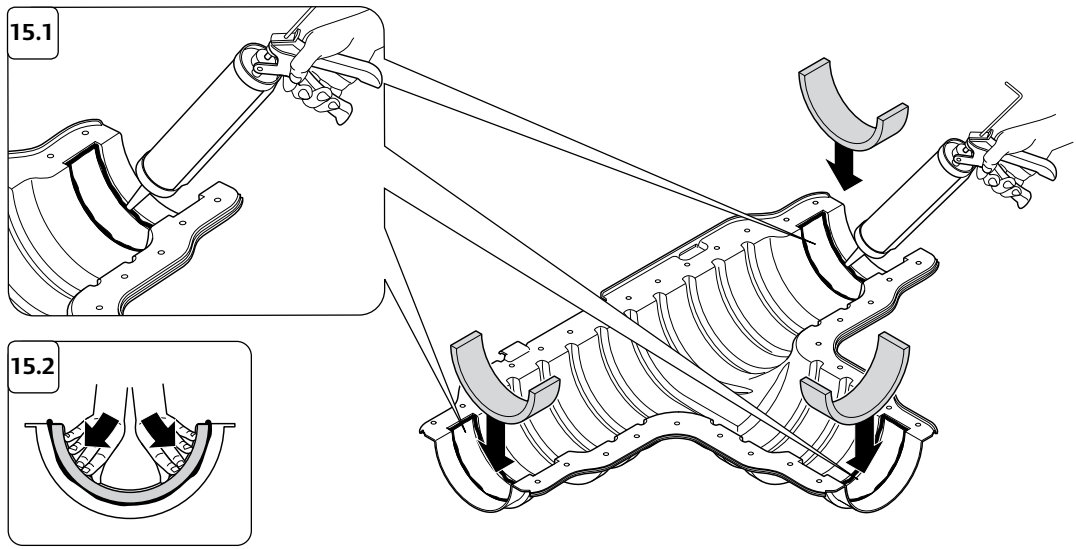
13



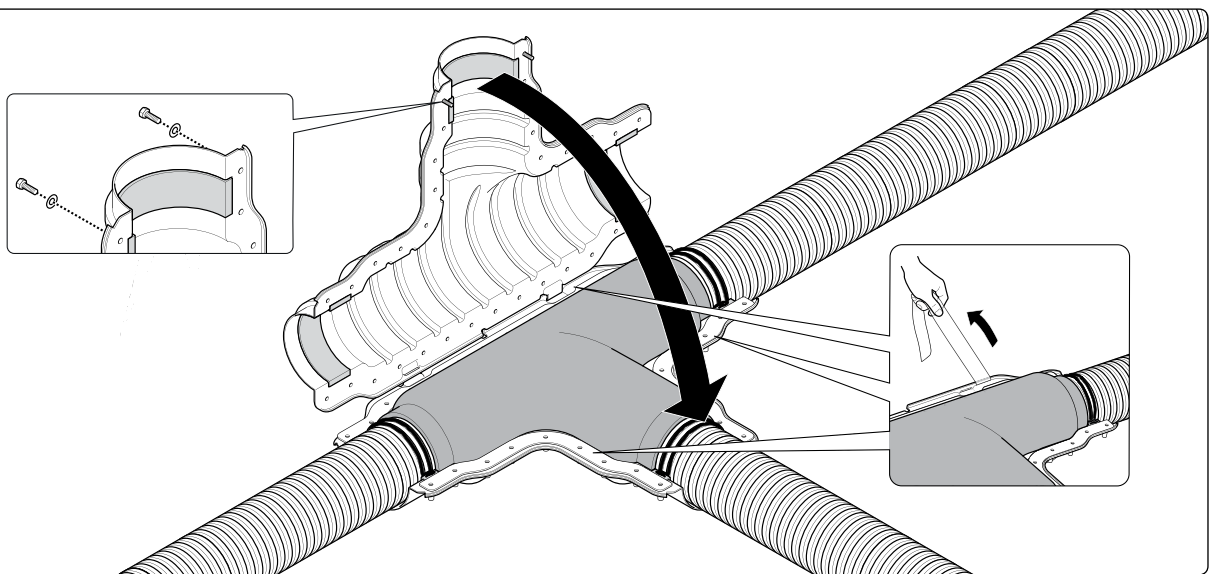
14



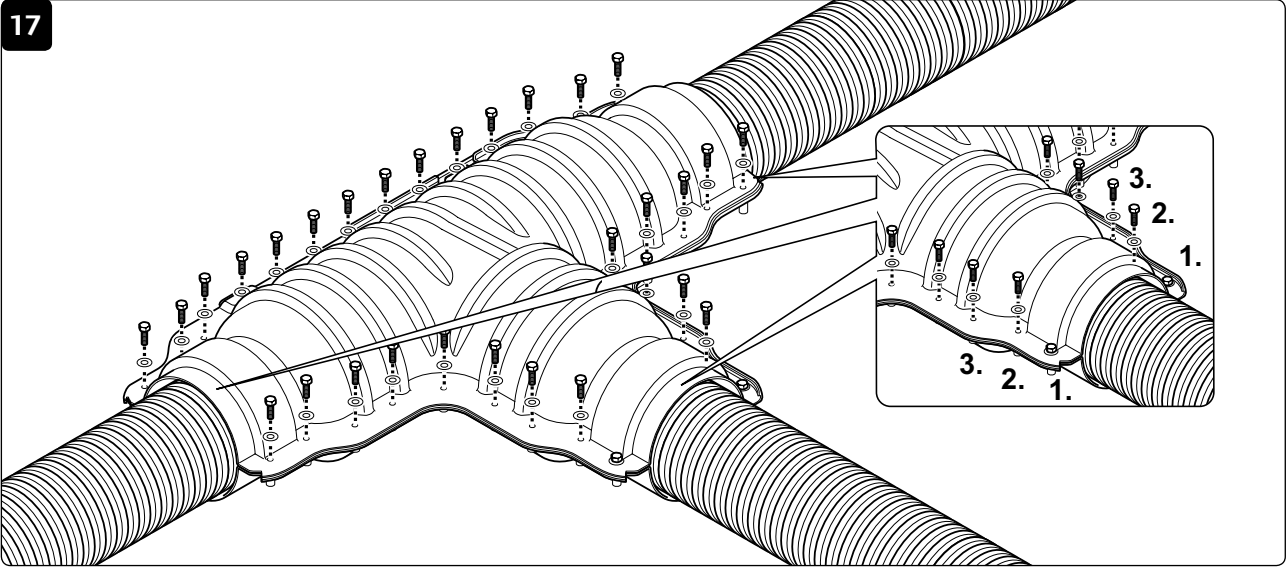
15



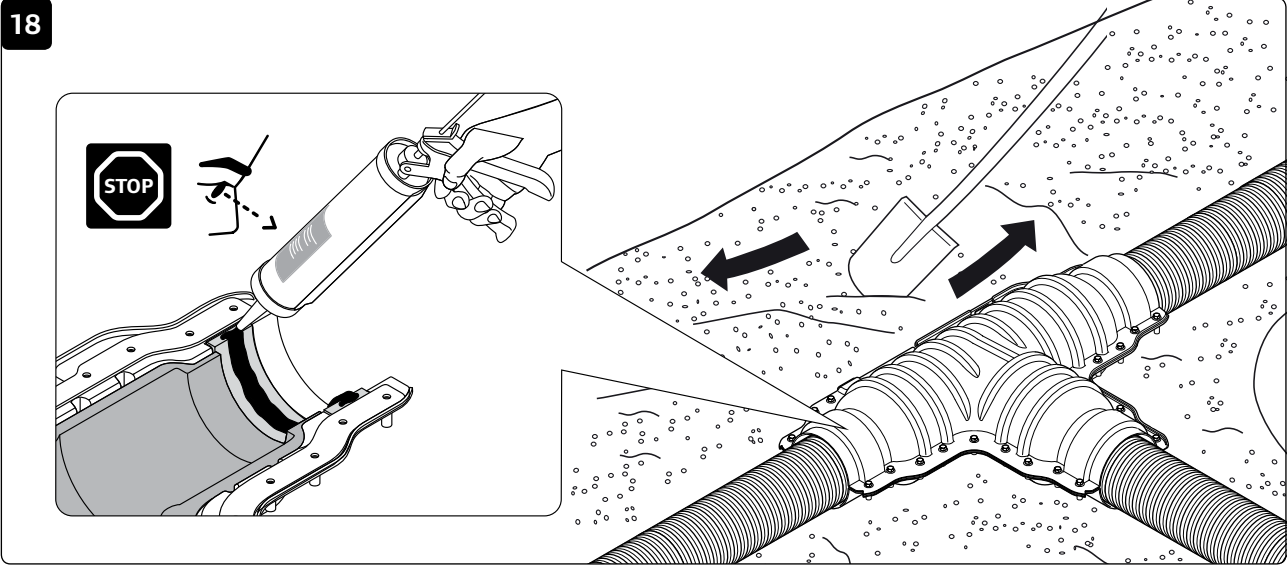
16



17

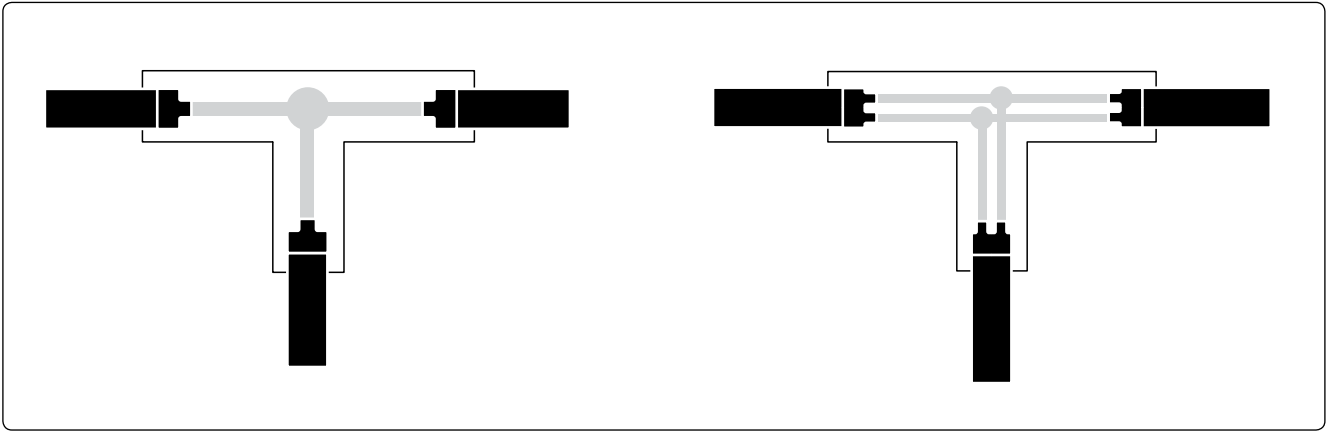


18

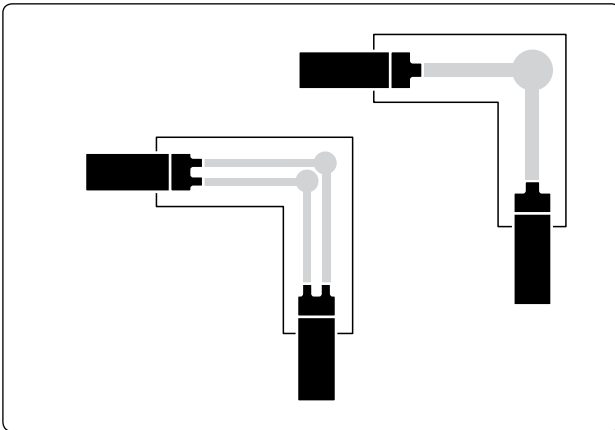


Examples of use insulation sets

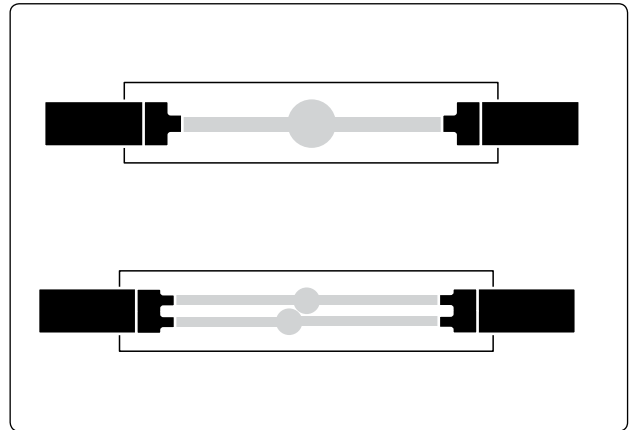
T-insulation set



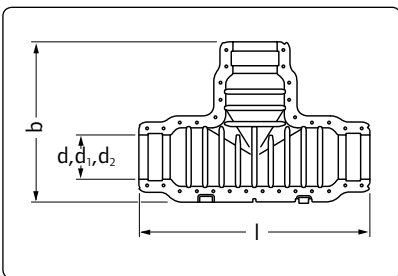
Elbow insulation set



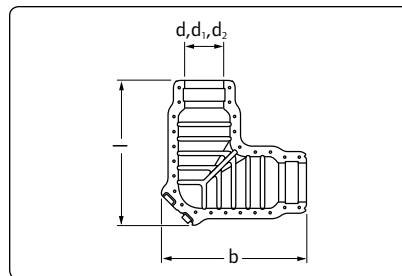
Straight insulation set



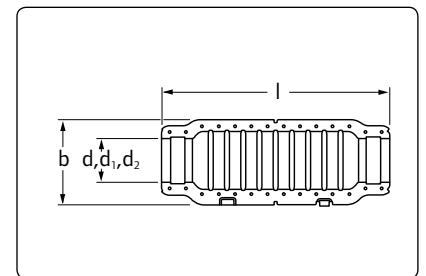
Dimensions



d [mm]	d ₁ [mm]	d ₂ [mm]	l [mm]	Weight [kg]	b [mm]
200	175	140	1125	13.53	788
140	90	68	940	9.775	666



d [mm]	d ₁ [mm]	d ₂ [mm]	l [mm]	Weight [kg]	b [mm]
200	175	140	805	10.55	805



d [mm]	d ₁ [mm]	d ₂ [mm]	l [mm]	Weight [kg]	b [mm]
200	175	140	1200	9.66	270

Uponor Corporation
www.uponor.com

uponor

Uponor reserves the right to make changes, without prior notification, to the specification of incorporated components in line with its policy of continuous improvement and development.