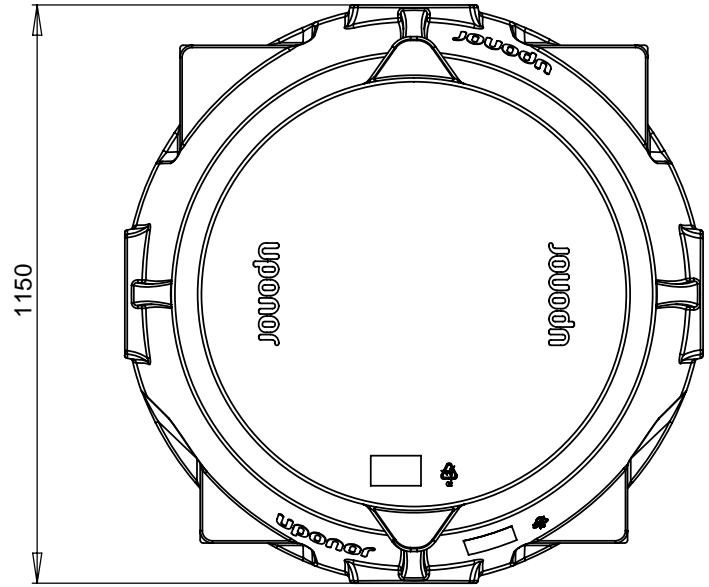
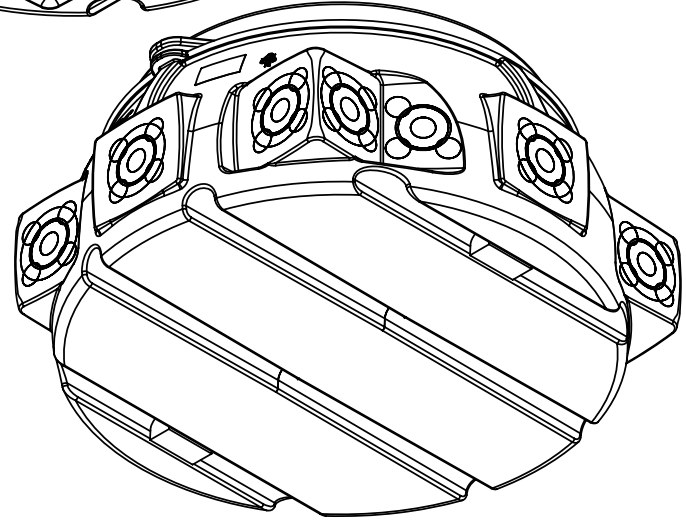
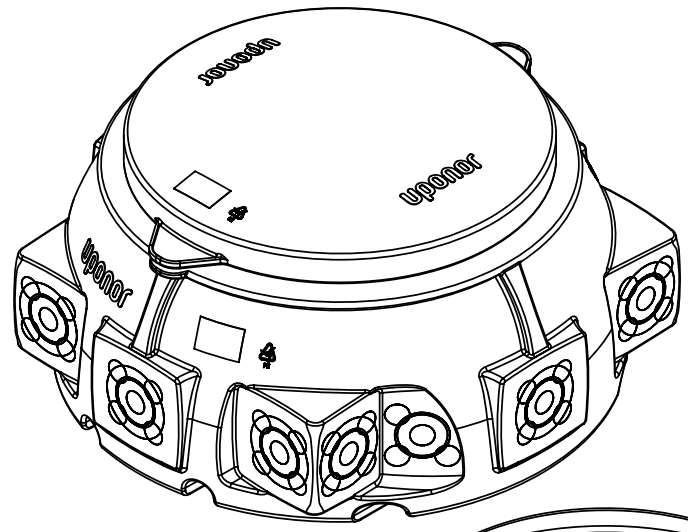
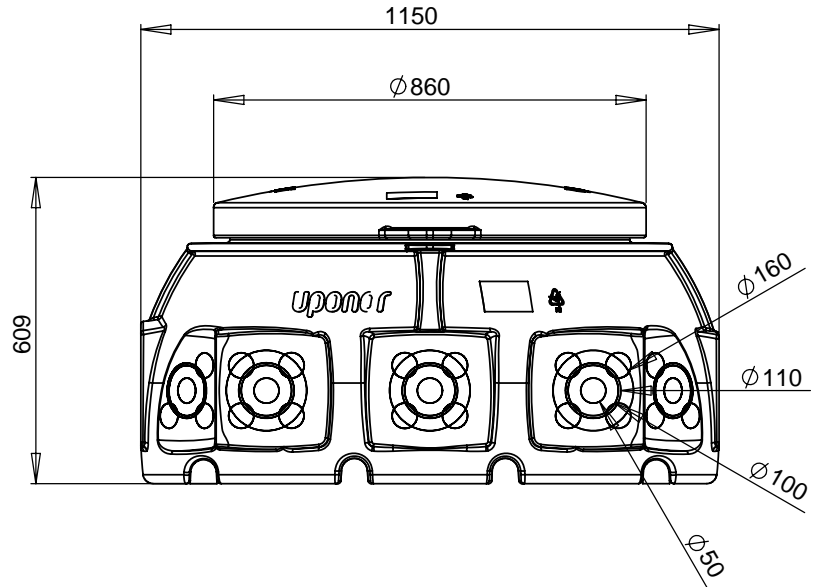


This document must not be copied without our written permission and the contents thereof must not be imparted to a third party nor be used for any unauthorized purpose, contravention will be prosecuted.



Markings		Material		Color	
Volume	Weight	Scale	Drawn	Check.	Appr.
mm ³	g				
			Title		Uponor no.
Infrastructure and Environment Europe Product Development			BCT chamber assembly		
					Drawing no.