

WIRSBO CoSy

Installation and User Manual

UK

1. Electronic roomthermostat

Contact

Application

The electronic thermostat regulates the air temperature in dry closed rooms.

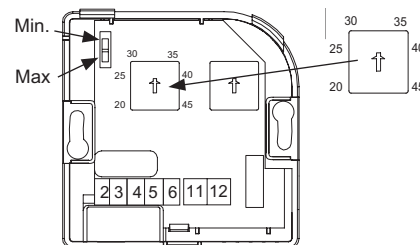
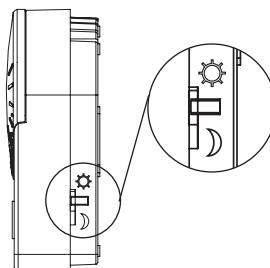
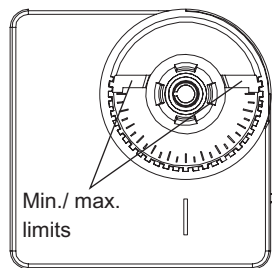
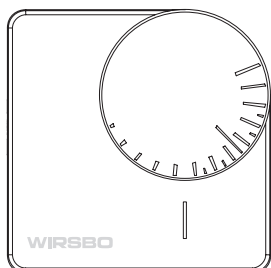
Function

The internal sensor registers the actual temperature. Turning the dial sets the required temperature. If the actual temperature is below the required temperature, an electronic switch connects and signals to the UFH system that heat is required. A green light diode (seen from the side of the thermostat) shows that heat is required.

WirSbo

SPACE HOUSE, SATELLITE BUSINESS VILLAGE
CRAWLEY, WEST SUSSEX RH10 2NE
Phone 01293 548512 • Fax 01293 548552
wirsboenquiries@uponor.co.uk • www.wirsbo.co.uk

2. Operating



Select temperature

- The temperature is set by turning the dial
- Longer strokes indicate higher temperature
- Shorter strokes indicate lower temperature
- Long thin stroke in the middle of the dial indicates approx. 21°C

Important

If thermostat with night setback and extern sensor is used, but the external sensor is not installed, the switch minimum/ maximum must be positioned "normal"

Additional accessories:

- 1) External sensor (only available for thermostat with night setback), art. no. 080463
- 2) Timer module for night setback/holiday setback (only available for thermostat with night setback), art no. 080462

Setting minimum/ maximum temperature

- Remove the dial
- Press and turn the right pin to adjust the minimum temperature setting.
- Press and turn the left pin to adjust the maximum temperature setting.
- Starting point 21°C (shown as 0 on the scale).
- Replace the dial. The amount the thermostat can be adjusted is now limited.
- Factory pre-set values:
Minimum temperature 6°C.
Maximum temperature 30°C.

Example: If 14°C is required to be the minimum temperature setting, the right "leg" is turned to position -7 = (21°C - 7°C). If 26°C is required as the maximum temperature setting, the left "leg" is turned to position 5 = (21°C + 5°C).

Setting the night set-back

- Position "SUN" => normal => no temperature set-back

Manual set-back

- Position "MOON" => night set-back => 4°C set-back at 20°C

Important

Works only if terminal 4 and 5 are connected inside the thermostat. With manual night setback it is not necessary to connect terminal 5.

Timer controlled set-back

- Position "MOON" => time controlled night setback

Important

Works only if timer module is installed in the connection box, and terminal 5 in thermostat is connected to the wiring box.

Setting max temperature

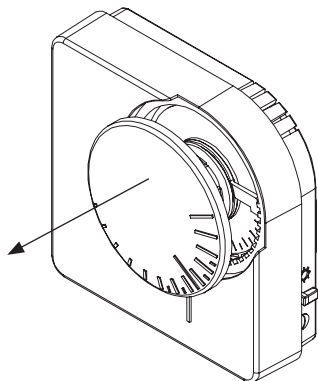
- Setting max. temperature is typically used to prevent overheating of wooden floors.
- Connect the external sensor to terminal 11 and 12
- The switch must be in position "max"
- The temperature is set by a pot meter - see the above figure.

Setting min. temperature

- Setting of min. temperature is typically used to ensure tile floors in kitchen and bathrooms always are warm.
- Connect the external sensor to connector 11 and 12
- The switch must be in position "min"
- The temperature is set by a pot meter - see the above figure

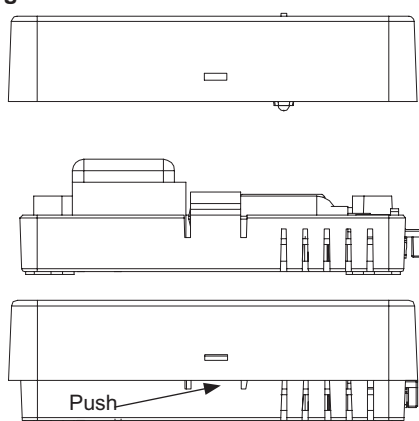
3. Mounting

Fig. 1



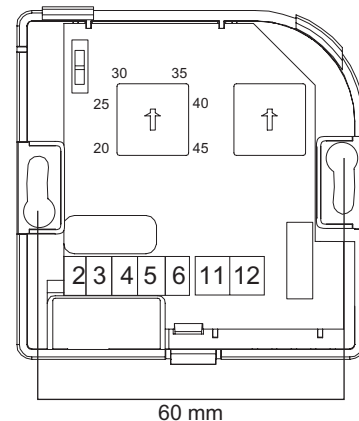
- Disassemble the dial from the thermostat

Fig. 2



- Then demount the thermostat front by pressing in the button with a screwdriver
- Lift off the front.

Fig. 3



- The thermostat can be fixed to the wall.
- Max. screw size ø3,0 mm.

4. Connection box

Fig. 1
Wiring diagram 24V

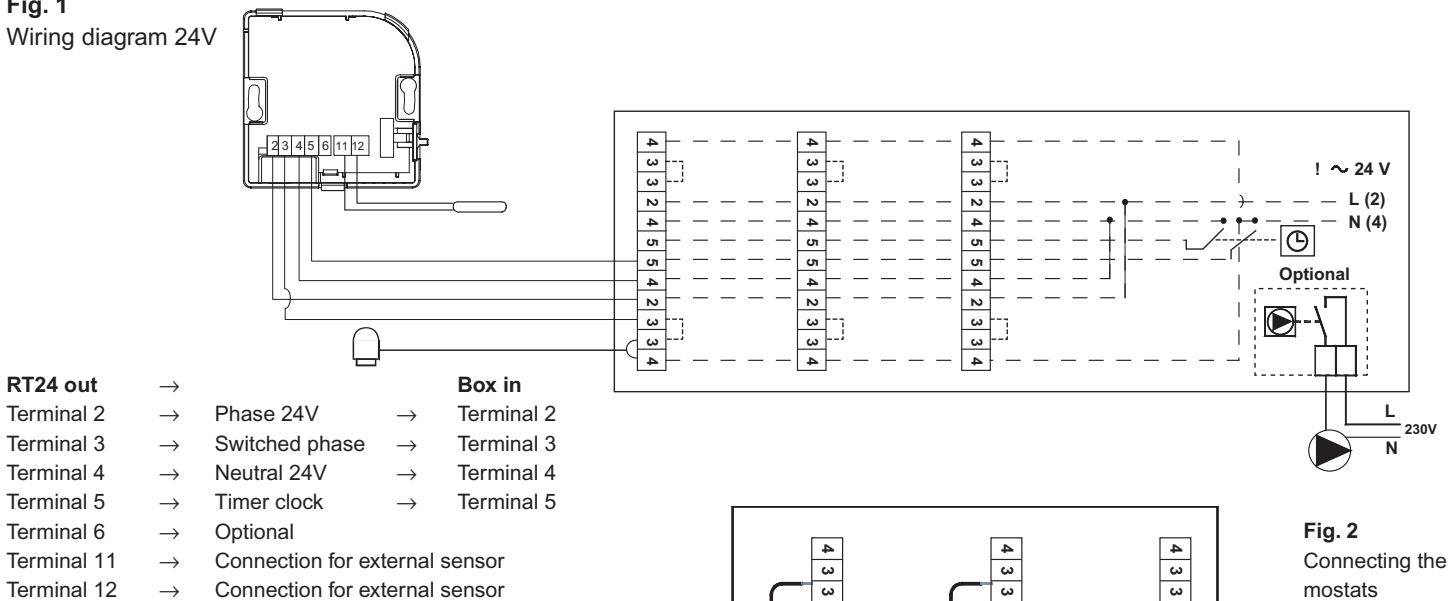


Fig. 2

Connecting the thermostats

- Connection of CoSy Basic thermostat
- Connection of a thermostat with timer control on channel 1
- Connection of a thermostat with timer control of channel 2

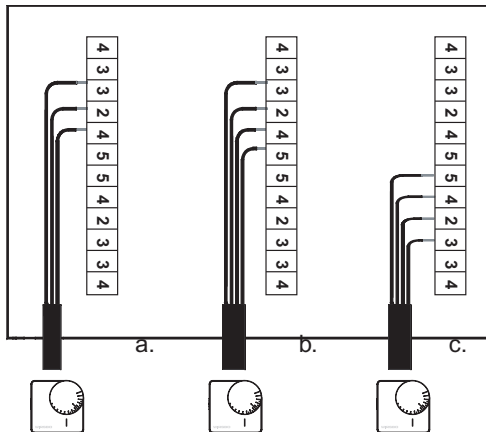
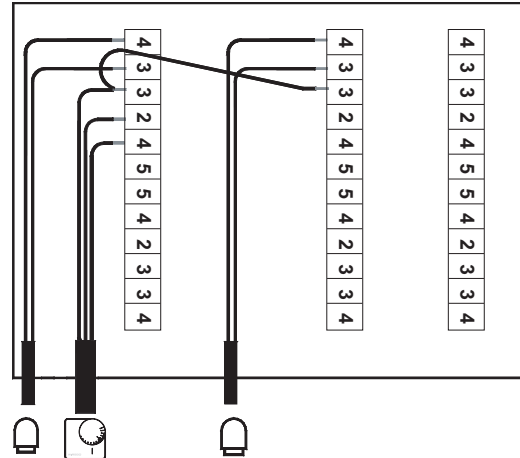
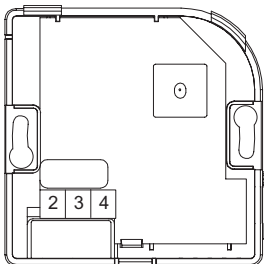


Fig. 3

Connecting one thermostat to two actuators.

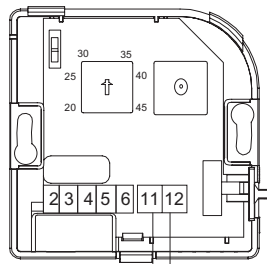


5. Types of Thermostats



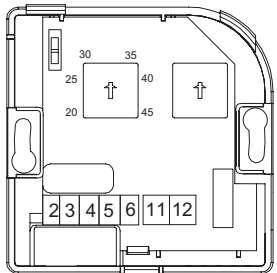
CoSy Basic (Art. no. 080466)

- Without night setback



CoSy Switch (Art. no. 080465)

- With night setback by timer module or switch. External sensor with min./max. limiter.
- External sensor, art. no. 080463



CoSy Public (Art. no. 080464)

- With night setback by timer module or switch. External sensor with min./max. limiter.
- No temperature regulation on front of thermostat

6. Technical Data

Thermostat

Temperature range: 6 to 30°C
 Colour: RAL 9010
 Voltage: 19-30V AC, 50-60 Hz
 Max. current (I-max): 2,5A
 Led function: ON, when call for heat
 Hysteresis: 1°C @ 20°C
 Night setback: 4°C drop @ 20°C (20° to 16° C)
 Core: Min = 0,75 mm² (AVG 18);
 Max = 2,0 mm² (AVG 14)
 Thermostats connections (24V): 12

Connection for Mains

Voltage: 230VAC

Min/max voltage: +/- 10% => 207 - 253 VAC
 Connector type: Two pole ED500-P02 (Dinkle)

Note:

No cord and plug is delivered with the baseunit

Connection for actuators

Number of outputs/connections: 12 (pair wise parallel)
 Voltage: 24V
 Connector type: Screw terminals
 Actuator type: 24V, normally Closed

Connection for Pump

Output type: Dry contact relay (optional)
 Max current: 5 Amp AC