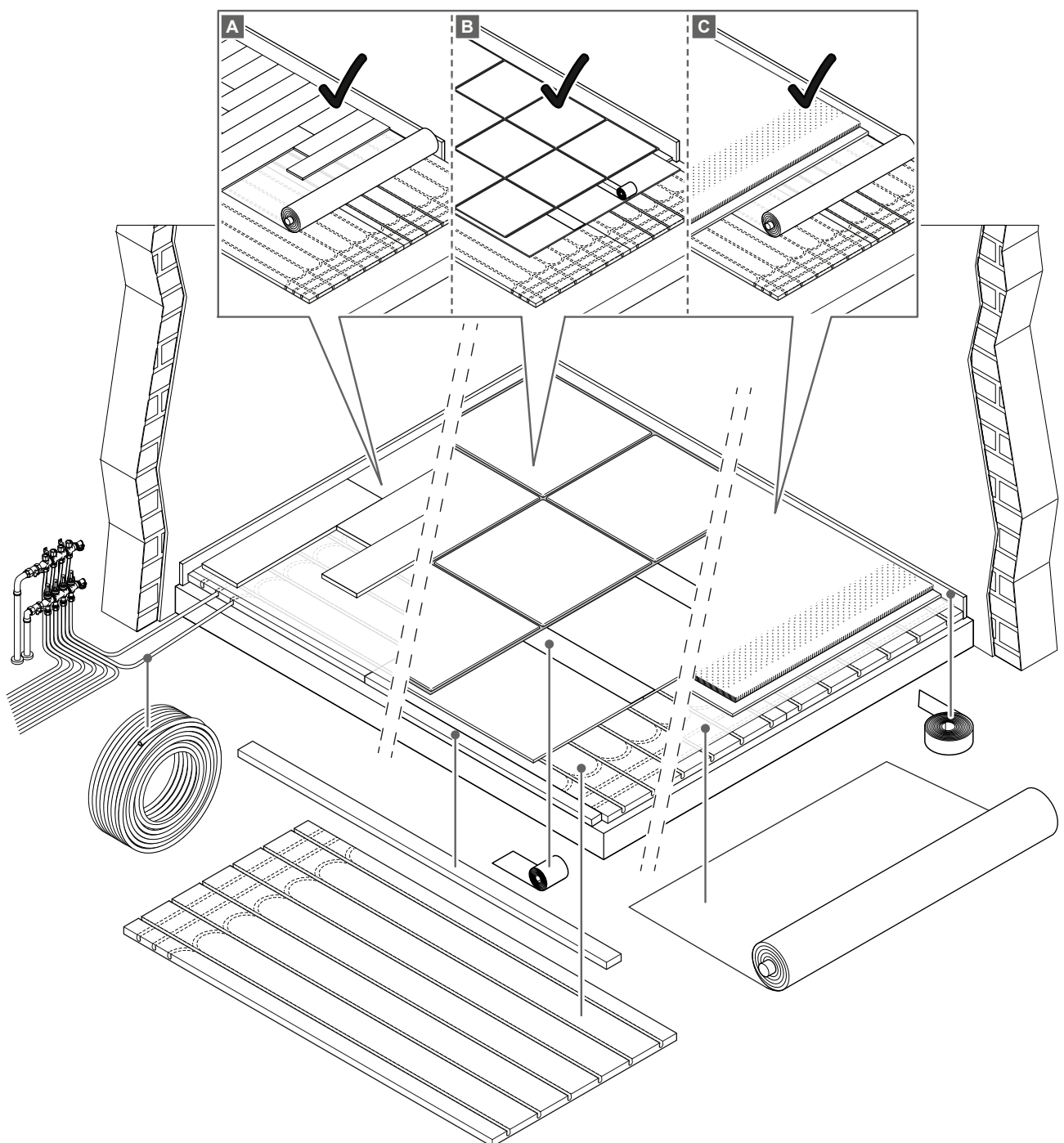
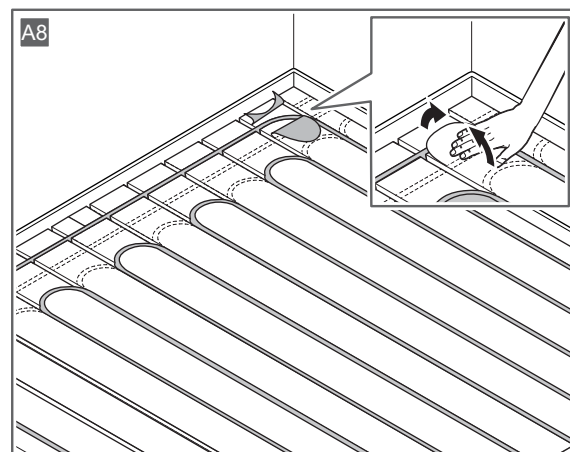
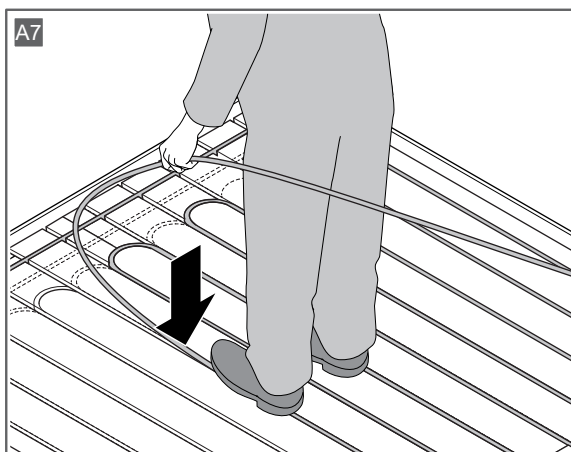
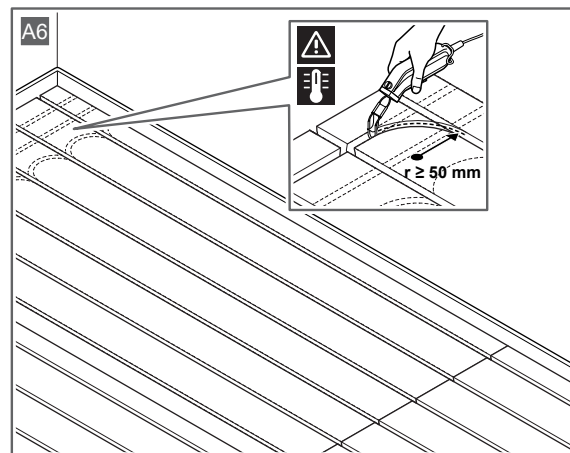
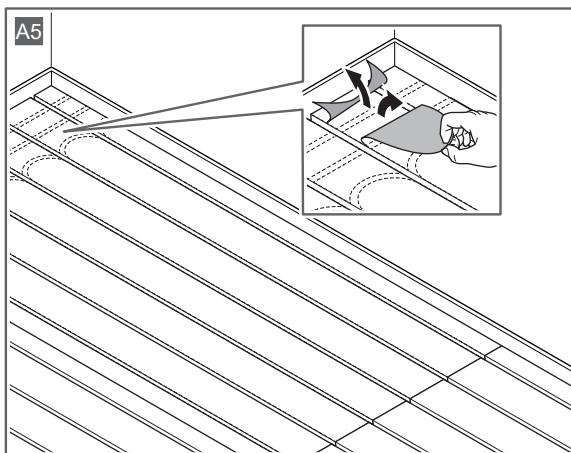
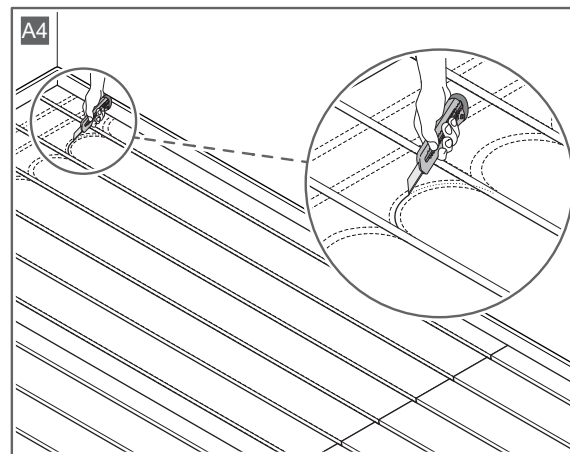
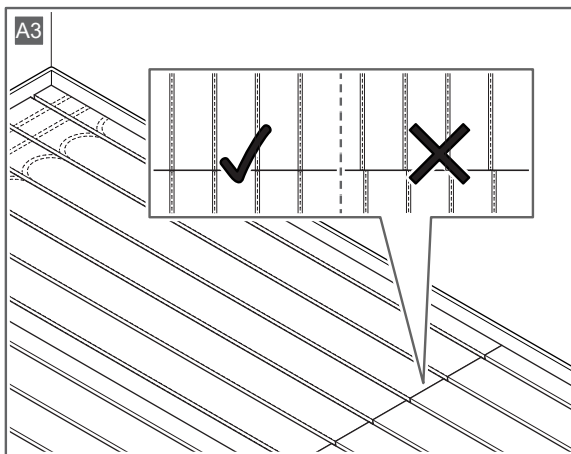
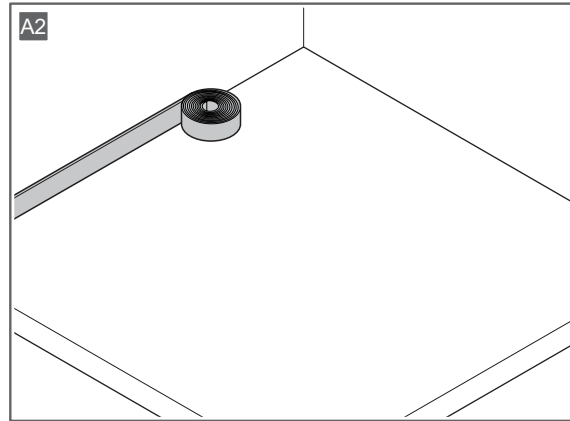
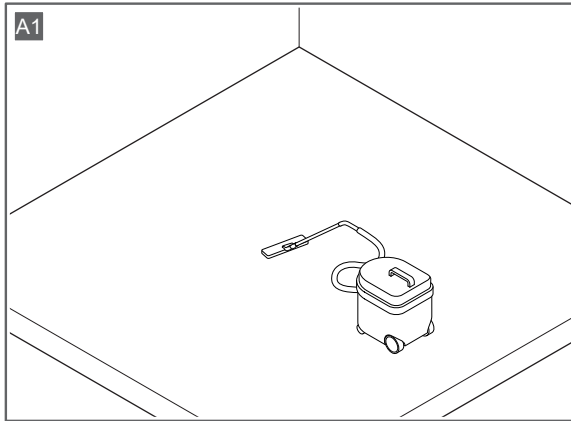
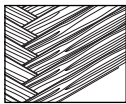


Uponor Siccus Mini underfloor heating system

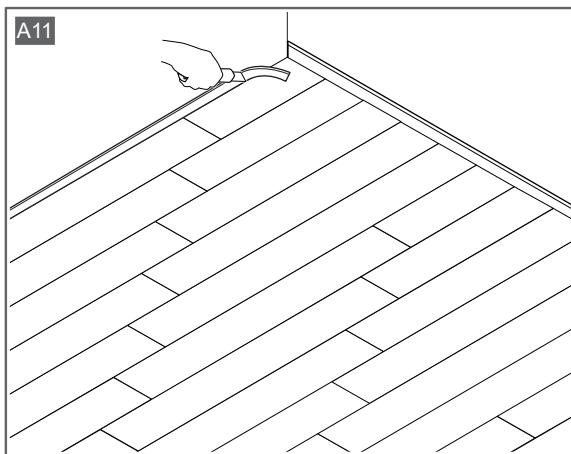
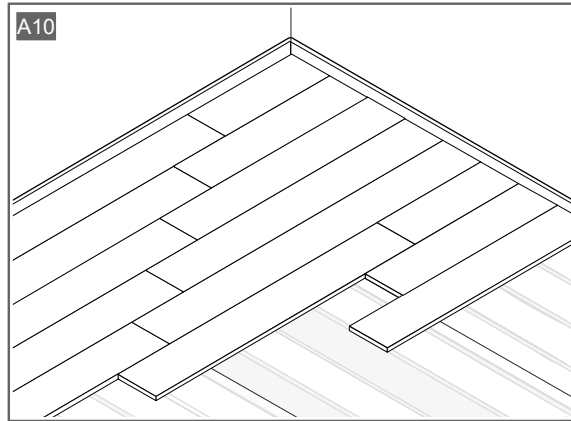
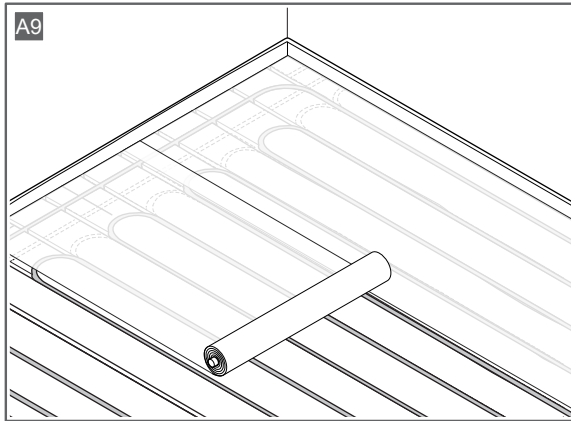
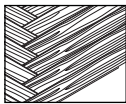


A

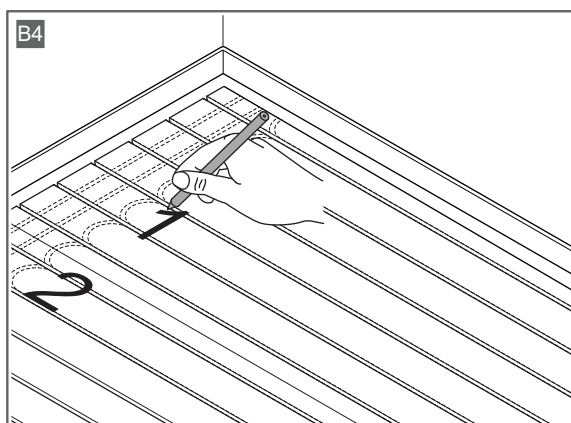
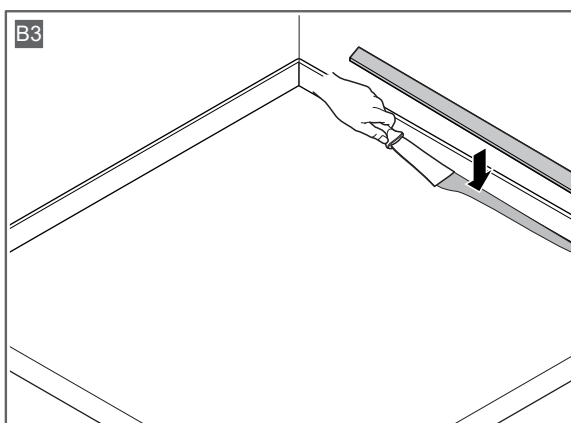
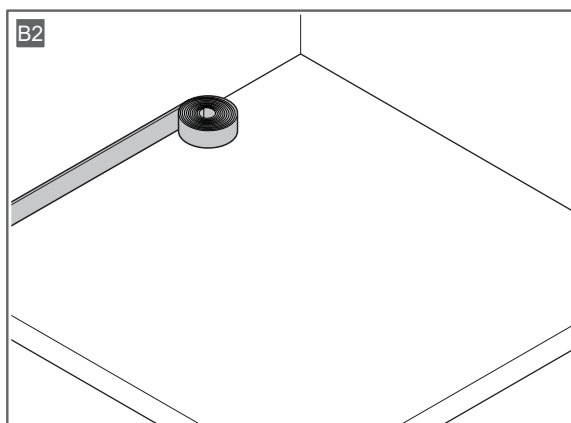
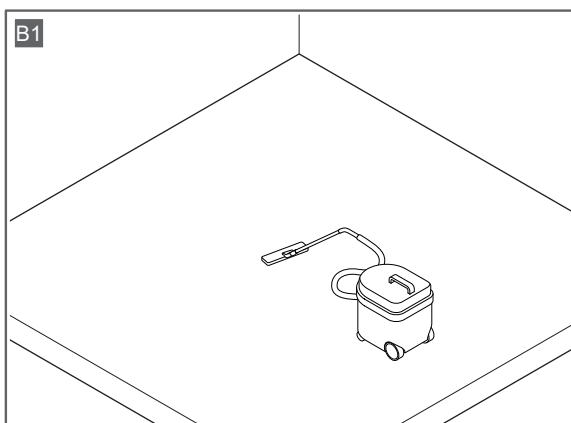
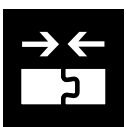
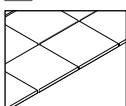


S10000636

A

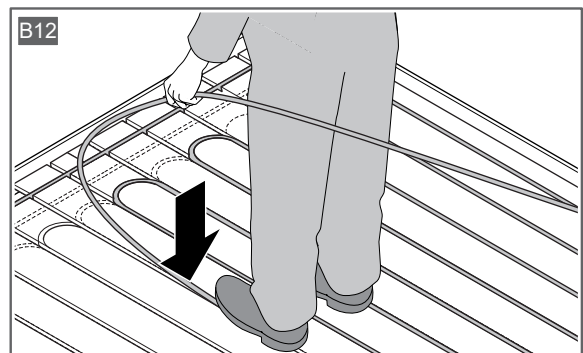
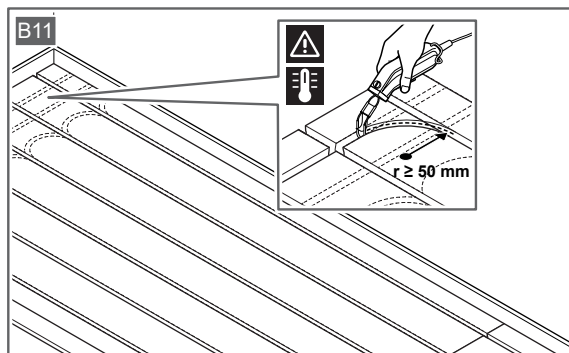
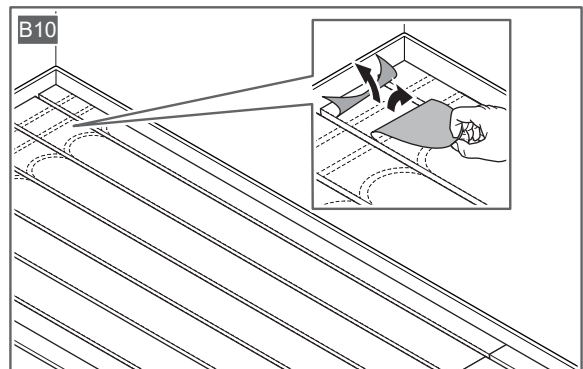
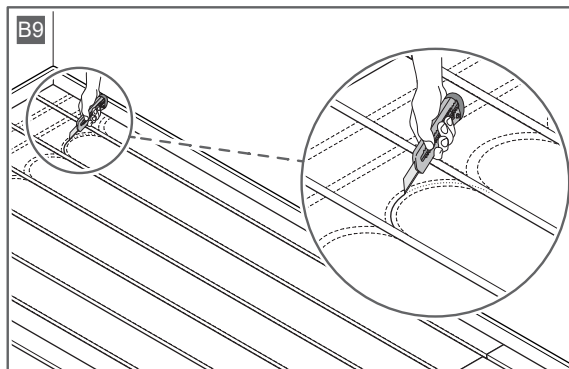
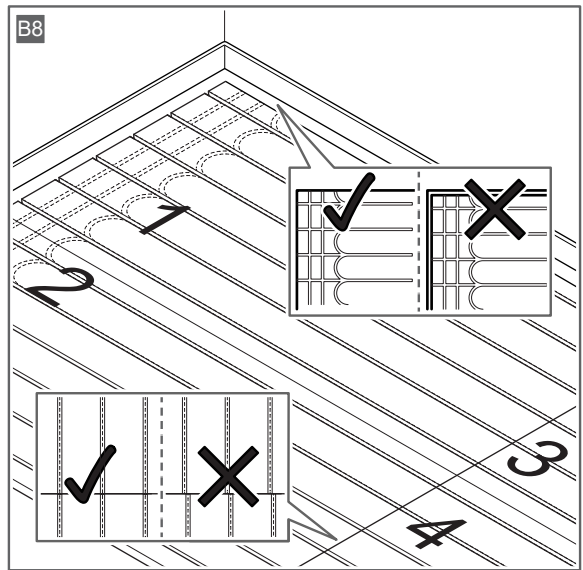
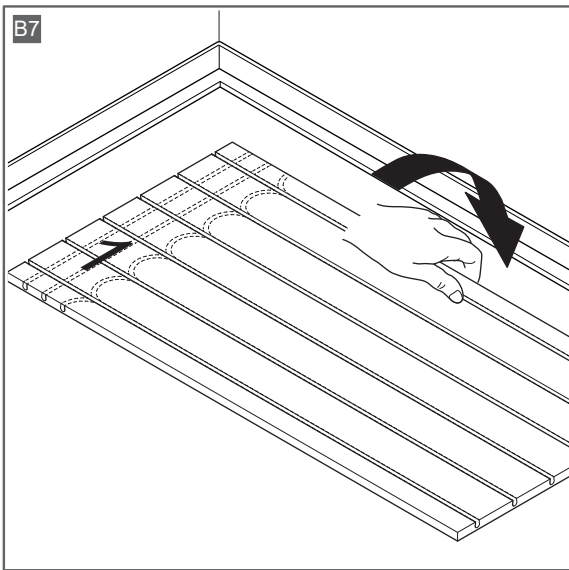
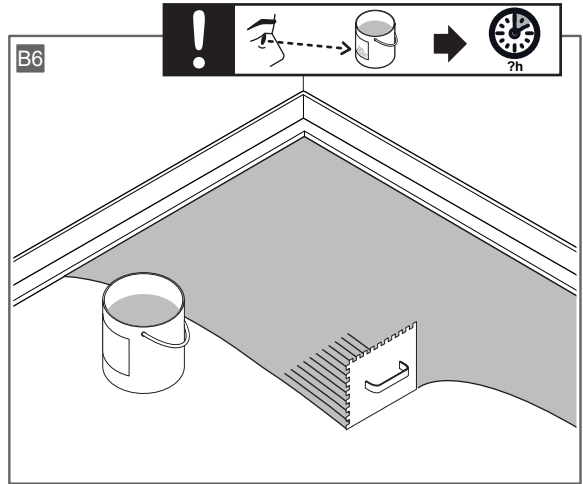
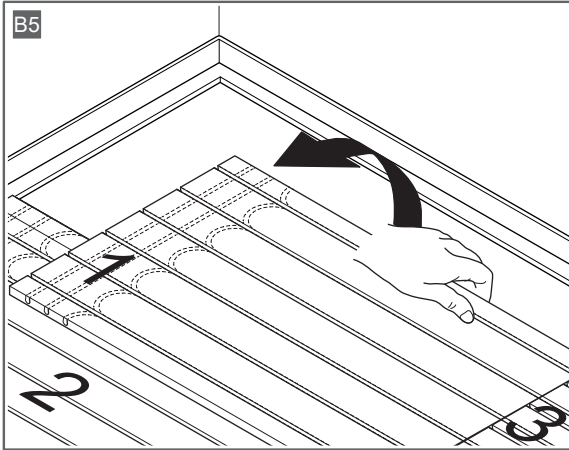
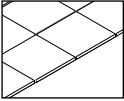


B



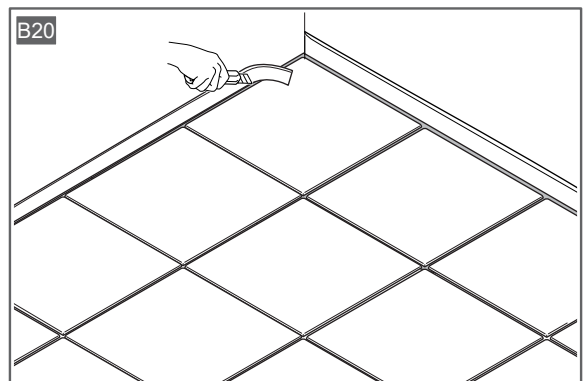
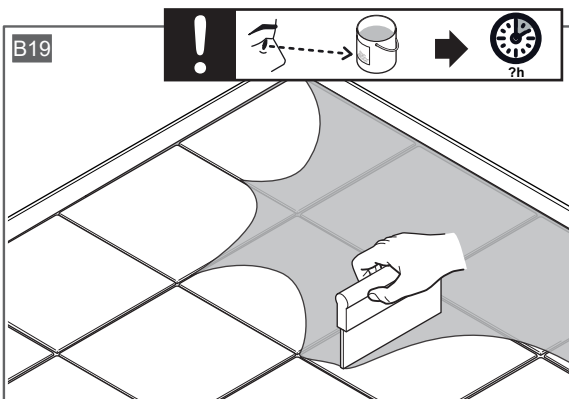
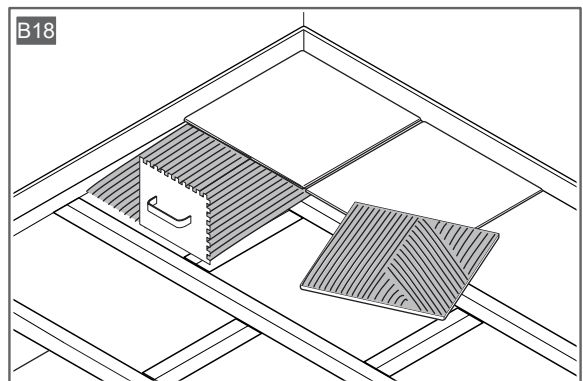
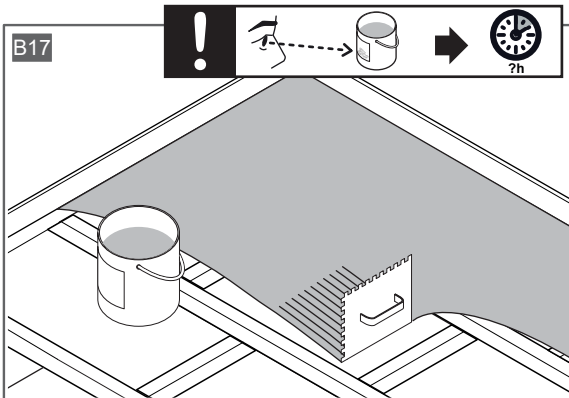
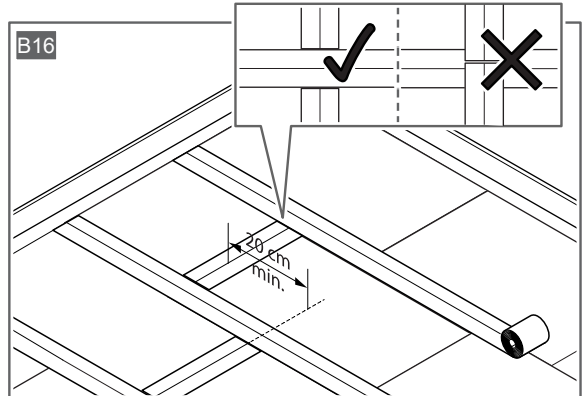
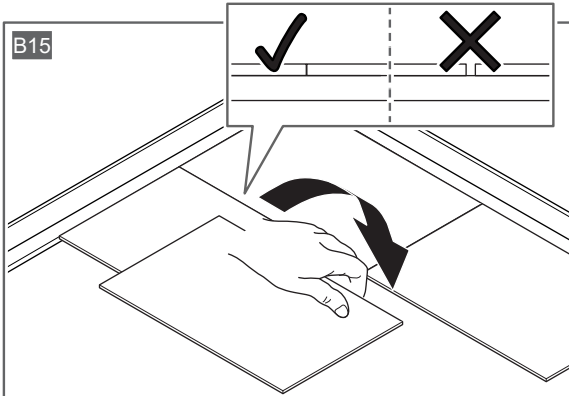
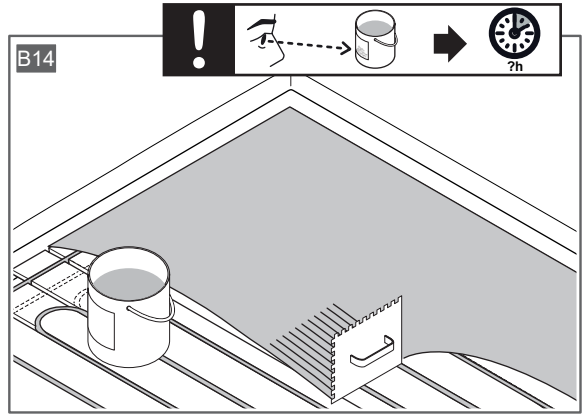
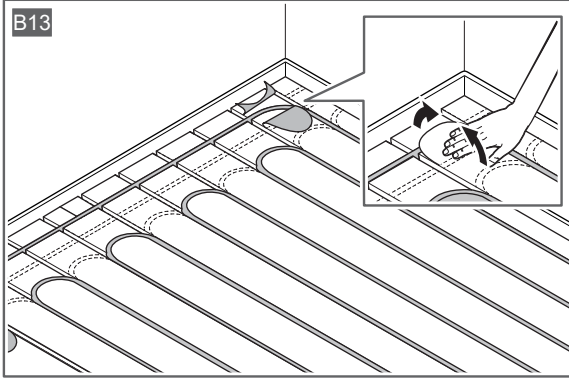
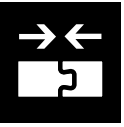
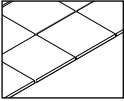
S1000637

B



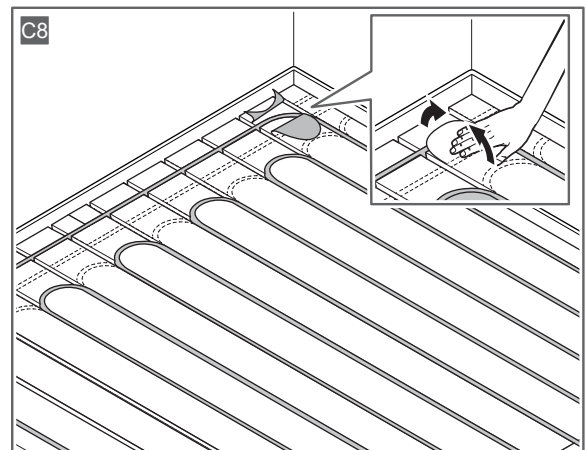
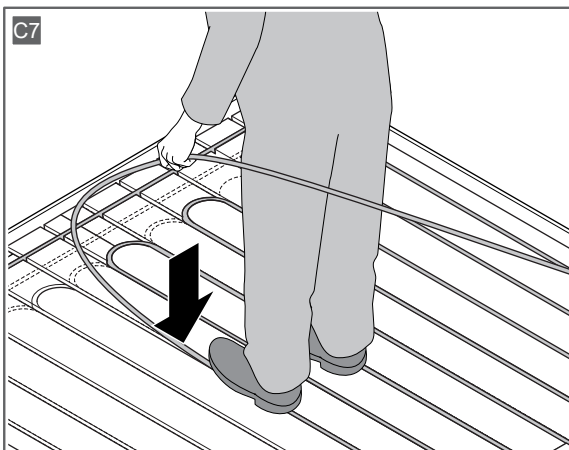
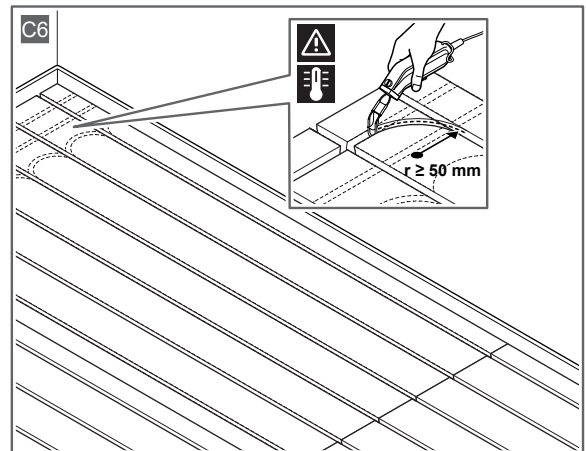
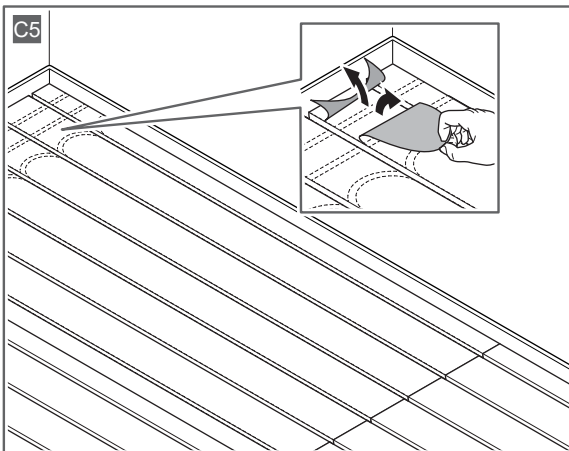
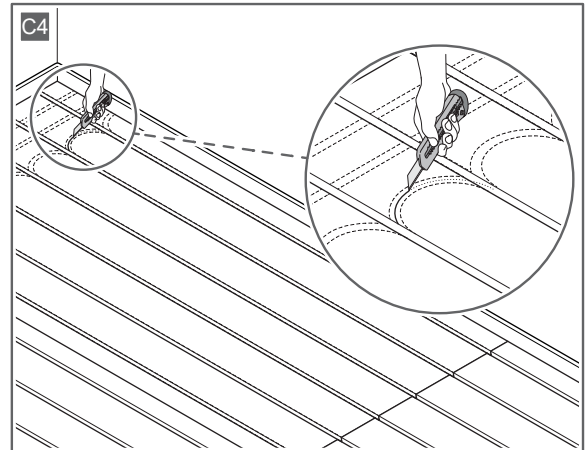
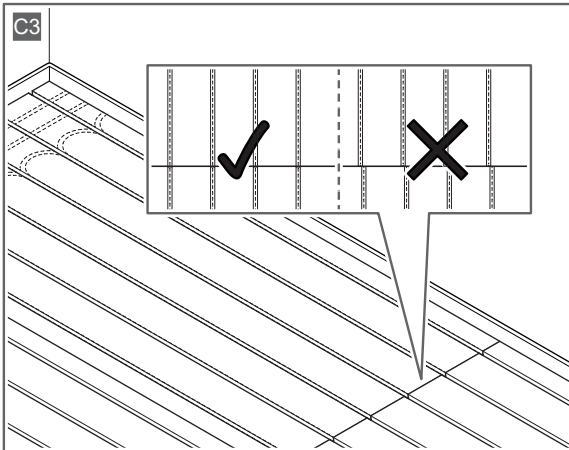
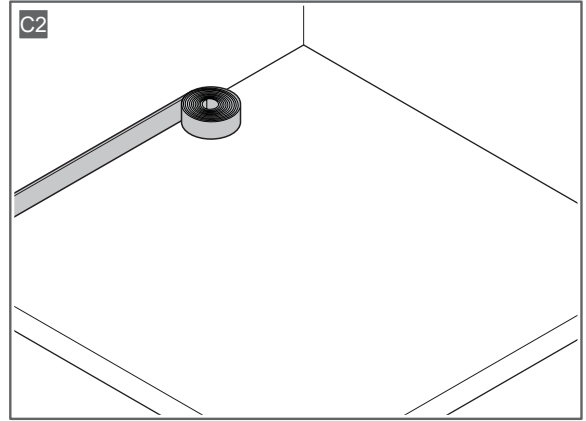
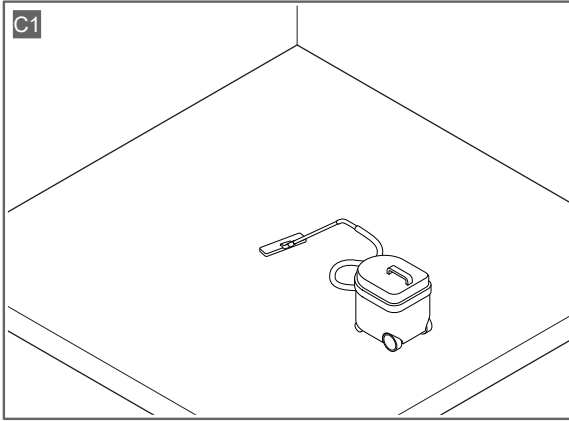
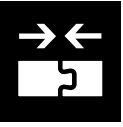
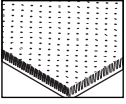
S10000638

B

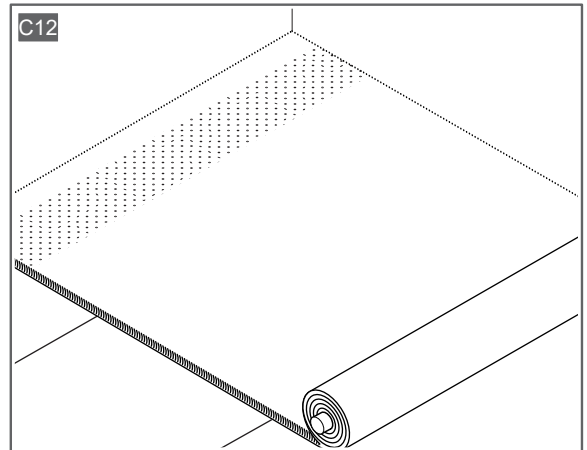
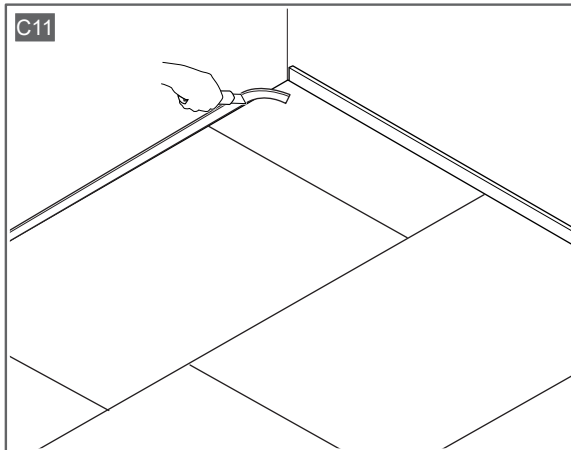
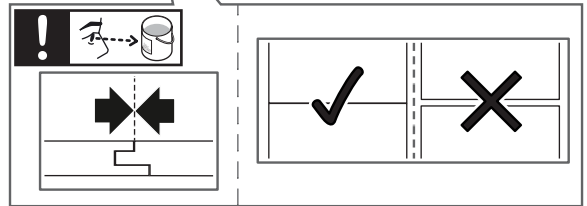
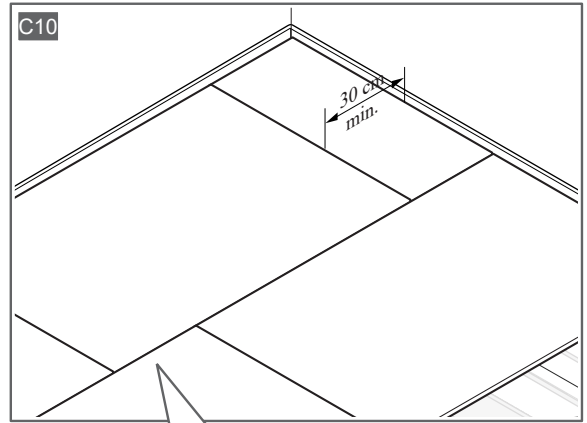
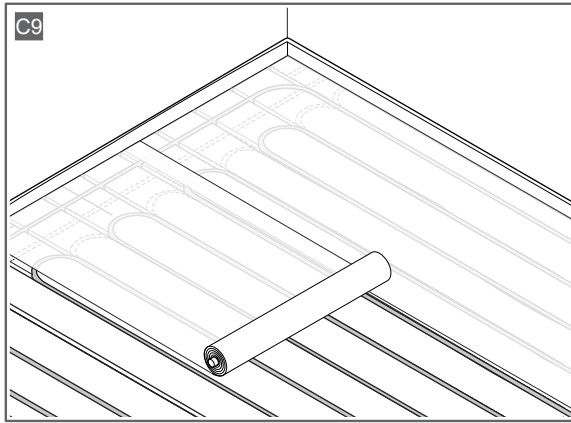
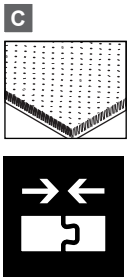


S10000639

C



S10000643



S10000644

Uponor GmbH

Industriestraße 56,
D-97437 Hassfurt, Germany

1140147 v1_04_2023_INT
Production: Uponor/SKA

Uponor reserves the right to make changes, without prior notification,
to the specification of incorporated components in line with its policy of
continuous improvement and development.



www.uponor.com