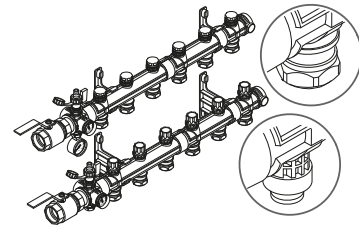
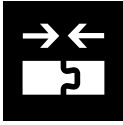
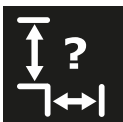
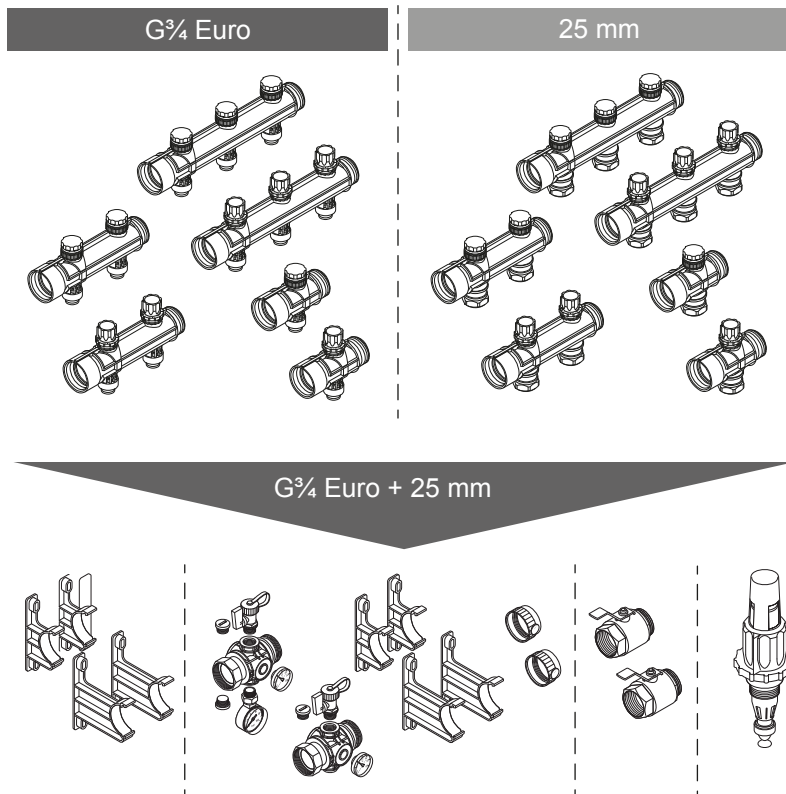


Uponor Magna Collettore industriale 1" 1/2

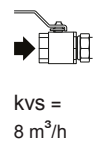
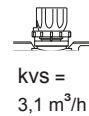
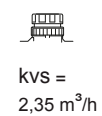
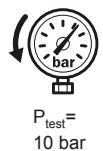
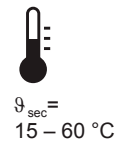
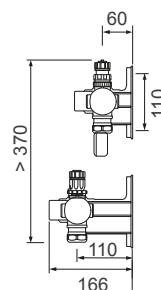
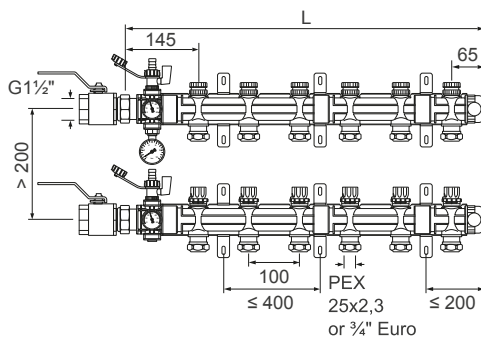


00000000

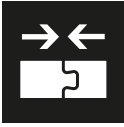


G^{3/4} Euro

25 mm

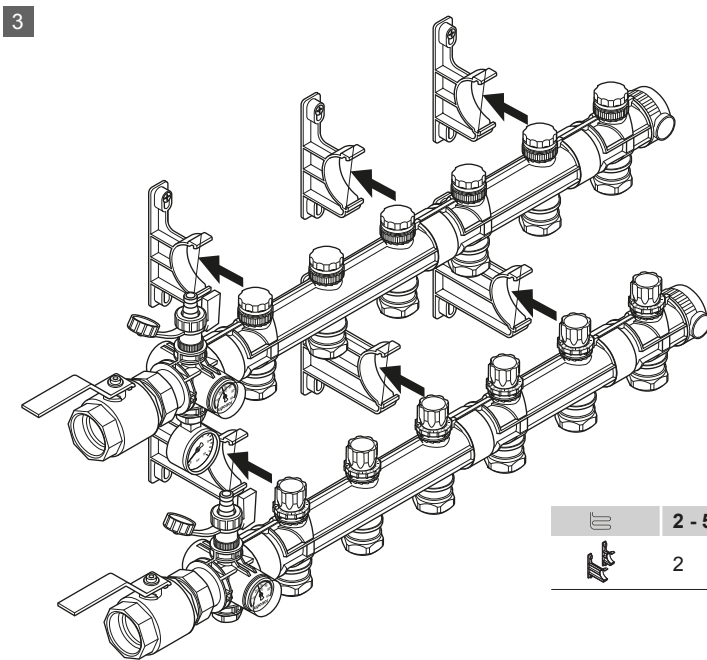
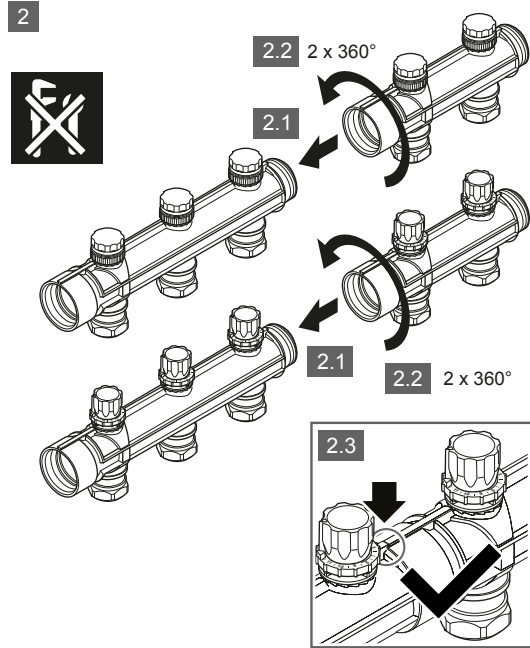
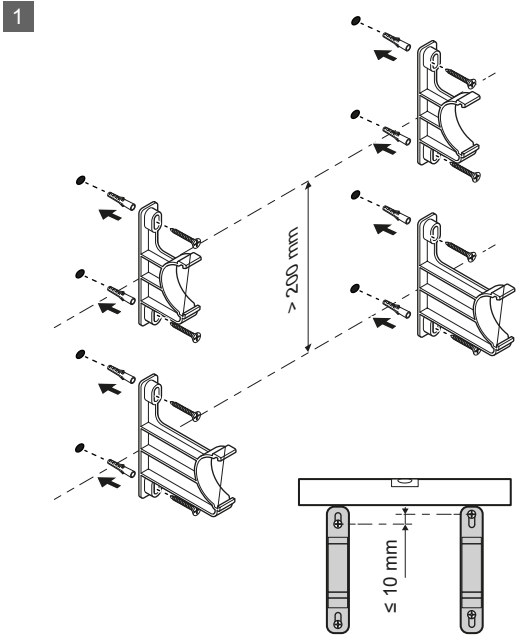


	2	3	4	5	6	7	8	9	10	11
L [mm]	310	410	510	610	710	810	910	1010	1110	1210
	12	13	14	15	16	17	18	19	20	
L [mm]	1310	1410	1510	1610	1710	1810	1910	2010	2110	

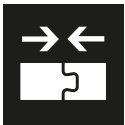


G³/₄ Euro

25 mm



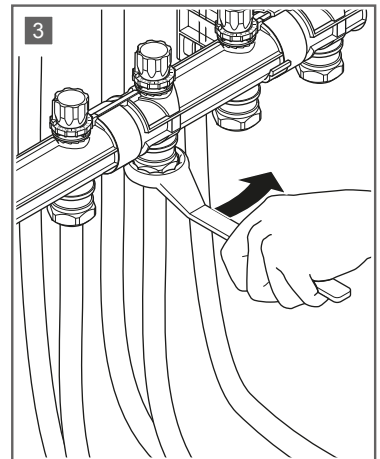
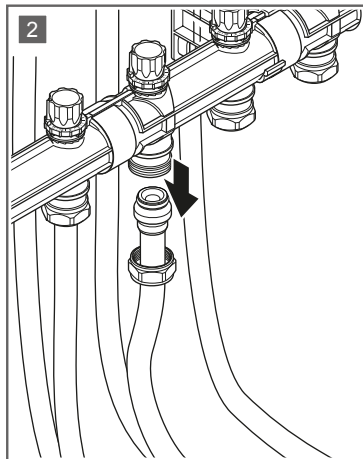
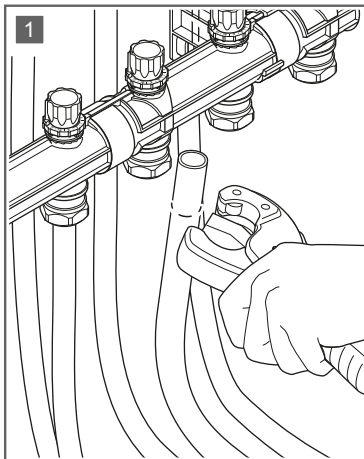
	2 - 5	6 - 9	10 - 14	15 - 19	20
	2	3	4	5	6



p = 0 bar

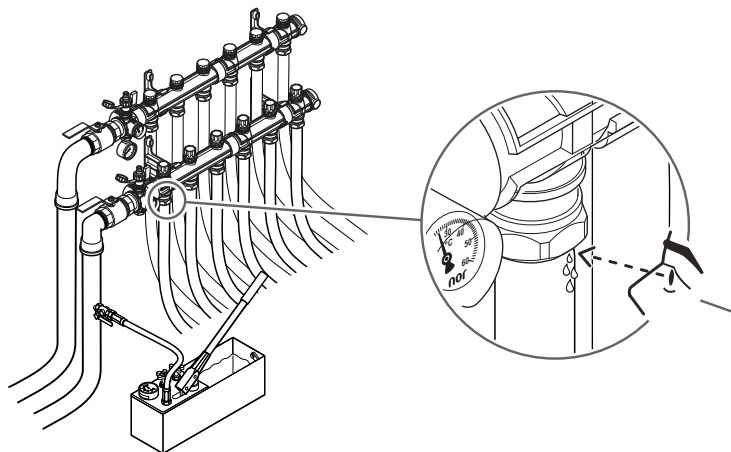
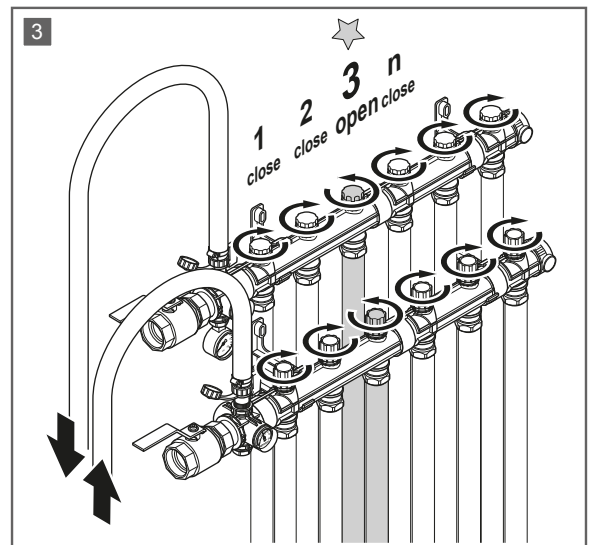
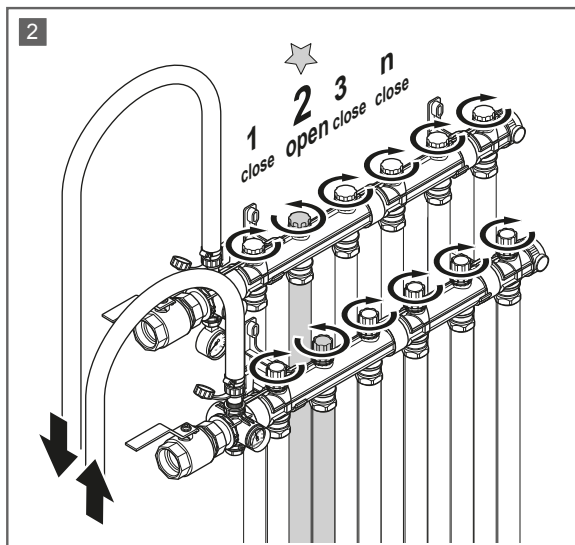
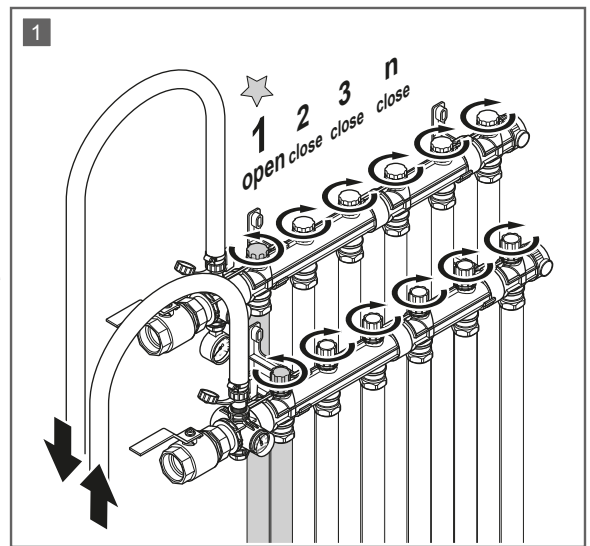
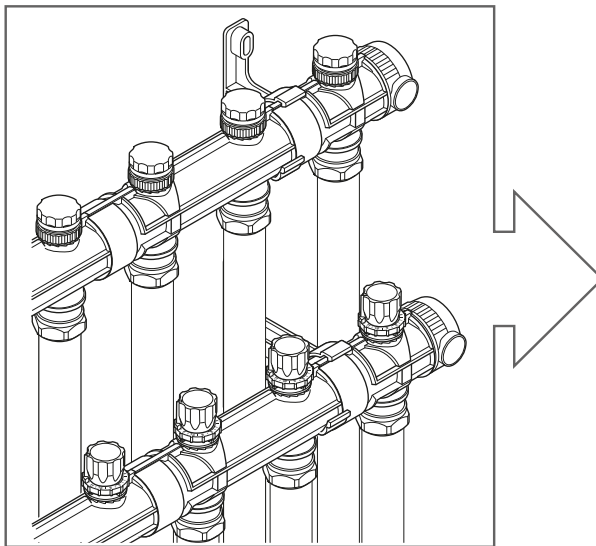
G³/₄ Euro

25 mm





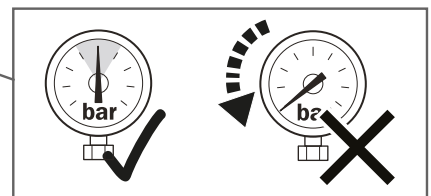
max 5 bar



P = 6 bar



2 h

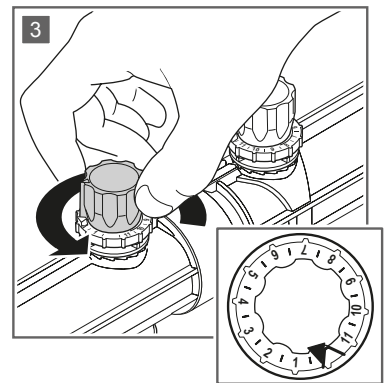
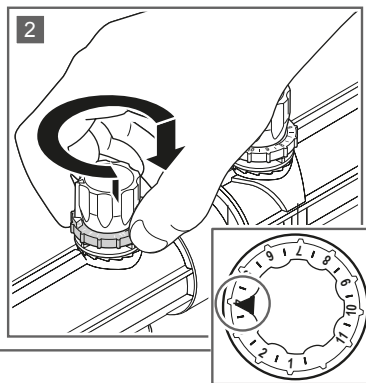
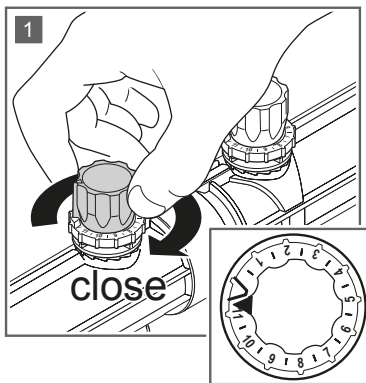


SI0000498



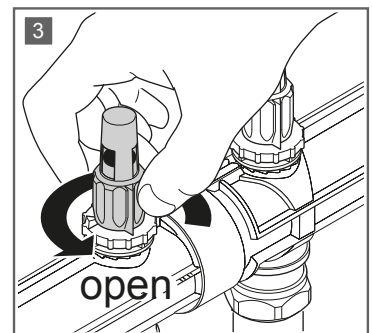
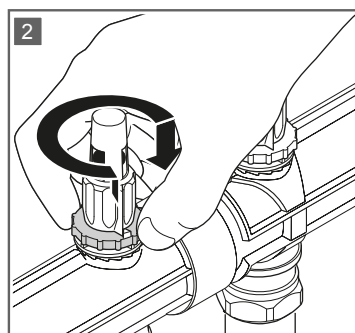
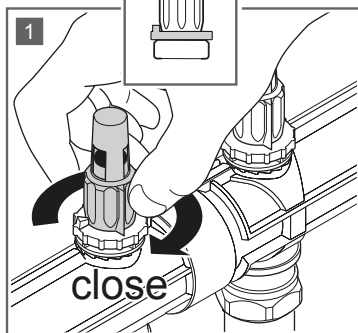
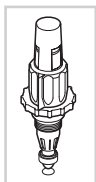
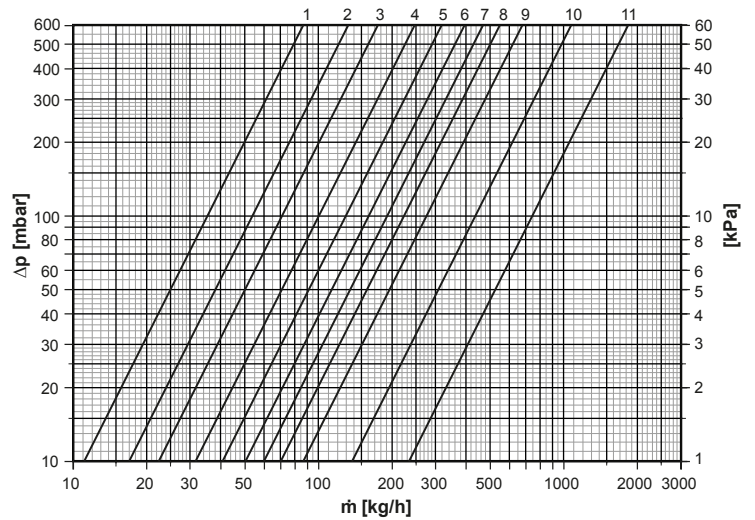
G^{3/4} Euro

25 mm



#	#	#	#
1	1	4	4
1	2	8	8
2	3	5	5
3	4	11	11
4	5	1,5	1,5

G^{3/4} Euro 25 mm



S8000499

Uponor GmbH

Industriestraße 56,
D-97437 Hassfurt, Germany

1125858 v1_01_2022_INT_IT
Production: Uponor/ELO

Uponor reserves the right to make changes, without prior notification,
to the specification of incorporated components in line with its policy of
continuous improvement and development.



www.uponor.com