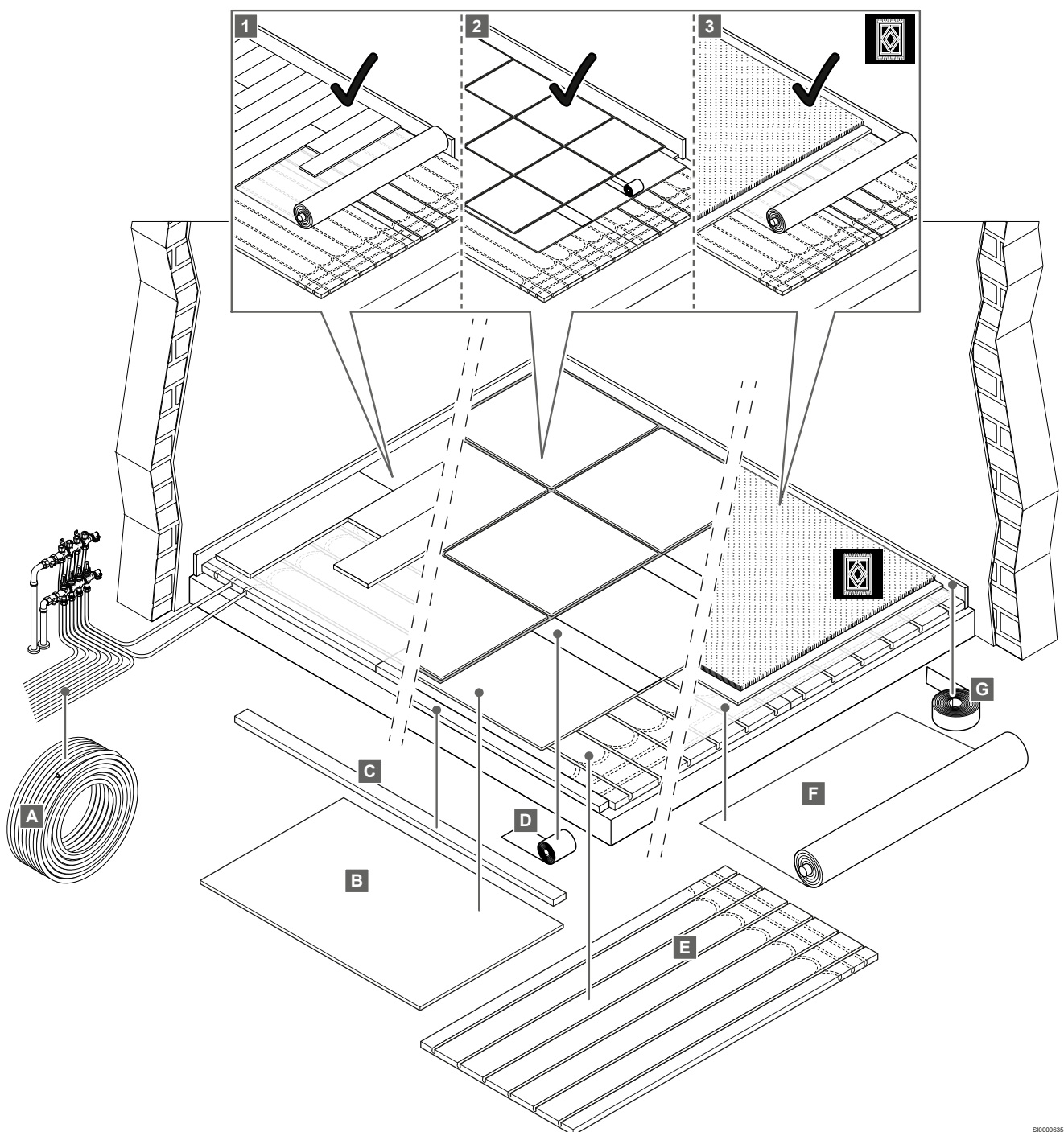
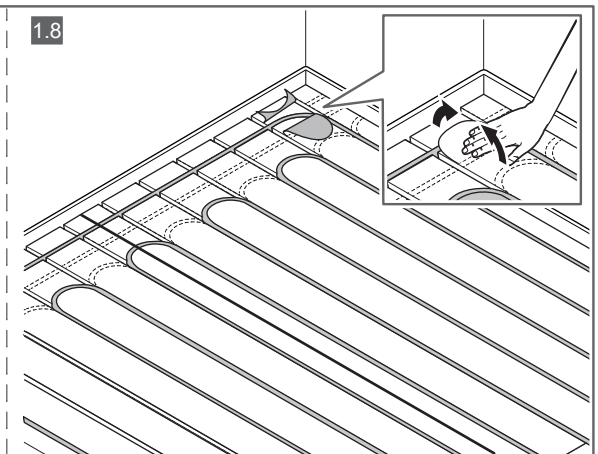
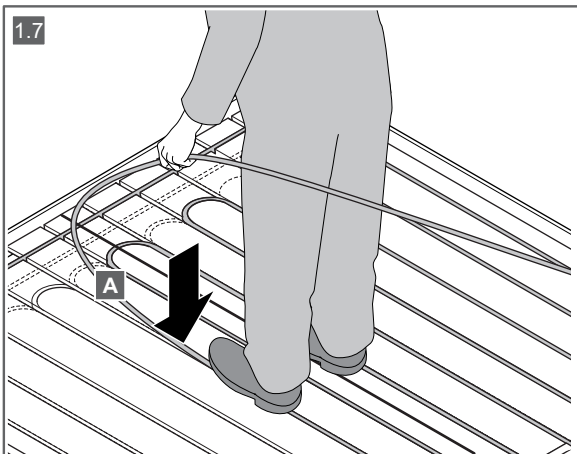
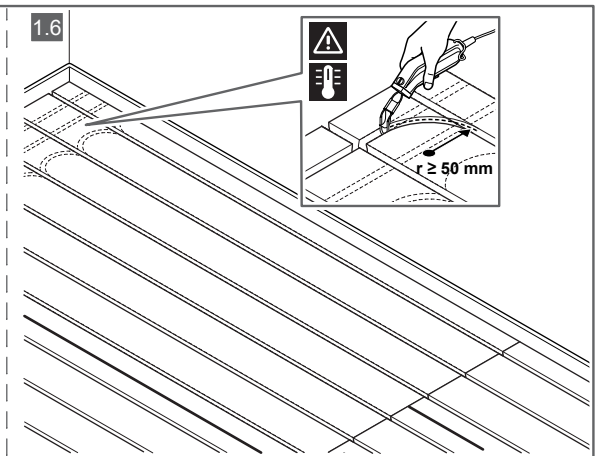
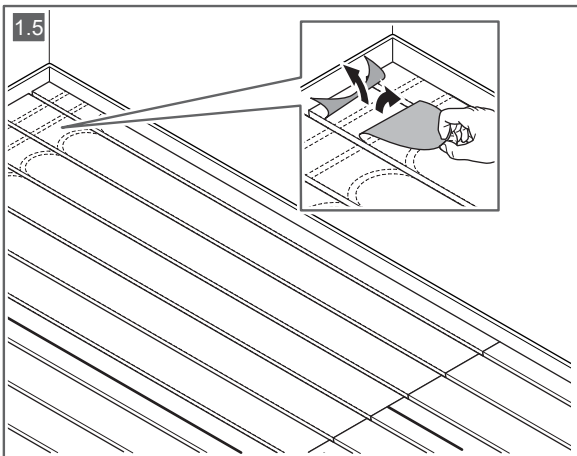
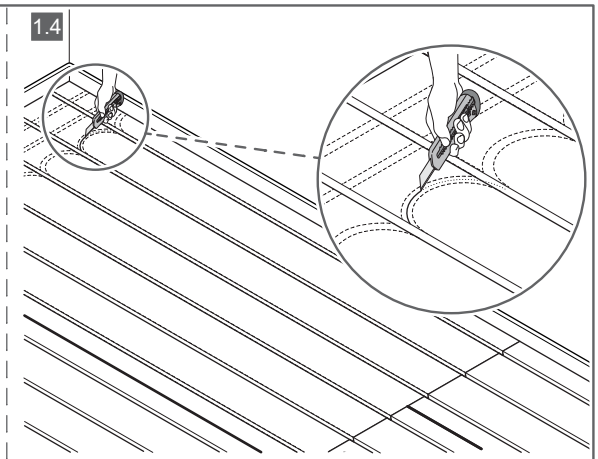
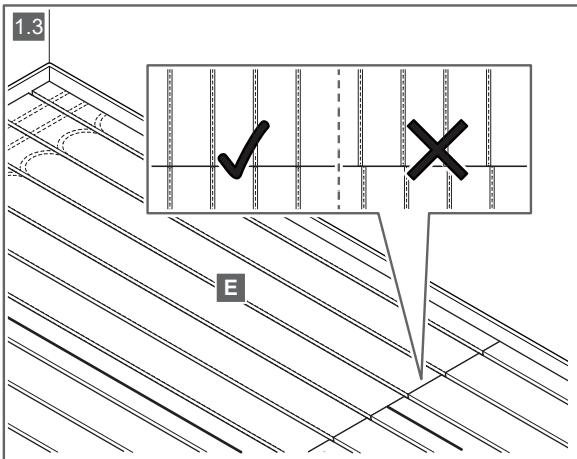
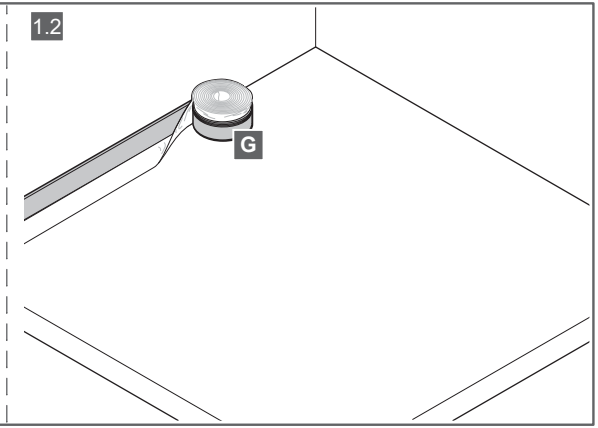
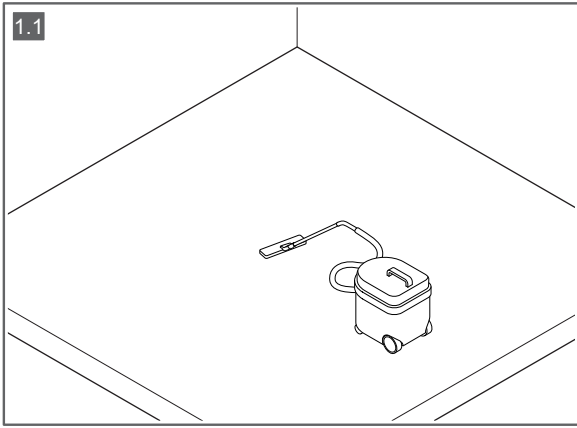
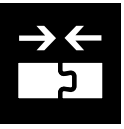
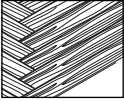


Uponor Siccus Mini underfloor heating and cooling system

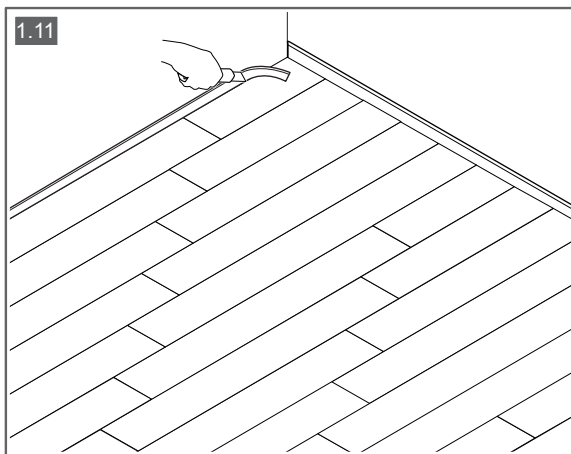
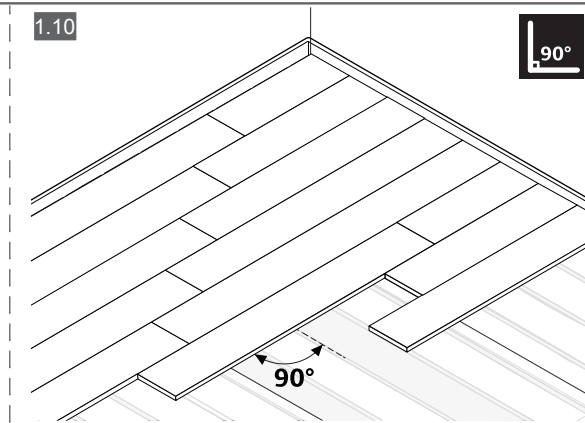
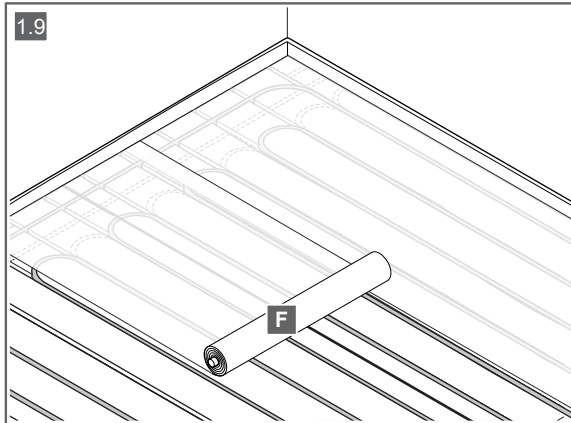
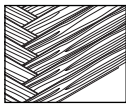


1

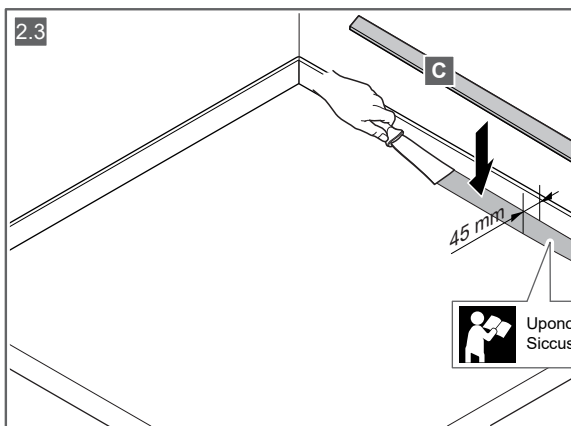
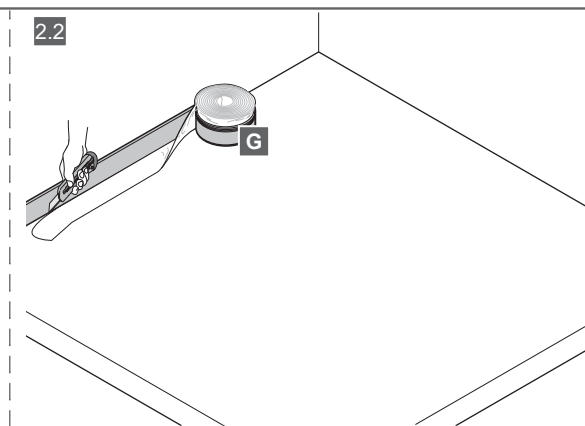
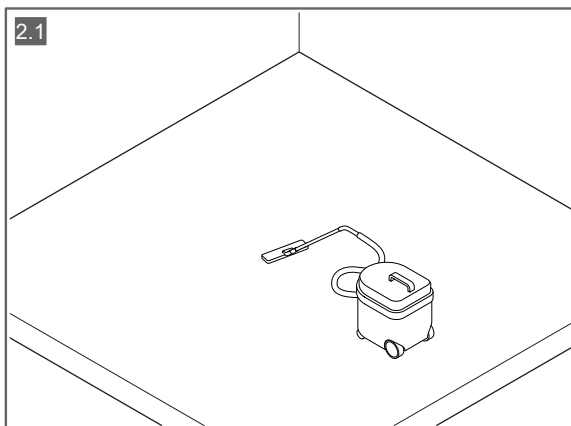
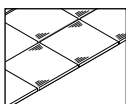


S10000630

1



2

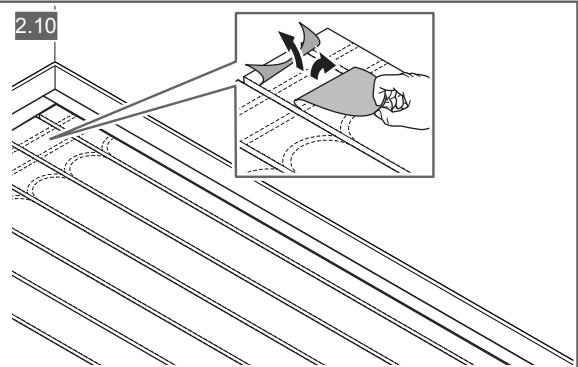
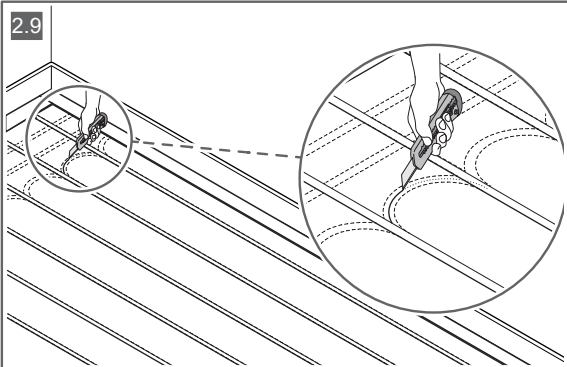
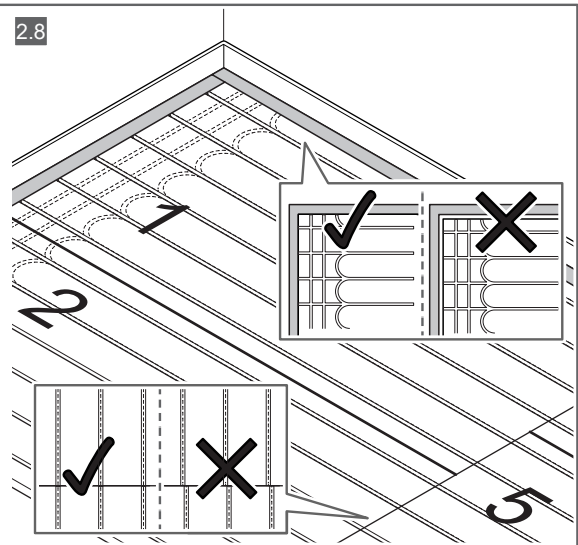
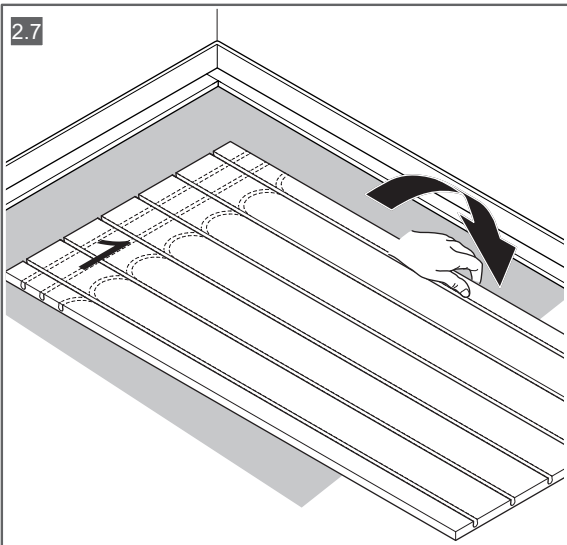
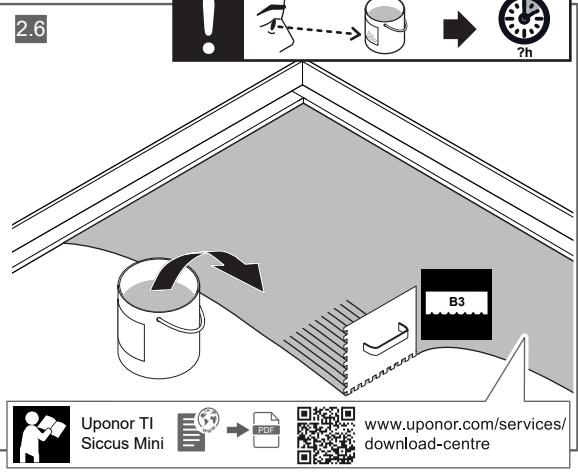
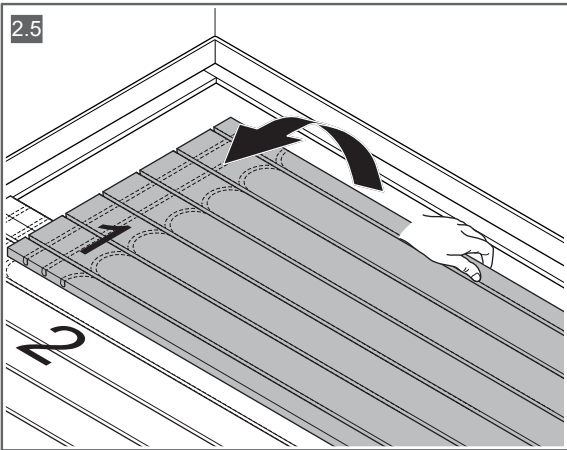
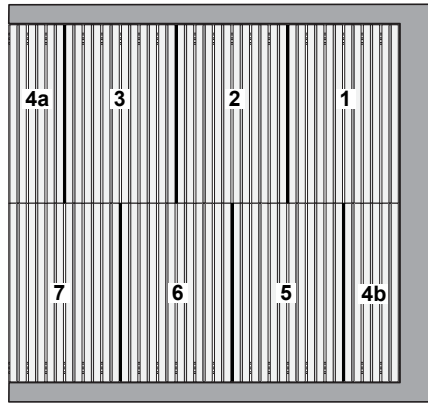
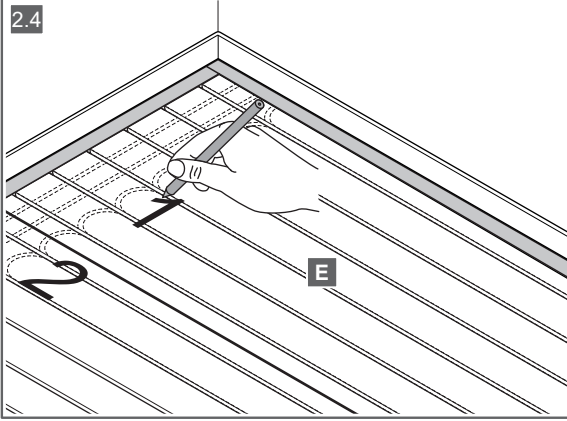
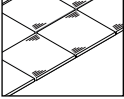



 Uponor TI
 Siccus Mini
 


www.uponor.com/services/download-centre

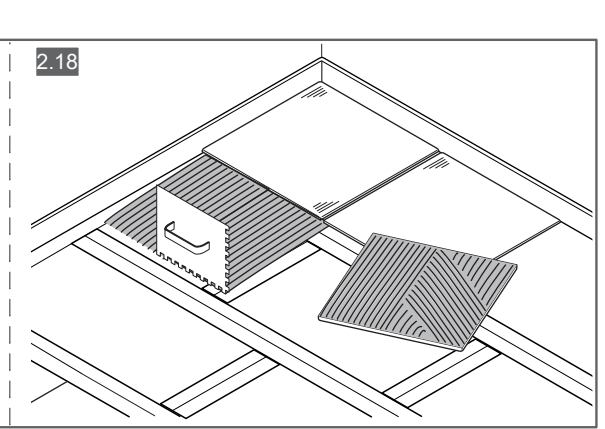
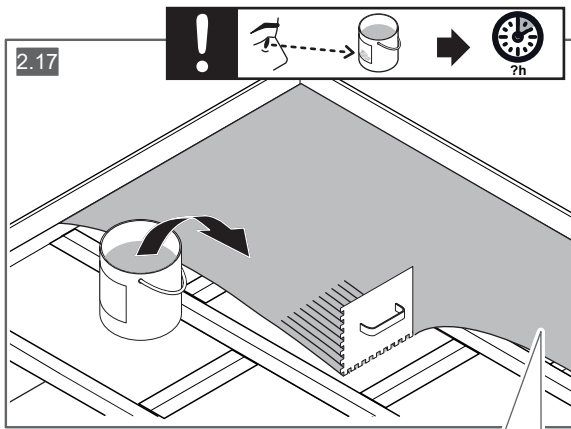
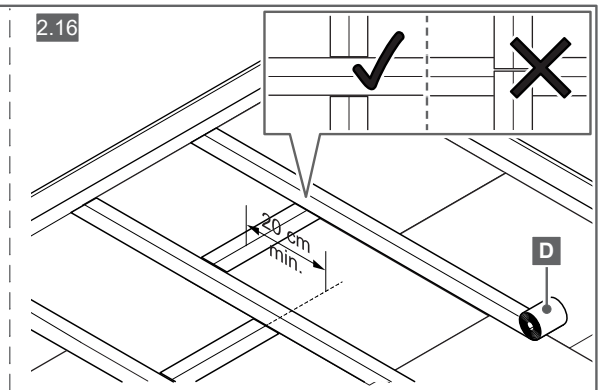
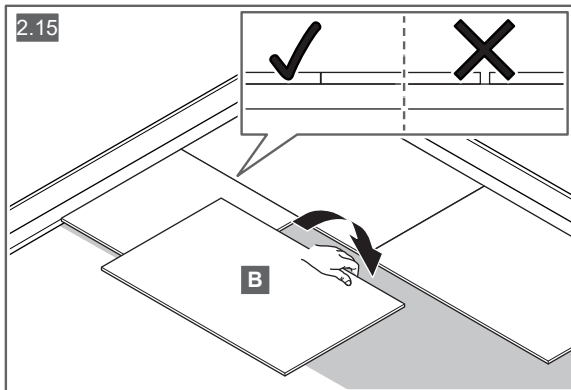
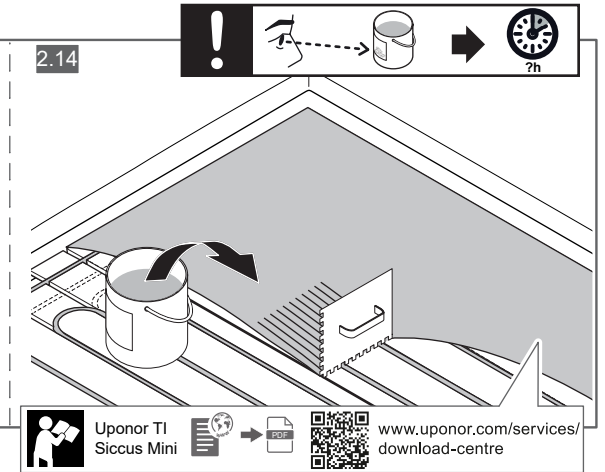
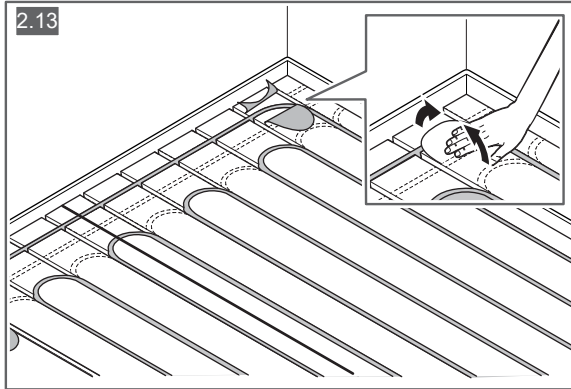
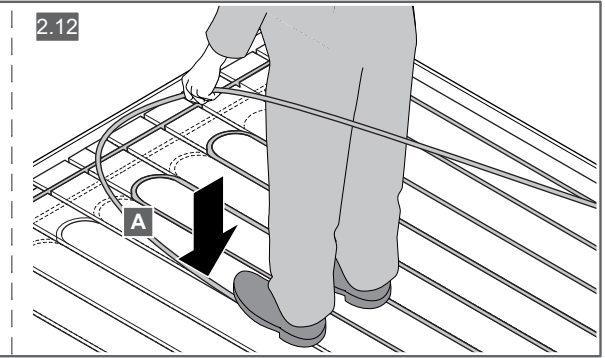
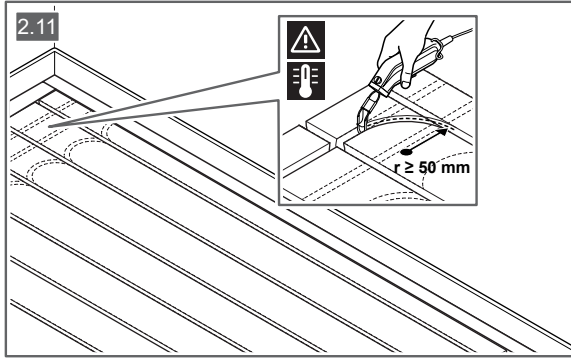
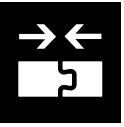
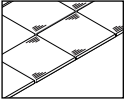
S1000637

2



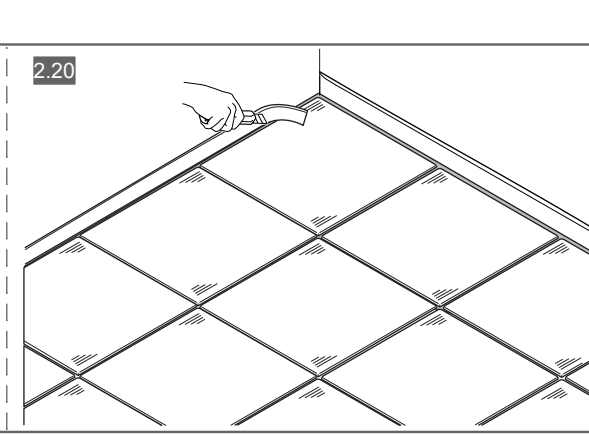
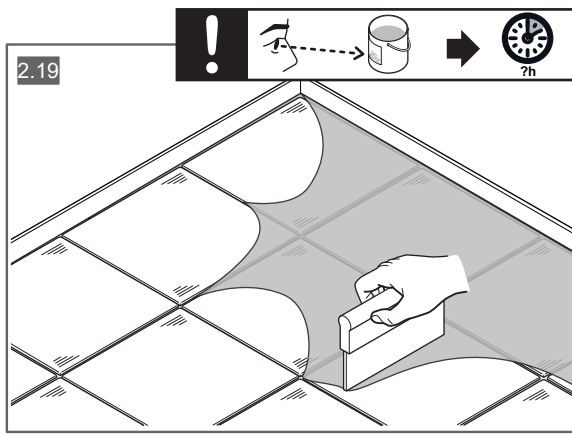
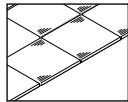
S10000638

2

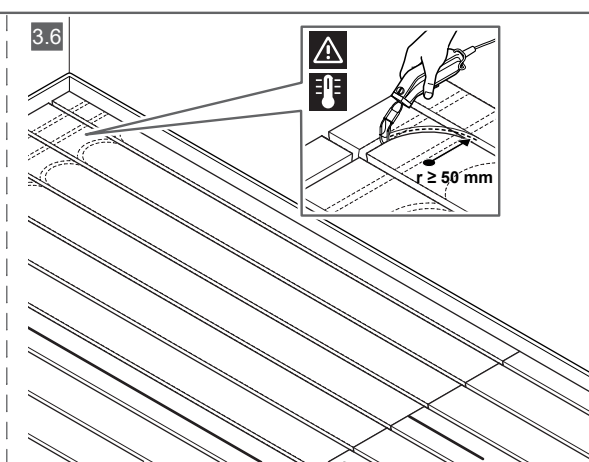
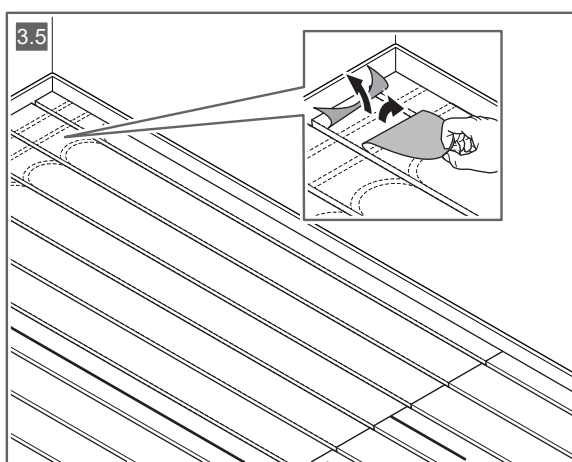
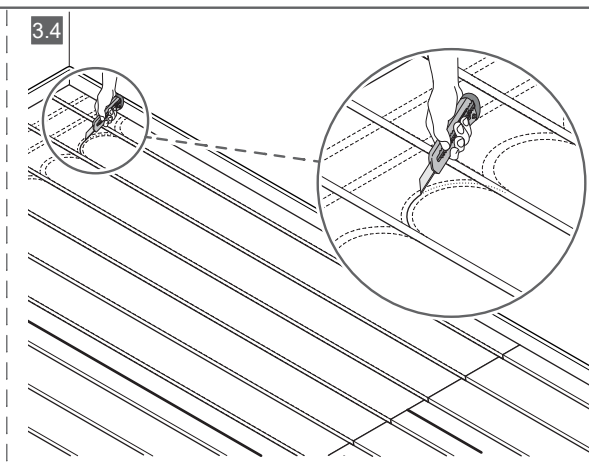
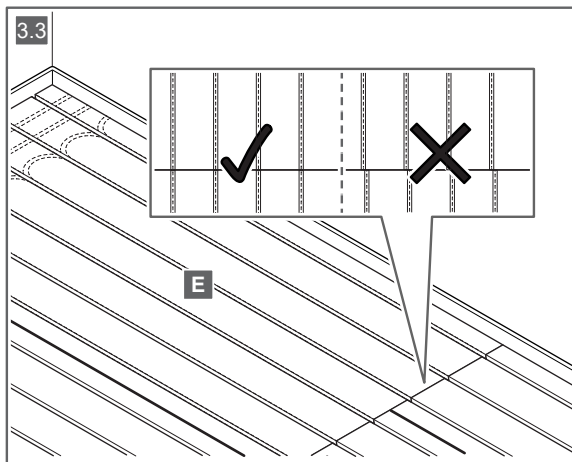
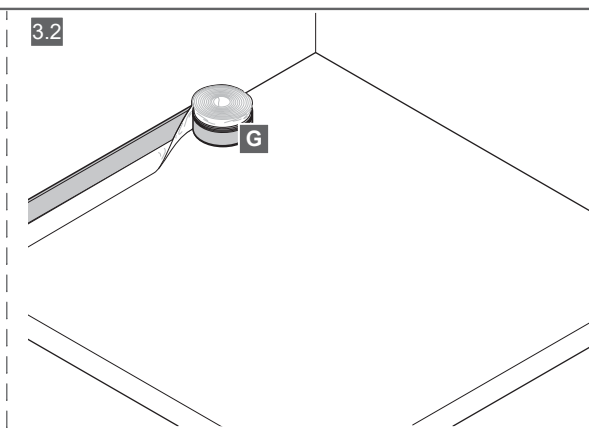
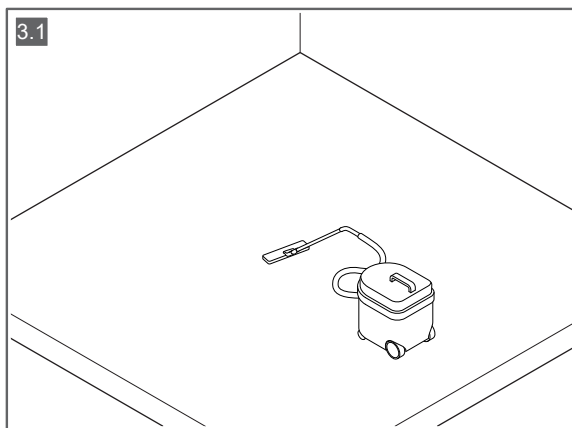
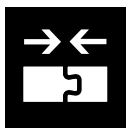
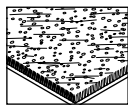


S10000639

2

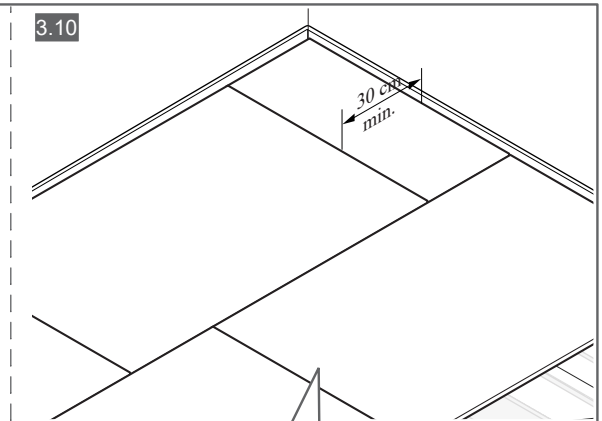
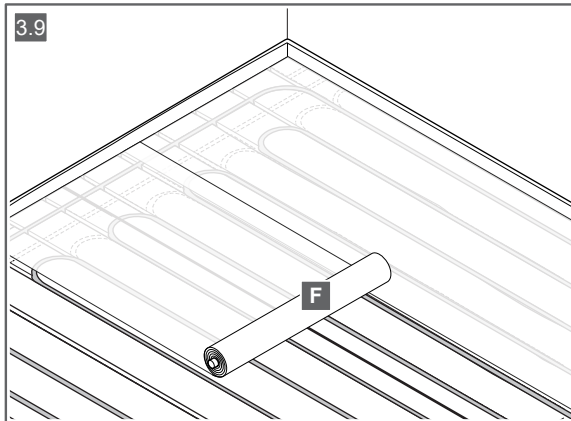
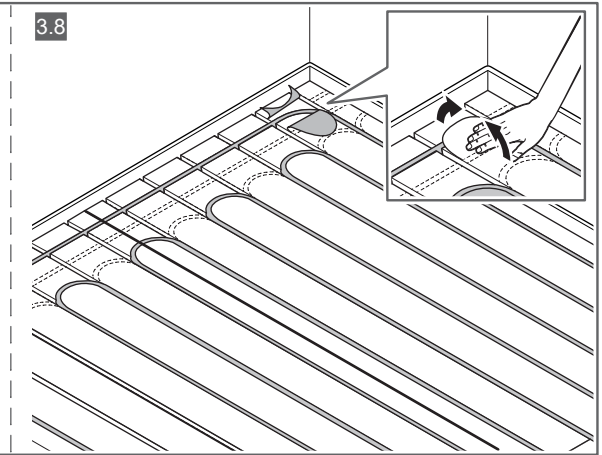
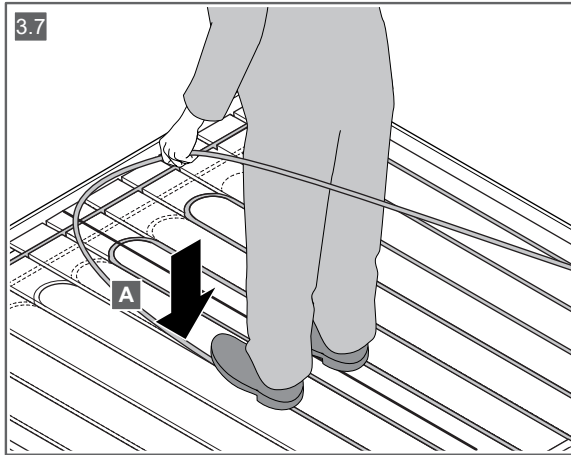
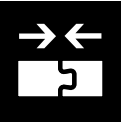
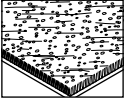


3



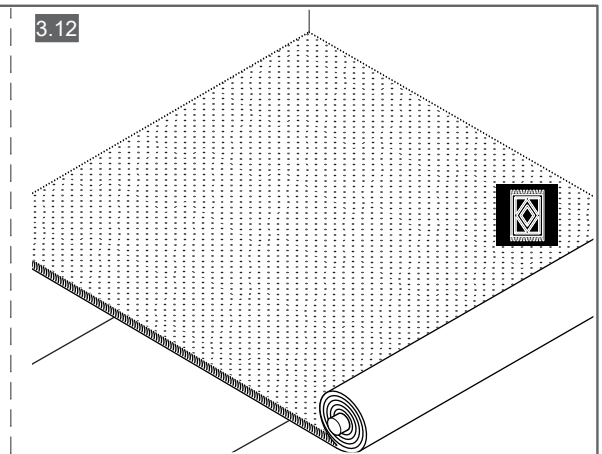
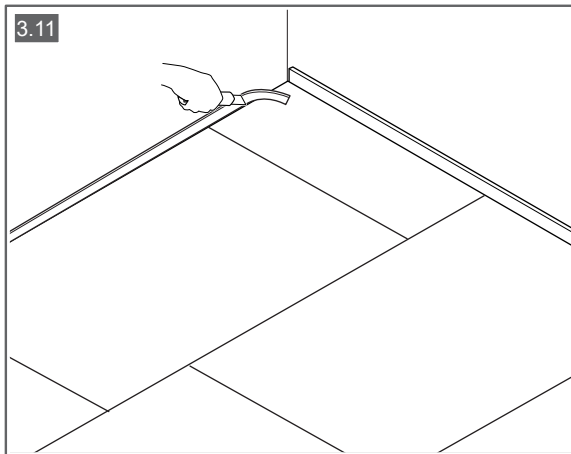
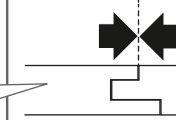
S10000643

3




Uponor TI Siccus Mini

www.uponor.com/services/download-centre



SI000064

Uponor GmbH

Industriestraße 56,
D-97437 Hassfurt, Germany

1140147 v1_04_2023_INT
Production: Uponor/SKA

Uponor reserves the right to make changes, without prior notification,
to the specification of incorporated components in line with its policy of
continuous improvement and development.



www.uponor.com