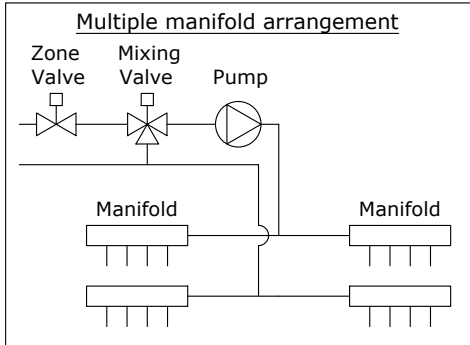


© Copyright Uponor Limited
 Copyright in this drawing belongs to Uponor Limited.
 This drawing may not be used, sold, licensed,
 transferred, copied or reproduced in whole or in part or
 in any manner or form other than with the prior written
 consent of Uponor Limited.



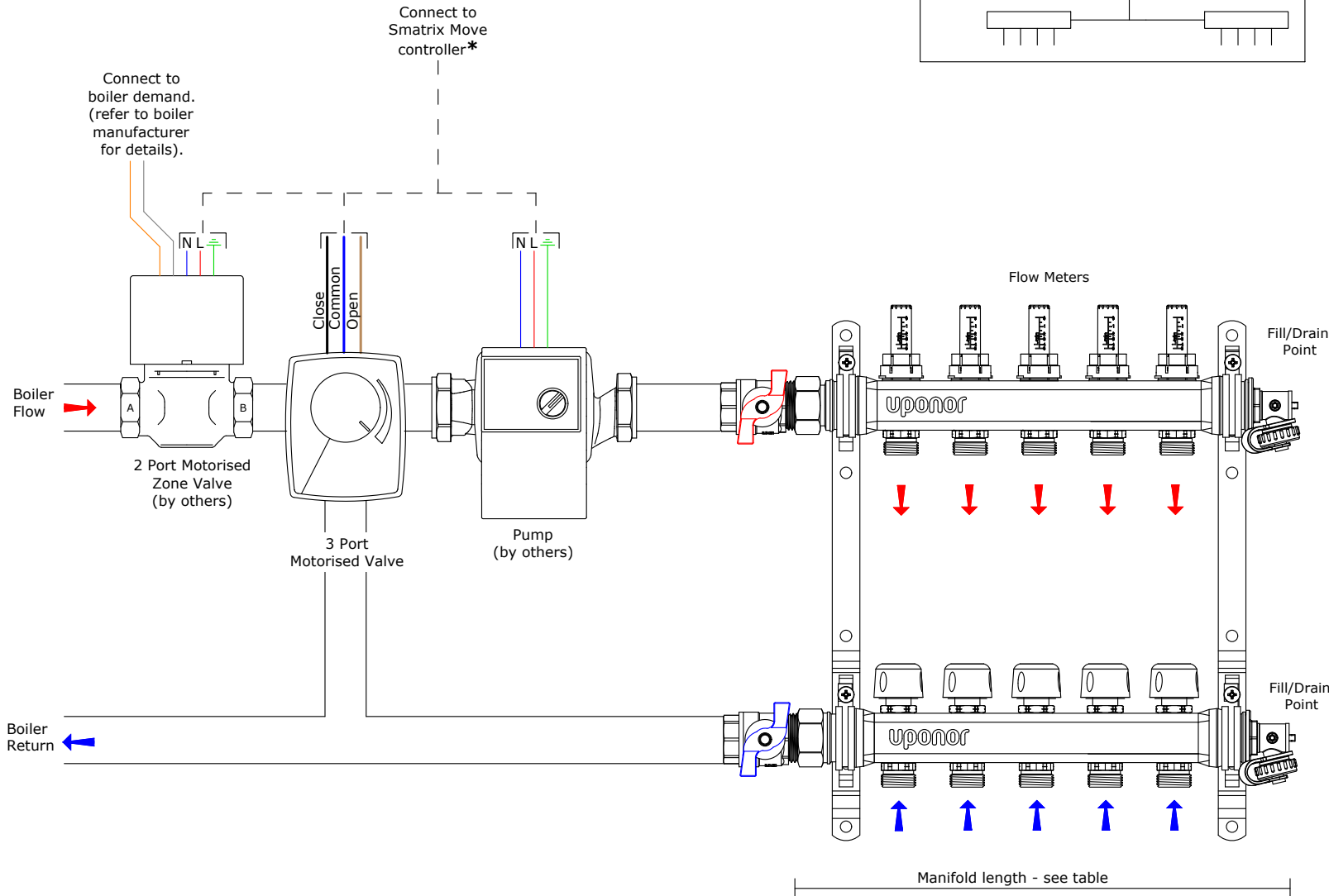
Uponor

Mechanical Schematic

3 Port Mixing Valve

Ref: 3PV-1.0A

* Refer to Smatrix Move electrical schematic for connections.



Manifold	Length
2 Port	210mm
3 Port	260mm
4 Port	310mm
5 Port	360mm
6 Port	410mm
7 Port	460mm
8 Port	510mm
9 Port	560mm
10 Port	610mm
11 Port	660mm
12 Port	710mm

The height of the manifold is 365mm and needs to be mounted at least 300mm from the floor.

- Notes,
- 1) A bypass is recommended on the primary circuit.
 - 2) The drawing excludes isolating & regulating valves for clarity.
 - 3) All items to be installed in accordance with manufacturer's instructions and current best practices.

Uponor reserve the right to alter specifications and operating parameters for all their systems at any time as part of their policy of continuous product development.