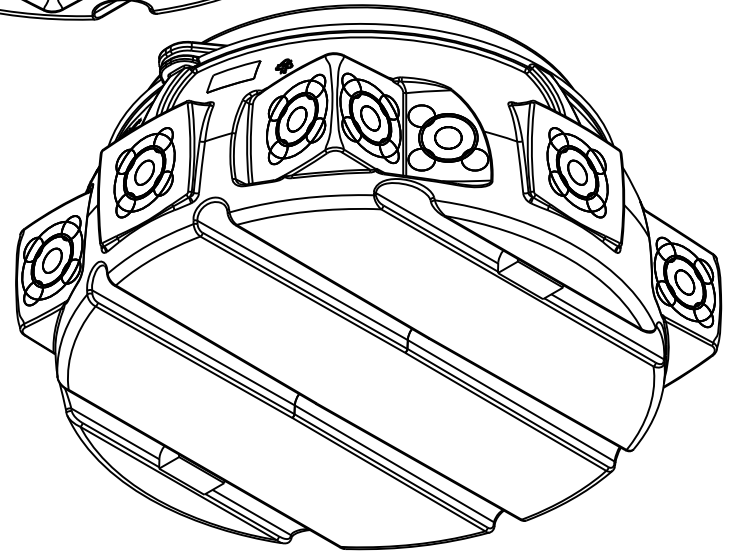
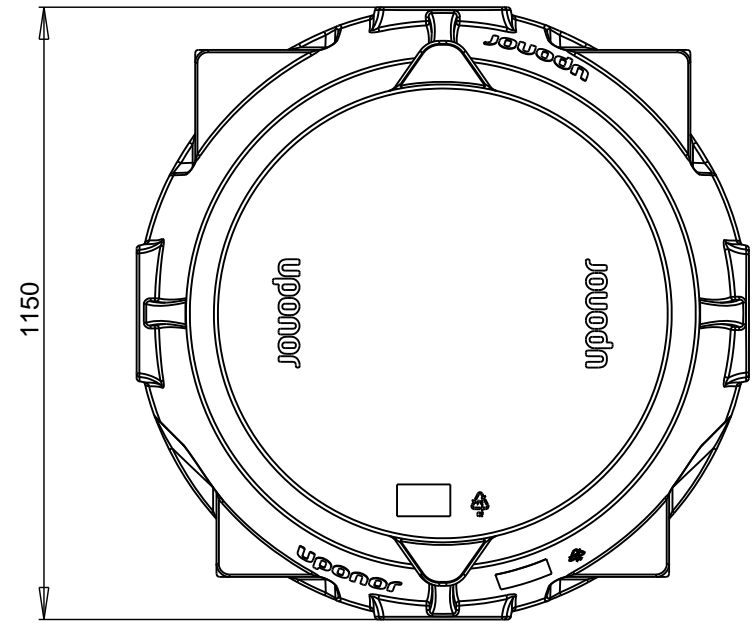
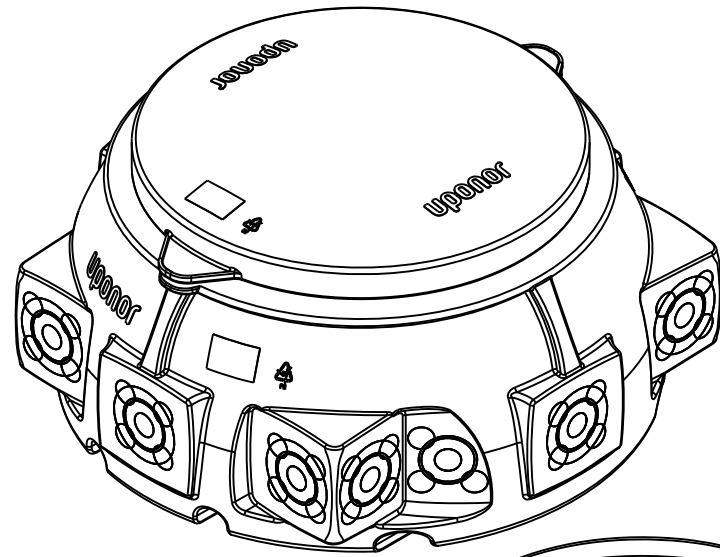
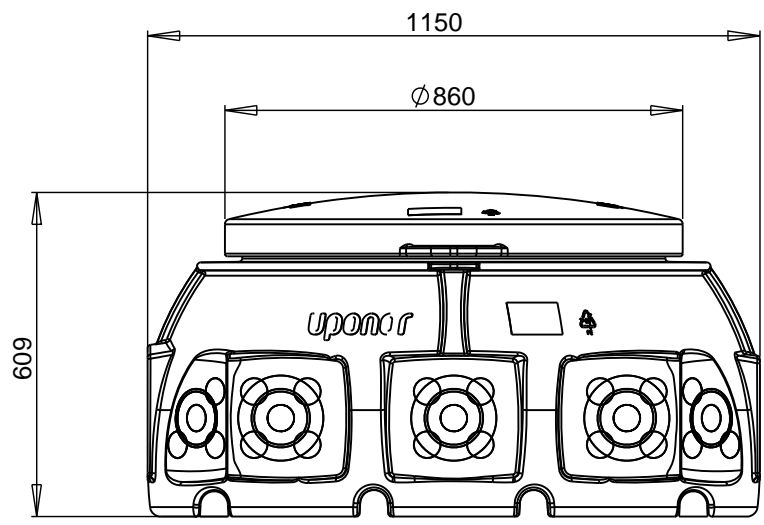


This document must not be copied without our written permission and the contents thereof must not be imparted to a third party nor be used for any unauthorized purpose, contravention will be prosecuted.



Markings		Material		Color		
Volume	Weight		Scale	Drawn	27/02/2007	
	mm <sup>3</sup>			g	Check.	Vekkele
					Appr.	
<b>uponor</b>		Title		Uponor no.		
Infrastructure and Environment Europe Product Development		BCT chamber assembly		Drawing no.		
				N01079 A.0		