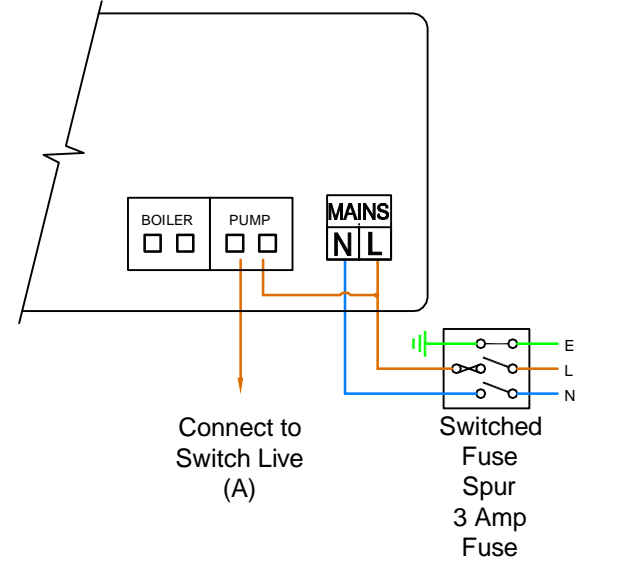
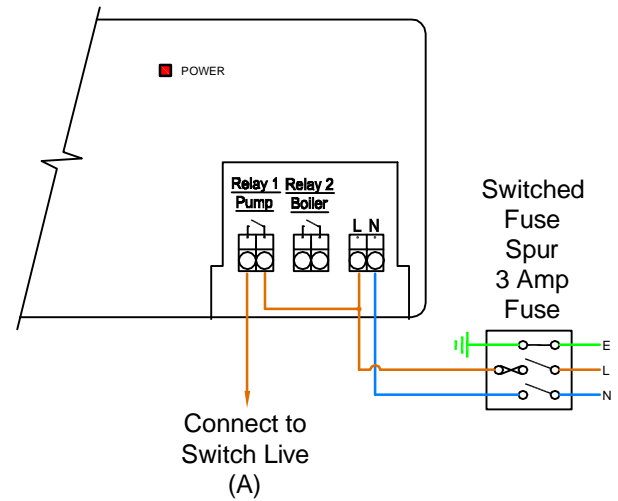


UPONOR 230V CONTROL CENTRE



UPONOR C-35/C-56 CONTROL CENTRE



Notes:- Set TMV valve to 45 for screed and 55 for timber suspended