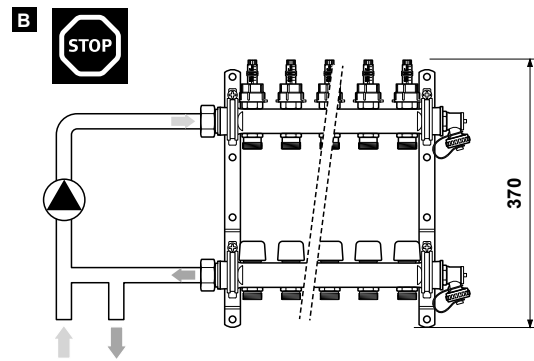
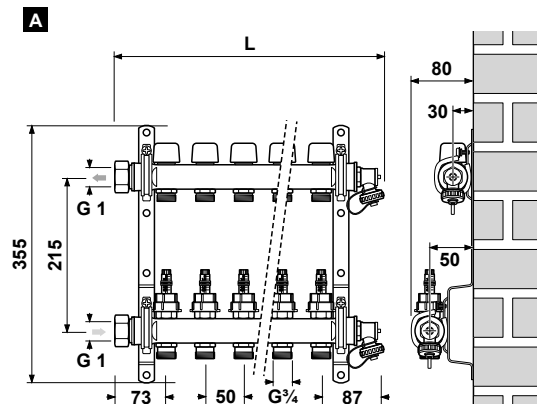
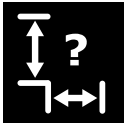
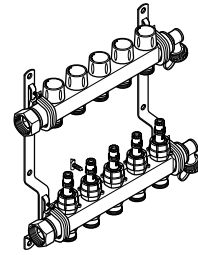


Uponor

Uponor Vario S Manifold FM



n	L [mm]	n	L [mm]	n	L [mm]
2	210	7	460	12	710
3	260	8	510	13	760
4	310	9	560	14	810
5	360	10	610	15	860
6	410	11	660	16	910



$\vartheta_{\text{sec}} = 15 - 60^{\circ}\text{C}$



$P_{\text{max}} = 6 \text{ bar}$



$P_{\text{test}} = 10 \text{ bar}$



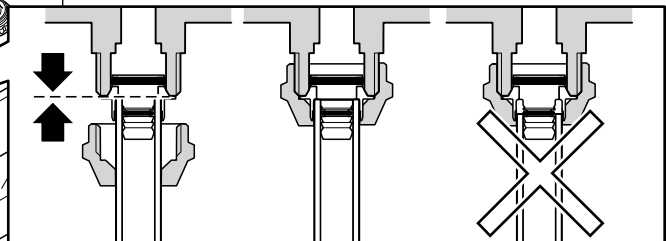
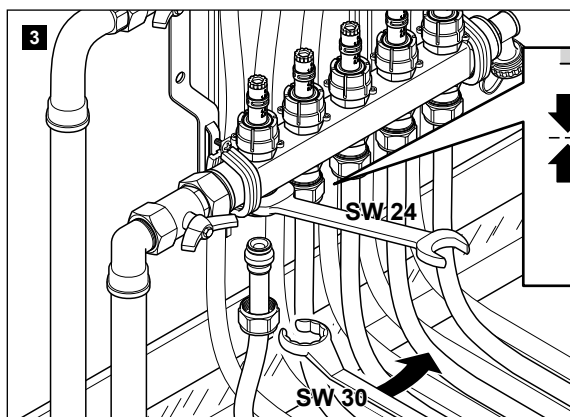
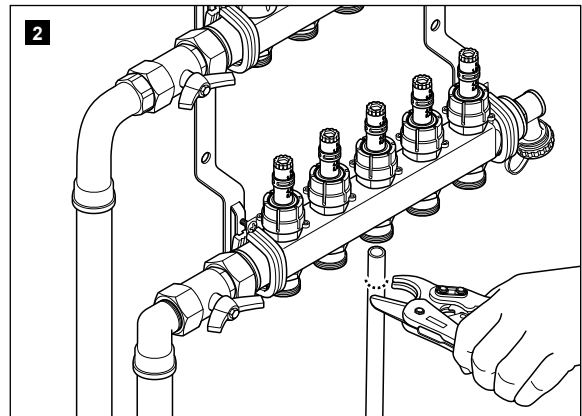
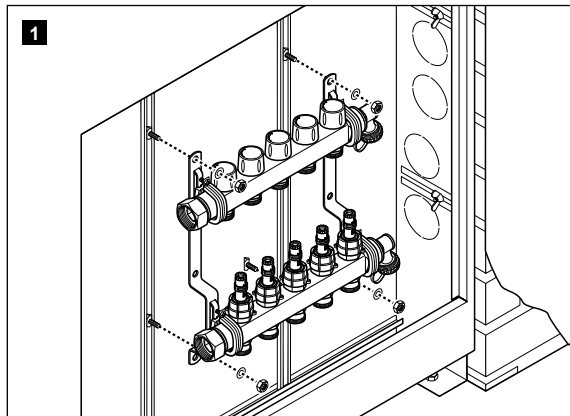
$kvs = 1,1 \text{ m}^3/\text{h}$

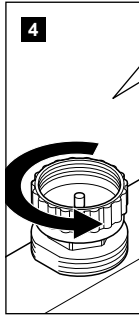
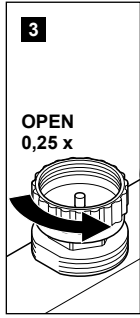
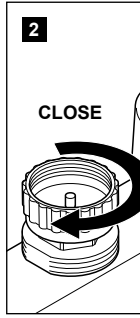
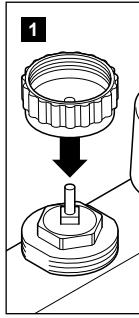


$kvs = 3,1 \text{ m}^3/\text{h}$



$\dot{V}_{\text{max}} = 3,6 \text{ m}^3/\text{h} (12 \text{ loops})$

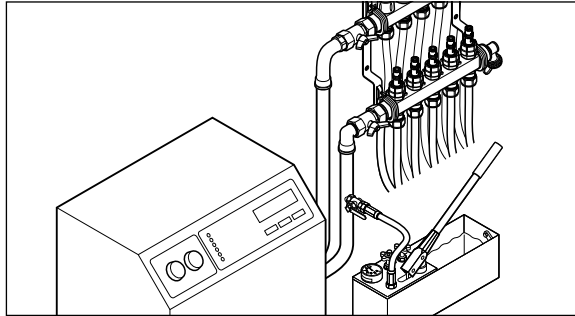
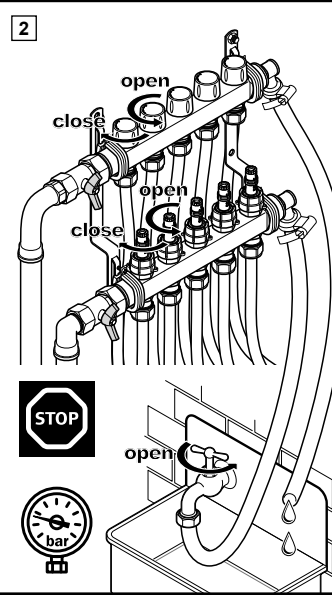
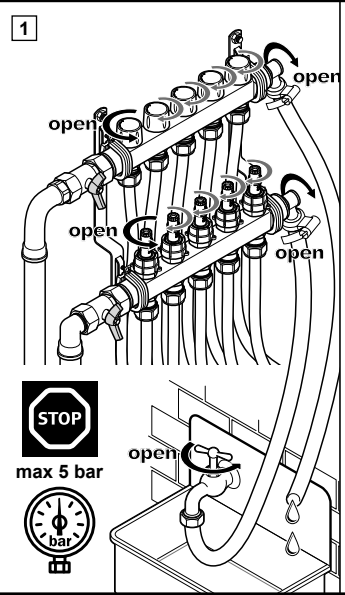
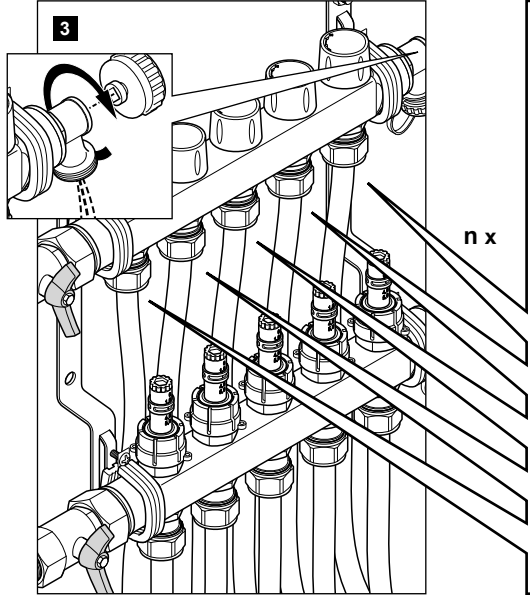
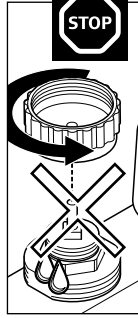




1,5 L/min

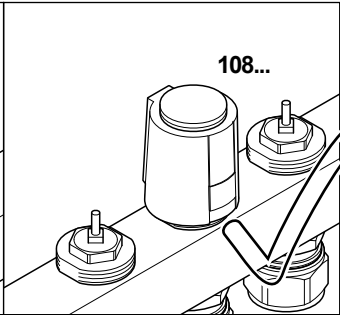
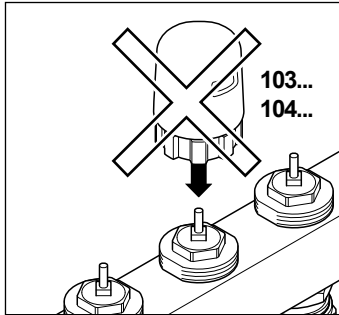
Uponor floor heating calculations
 Uponor Fußbodenheizungsrechenlung
 Uponor vloerwarmingberekening
 Calculations du chauffage par le sol Uponor
 Calcolo riscaldamento a pannelli radianti Uponor

Room heating circuit data			
Room No.	Room Name	Room Area (m ²)	Room Volume (m ³)
1	1	2	0,5
1	2	5	3
2	3	2	1
3	4	4	4
4	5	1,5	2



2 h

P = 4 - 6 bar



Uponor GmbH
 Industriestraße 56,
 D-97437 Hassfurt, Germany

1087620_05_2019_INT
 Production: Uponor / ELO_FME

Uponor reserves the right to make changes, without prior notification, to the specification of incorporated components in line with its policy of continuous improvement and development.



www.uponor.com