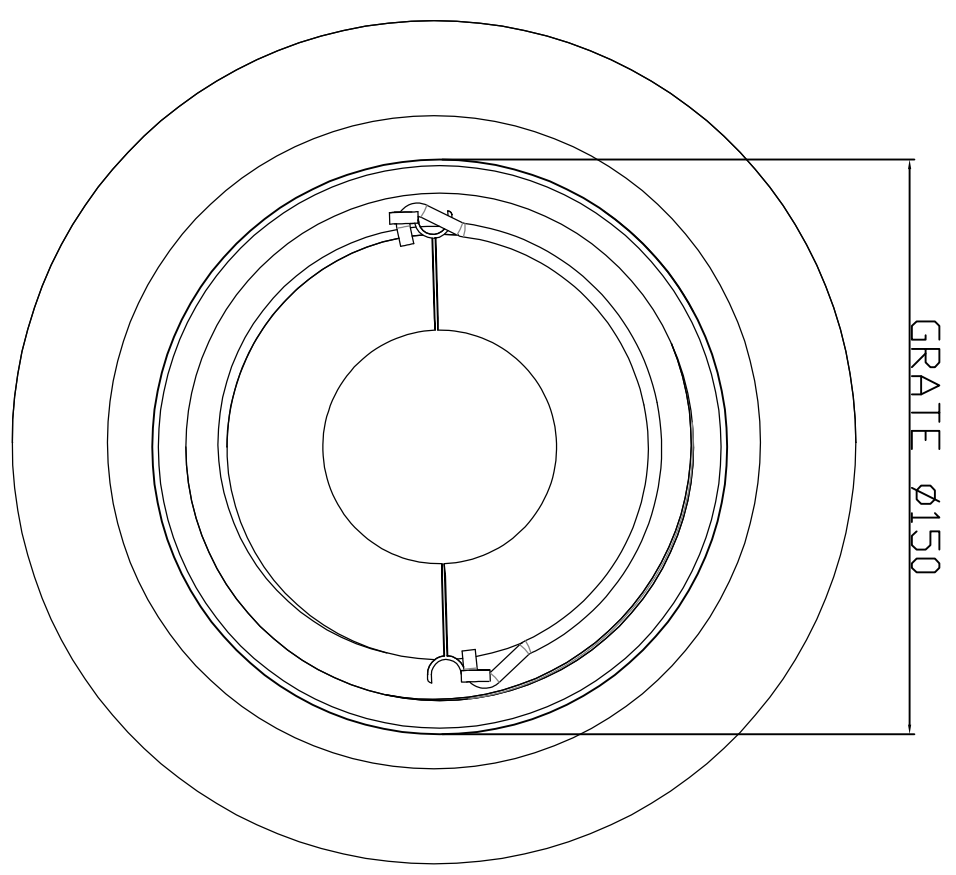
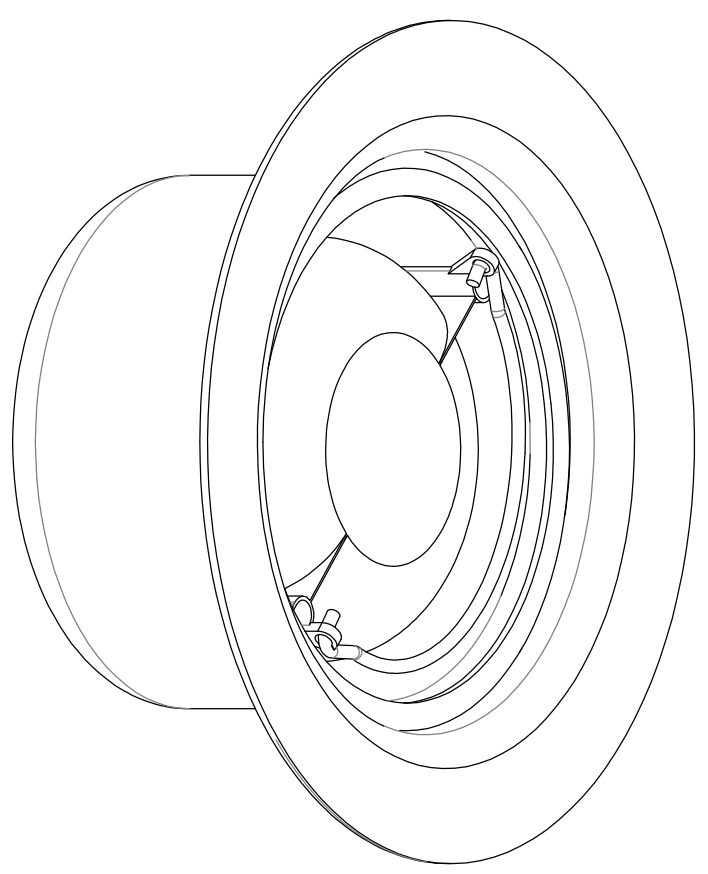
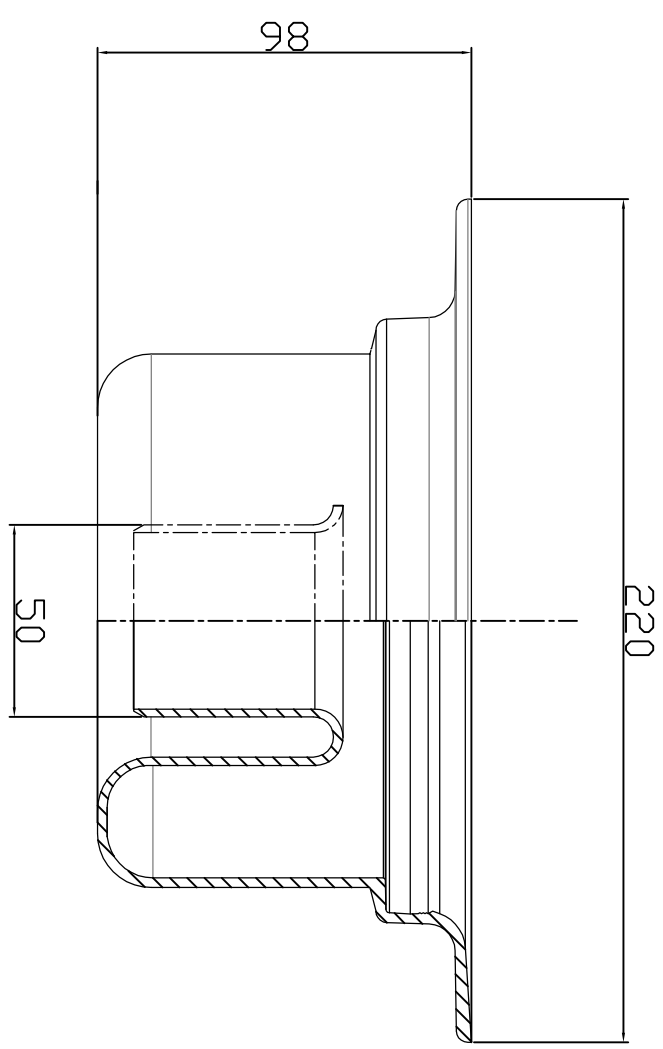


This document must not be copied without our written permission and the contents thereof must not be imparted to a third party nor be used for any unauthorized purpose, contravention will be prosecuted.



Uponor product number		Material	Color/finish	Drawing no.		
<b>1093060</b>		ABS	Blue	00176374		
Additional numbers			Scale	Drawn	NP:á	01/2019
<b>LVI 3313303</b>			Check.	Appr.		
<p><b>uponor</b></p> <p>Infrastructure and Environment Europe Product Development</p>		Description				
		DRAIN VERTICAL 50				

