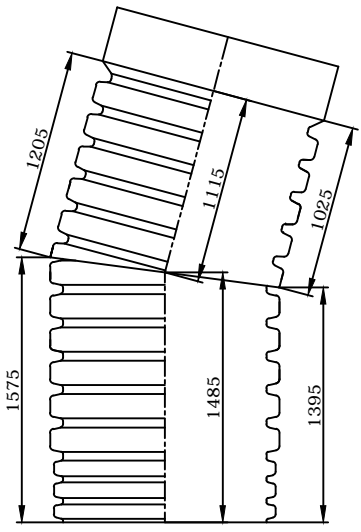
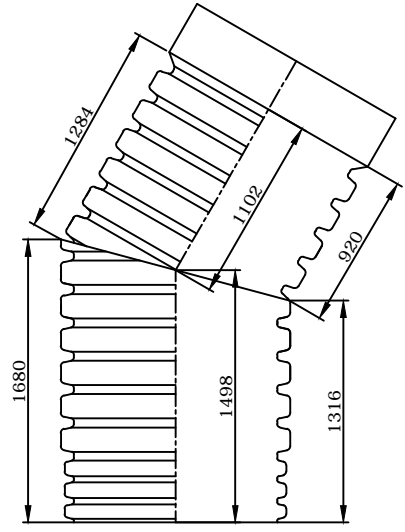


This document must not be copied without our written permission and the contents thereof must not be imparted to a third party nor be used for any unauthorized purpose, contravention will be prosecuted.

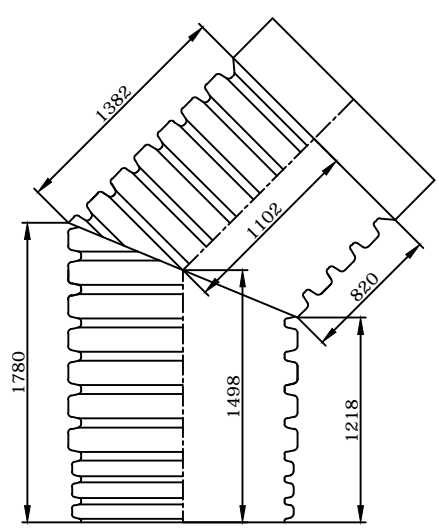
Böj 15°



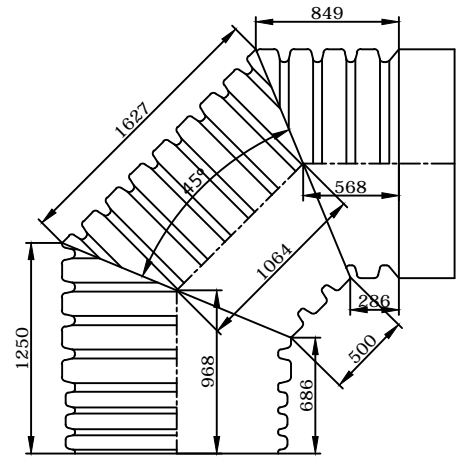
Böj 30°



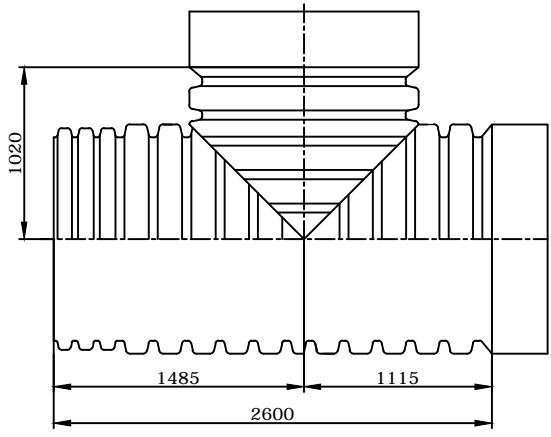
Böj 45°



Böj 90°



T-rör



BEND ID1200 15° Uponor no. 1051768  
 BEND ID1200 30° Uponor no. 1051769  
 BEND ID1200 45° Uponor no. 1051770  
 BEND ID1200 90° Uponor no. 1058173  
 TEE BRANCH ID1200 Uponor no. 1051761

Change	Location	Change description	Date	Signature
A	B2-B1	NEW UPONO NO. 1058173 ADDED	27.06.2011	M. HEINONEN
A	B2-B1	PRODUCT NAMES CHANGED	27.06.2011	M. HEINONEN

				PP	
Part	Name	Pcs	Material,color/Number/Tool no/Notes		
Surface	Volume	Weight	Scale	Drawn	27.06.2011 M. HEINONEN
Approvals	Markings		1:1	Check.	27.06.2011 R. JUUTI
Ass. Drw.	Prod. no			Appr.	27.06.2011 T. PARTANEN
				Title DW FITTINGS ID 1200	
		Uponor Suomi Oy Nastola Finland		Tooling	
				Drawing no.	
				N01419A	