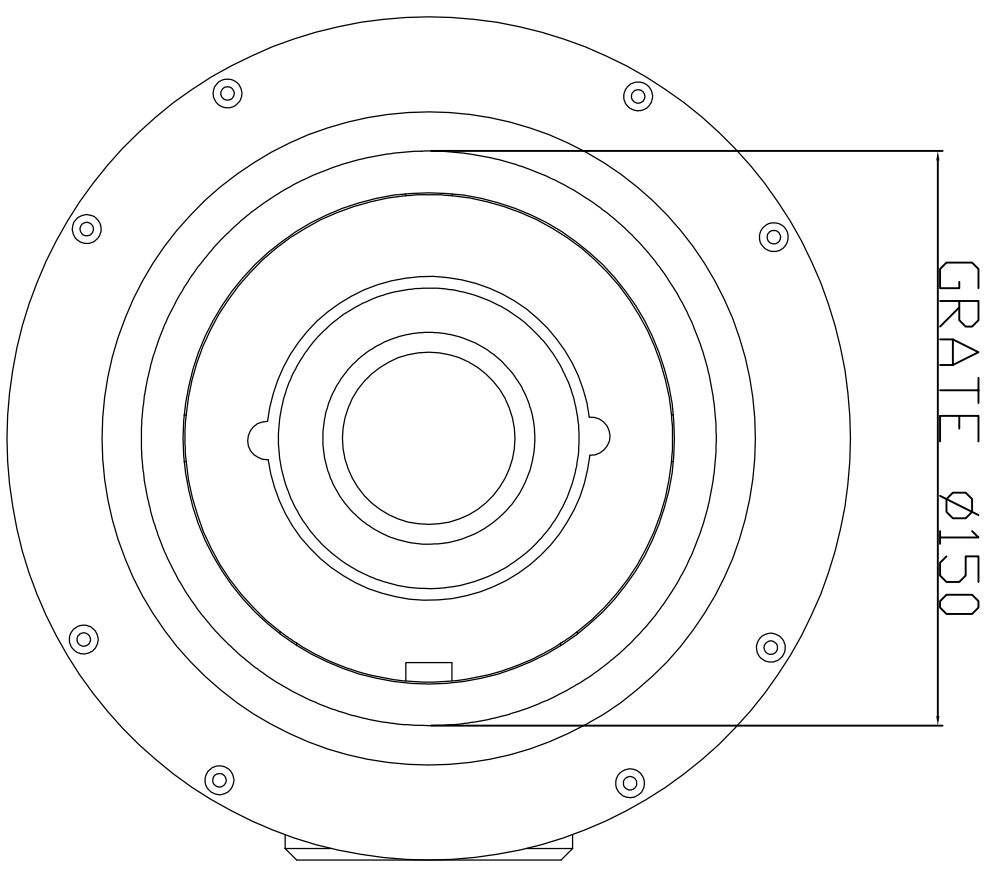
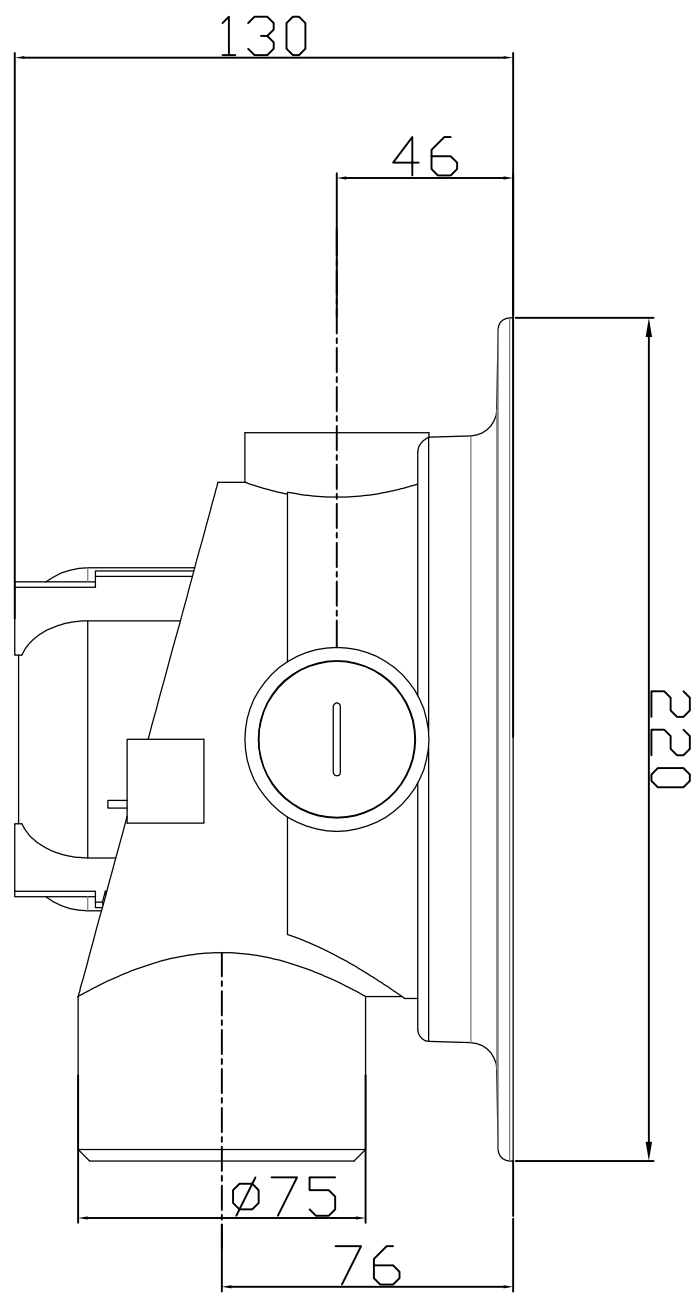
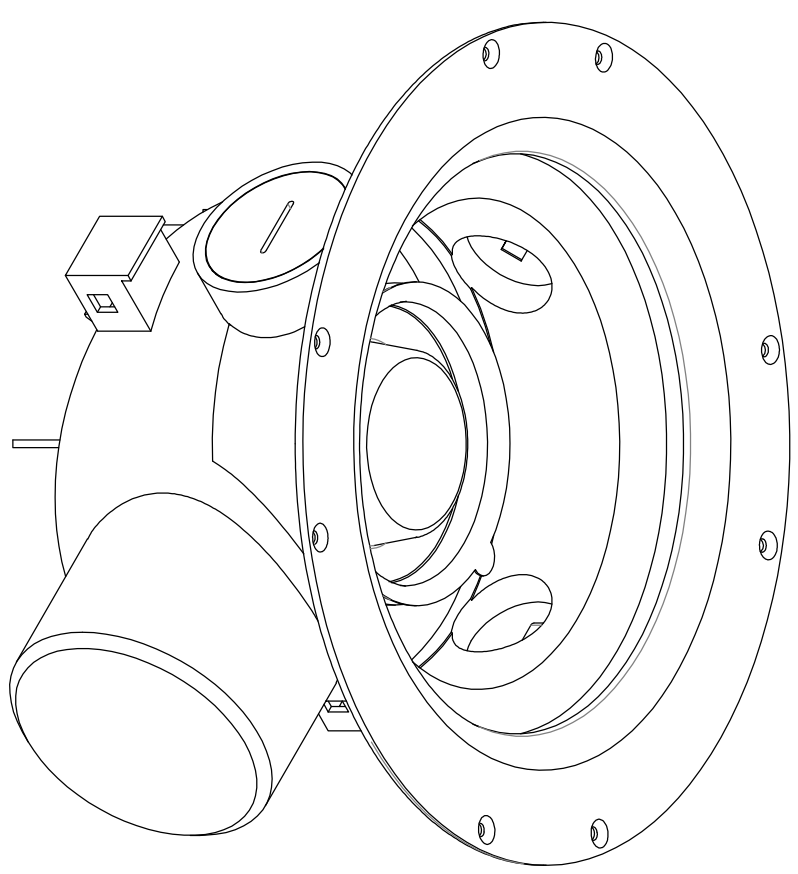


This document must not be copied without our written permission and the contents thereof must not be imparted to a third party nor be used for any unauthorized purpose, contravention will be prosecuted.



Uponor product number		Material	Color/finish	Drawing no.
<b>1093057</b>		PP	Blue	00176371
Additional numbers		Scale	Drawn	NPd
<b>LVI 3311604</b>			Check.	01/2019
		Appr.		

Description	
DRAIN HORIZONTAL 75 3X32	
Infrastructure and Environment Europe	
Product Development	

