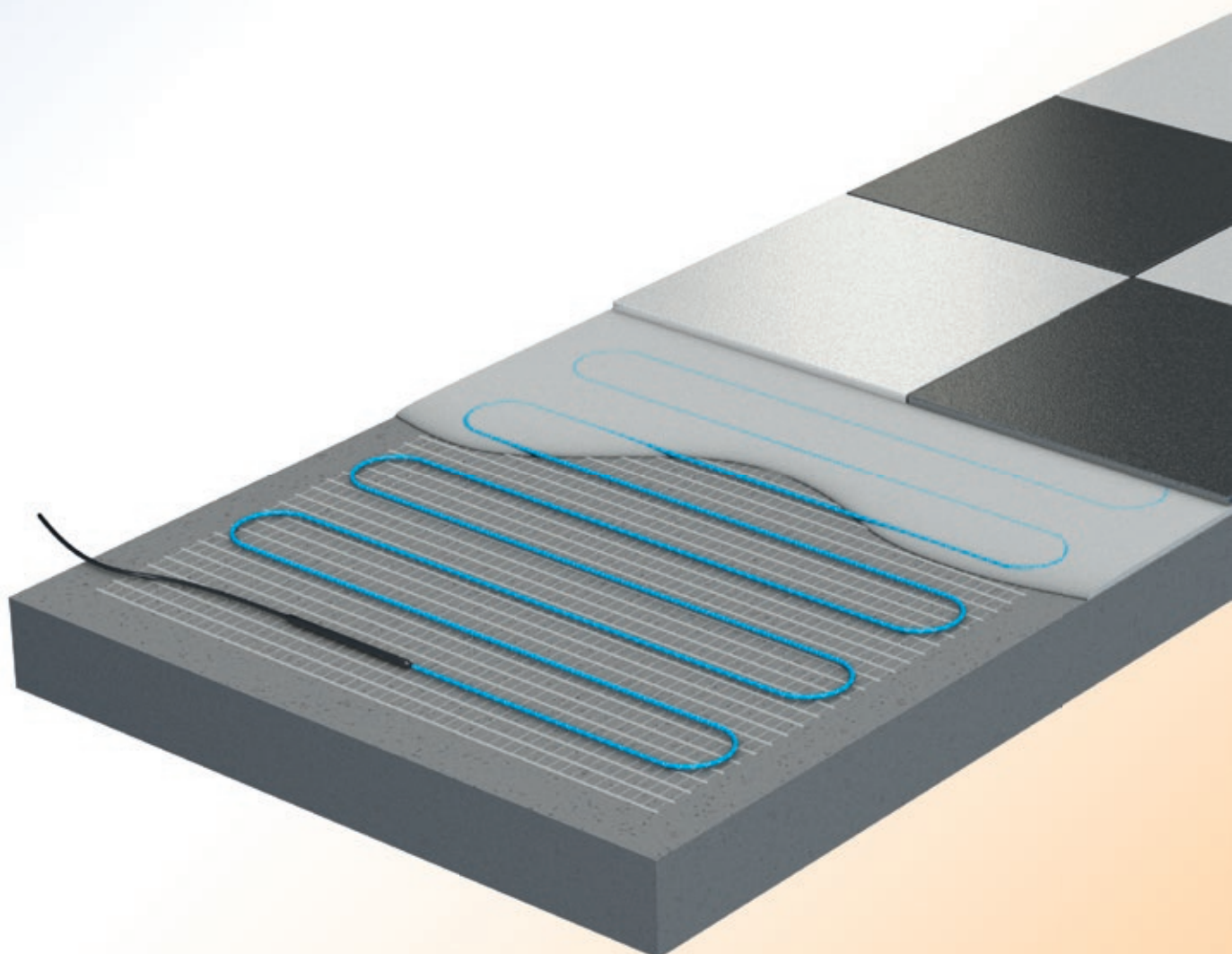


Uponor Comfort E Cable Mat

EN	Installation manual	2	NL	Installatiehandleiding	38
CZ	Montážní příručka	8	NO	Installasjonsanvisning	44
DE	Installationsanleitung	14	PL	Instrukcja instalacji	50
DK	Installationsvejledning	20	RU	Инструкция по установке	56
FI	Asennusohjeet	26	SE	Installationsanvisning	62
HU	Telepítési útmutató	32	SK	Montážny návod	68



Content

EN

Product Information regarding Commission Regulation (EU) 2015/1188	2	Installation and commissioning	5
Important notes on the intended use, safety and warranty	3	Installation instructions	5
Intended use	3	Step by Step Installation.....	6
Uponor Declaration of Warranty	3	Commissioning	6
		Uponor Comfort E installation and handover protocol	7
System description	4	Installation images	74
Floor construction	4		
Technical specifications	4		
Design data	4		

Product Information regarding Commission Regulation (EU) 2015/1188

Information requirements for electric local space heaters

Model identifier(s): **Uponor Comfort E Cable Mat 160 & Uponor Comfort E thermostat dig.prog. Flush Set T-87IF 1088668 - 1088679**

Item	Symbol	Value	Item	T-87IF ¹⁾	T-86	T-85
Heat output			Type of heat input, for electric storage local space heaters only (select one)			
Nominal heat output	P _{nom}	0,16 - 1,92 ²⁾ kW	manual heat charge control, with integrated thermostat	No	No	No
Minimum heat output (indicative)	P _{min}	N.A. kW	manual heat charge control with room and/or outdoor temperature feedback	No	No	No
Maximum continuous heat output	P _{max,c}	0,16 - 1,92 ²⁾ kW	electronic heat charge control with room and/or outdoor temperature feedback	No	No	No
Auxiliary electricity consumption			Type of heat output/room temperature control (select one)			
			fan assisted heat output	No	No	No
At nominal heat output	e _{l max}	< 0,001 < 0,001 < 0,001 kW	single stage heat output and no room temperature control	No	No	No
At minimum heat output	e _{l min}	< 0,001 < 0,001 < 0,001 kW	two or more manual stages, no room temperature control	No	No	No
In standby mode	e _{l SB}	< 0,001 < 0,001 < 0,001 kW	with mechanic thermostat room temperature control	No	No	No
			with electronic room temperature control	No	No	No
			electronic room temperature control plus day timer	No	No	No
			electronic room temperature control plus week timer	Yes	Yes	Yes ³⁾
			Other control options (multiple selections possible)			
			room temperature control, with presence detection	No	No	No
			room temperature control, with open window detection	No	No	Yes ⁴⁾
			with distance control option	No	No	No
			with adaptive start control	Yes	Yes	No
			with working time limitation	Yes	No	Yes
			with black bulb sensor	No	No	No

¹⁾ Part of the Comfort E Cable Mat Set

²⁾ 160, 240 W (1; 1,5 qm) not under this regulation

³⁾ with extern week timer connected with room thermostat (on side)

⁴⁾ with extern open window detection (on side)

Uponor GmbH - Industriestr. 56 - 97437 Hassfurt - www.uponor.com

Conformity of EU 2015 / 1188 only by defined temperature controller with described functionality.

Important notes on the intended use, safety and warranty

Intended use

Uponor Comfort E is an electric underfloor heating system that is used for tempering or heating rooms within enclosed buildings. Installation is carried out according to the rules of technology and relevant directives, on the appropriate subsoil below the flooring approved by the respective manufacturer. Any other use is not intended and leads to the extinguishing of the manufacturing warranty.

Uponor Declaration of Warranty for Comfort E Cable Mat

Be safe – how to receive the Uponor Declaration of Warranty:

Use the possibility to obtain an up to 10-year warranty for your building project on the used Uponor Comfort E cable mat heating mats.

The Uponor Declaration of Warranty is based on the confirmation, that all Uponor products have been installed by an installation specialist in accordance with the relevant assembly instructions, in compliance with the relevant laws, regulations and the established rules of technology.

The easy way to the Uponor Declaration of Warranty:

1. You are an installation specialist and you have installed the appropriate Uponor system for which the Uponor Declaration of Warranty is to be issued.
2. The products were installed no more than 3 month ago.
3. Request the registration form for the "Uponor Declaration of Warranty" and fill it out completely, as well as the "Uponor Comfort E Installation and Handover Protocol" of these Installation Instructions, including company stamp and signature. Send the documents by e-mail (warranty.comfort-e@uponor.com) to Uponor.
4. Within a few working days, you will receive the original Uponor Declaration of Warranty.

If Uponor products are assembled or mixed with third-party products within an installation, no Uponor Declaration of Warranty can be issued or it will lose its validity in retrospect.

Important safety instructions for installation

- The heating mats may only be operated in combination with a room temperature controller with connected floor temperature controller.
- The heating mats may only be connected to the 230 V mains voltage via a connection socket. A residual current circuit breaker with a tripping current of 30 mA has to be installed.
- When laying the heating mat, a distance of at least 60 mm to conductive building parts (such as water pipes) must be observed.
- The heating mats may not be laid underneath furniture and sanitary facilities which stand directly and without feet on the floor in order to avoid overheating during operation.
- The connection sleeves of the heat and cold conductor must not be subject to tension.
- The heating cables must not be passed through expansion joints or through or behind isolation and isolation material.
- For the heating cables, a minimum bending radius of 30 mm must not be exceeded.
- The heating cables must not be kinked or otherwise damaged during installation. Crossing of the heating cables is not permitted.
- If several heating mats are installed in a room, they must only be connected in parallel to the mains voltage. Never connect in series!
- The laying temperature must be at least 5 °C.



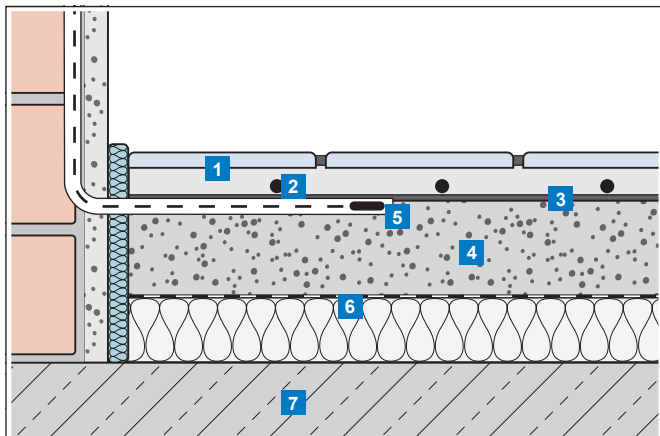
Attention! Risk of electric shock!

The Uponor Comfort E electric floor heating is operated with a 230 V AC voltage. Connections to the power supply network may be carried out by qualified personnel only.

Uponor reserves the right to make changes, without prior notification, to the specification of incorporated components in line with its policy of continuous improvement and development.

System description

EN Floor construction (Example)



- 1 Tile adhesives with tiles
- 2 Uponor Comfort E heating mats
- 3 Optional: primer, filler
- 4 Screed
- 5 Floor sensor in protective tube
- 6 Insulation layer with insulation layer cover
- 7 Load-bearing substrate (eg concrete)

Technical specifications

Technical specifications Uponor Comfort E cable mat	
Nominal voltage	230 V, AC
Rated capacity	160 W/m ²
Circuit breaker ¹⁾ with C-Characteristics	Max. 16 A
Min. bending radius	30 mm
Min. installation distance	60 mm
Max. operating temperature	+90 °C
Min. installation temperature	+5 °C
Conductor cross section of the connection cable	3 x 0,75 mm ²
Length of the connection cable	4,0 m
Approvals	VDE, CE

¹⁾ When several heating mats are connected to a fuse box, the total connection current of the mats is limited to max. 16 A.

Important!

The Uponor Thermostat T-871F will switch 10 A. Any combination of mats or cables can be connected as long as the total load does not exceed this value.

Design data

Heating mat type	Laying area (m ²)	Heating mat length (m)	Heating mat capacity (W)	Heating mat resistance ¹⁾ (Ω)
UPONOR COMFORT E CABLE MAT 160-1	1	2	160	329
UPONOR COMFORT E CABLE MAT 160-1,5	1,5	3	240	224
UPONOR COMFORT E CABLE MAT 160-2	2	4	320	171
UPONOR COMFORT E CABLE MAT 160-2,5	2,5	5	400	132
UPONOR COMFORT E CABLE MAT 160-3	3	6	480	107
UPONOR COMFORT E CABLE MAT 160-4	4	8	640	85
UPONOR COMFORT E CABLE MAT 160-5	5	10	800	69
UPONOR COMFORT E CABLE MAT 160-6	6	12	960	55
UPONOR COMFORT E CABLE MAT 160-7	7	14	1120	48
UPONOR COMFORT E CABLE MAT 160-8	8	16	1280	42
UPONOR COMFORT E CABLE MAT 160-10	10	20	1600	33
UPONOR COMFORT E CABLE MAT 160-12	12	24	1920	28

¹⁾ Tolerance -5% to +10%

Installation and commissioning

Installation instructions

General information

The heating cables must not be shortened and not cross or touch any heating cables or other cables. It is not permissible to lay the heating cables over movement joints. The connection cable may be laid in a protective tube by crossing movement joints. No heating cables may be installed underneath floor standing sanitary facilities such as bathtubs, toilets or showers. Likewise, the laying under furniture without legs such as wardrobes is not allowed, since here a sufficient air circulation for the dissipation of the heat is not given.

Planning notes

The substrate must be suitable for laying. In particular, the flatness and strength must be checked. If necessary, the subsoil must be compensated or otherwise prepared for the installation of the Comfort E system. Before laying, the relevant standards and guidelines for the floor construction must be known and observed. In case of non-consideration and non-professional planning and installation, the warranty claim expires. When planning, the position of the heating mats, the floor temperature sensor and the room temperature controller should be entered into the construction drawing. The arrangement of existing and future furnishings, such as floor-standing sanitary objects or wardrobes, etc., must be taken into account.



Important!

The heating mats must not be shortened and must therefore be ordered in accordance with the room geometry.

Preparation of the substrate

The Uponor Comfort E cable mat underfloor heating system can be laid on all flat, solid and heat-resistant surfaces. A thermal isolation in the floor is imperative to minimize downward heat loss. The substrate must be cleaned first. If necessary, use a suitable levelling compound or other measures to ensure the necessary flatness and adhesion of the substrate to the heating system. Direct laying on chipboard or wooden floors is not permitted without additional decoupling mats. Observe the instructions of the covering manufacturer.

Installation of room thermostat and floor temperature sensor

For the installation of the room temperature controller, a commercially available flush-mounted socket outlet with 230 V AC power supply must be provided to the selected location. From there, two protective tubes for the connection cable and the floor temperature sensor cable must be slotted into the wall to the ground. The protective tube for the floor temperature sensor must also be installed in the floor flush with the surface to the position of the sensor. The heating mat connection cable and floor temperature sensor cable must not be installed in the same protective tube! If several heating mats are to be connected in parallel to the room temperature controller, a flush-mounted junction box must be installed. A residual current circuit breaker (30 mA) must be installed for fusing. The separate instructions for the room temperature controller must be observed.

Floor coverings

The suitability of floor coverings used for electric underfloor heating systems must be confirmed by the respective manufacturer. In addition, all further specifications of the manufacturer have to be observed. In the area of the installed heating mats, no holes (e.g. for fixing door stops) may be inserted into the floor. Heat insulating covers such as thick carpets are not permitted in the area of the electric floor heating, since they lead to overheating or heat build-up.

Step by Step Installation

1. Compare the delivered material with your order
2. Measure the isolation resistance with the isolation tester and the heating mat resistance with the ohmmeter to check the supplied heating mats and enter the values into the enclosed Uponor Comfort E installation and handover protocol. Compare the values with the factory default values.
3. Install the protective tubes, the UP switch box and, if necessary, the UP junction box in the wall. For a surface-flush positioning of the floor temperature sensor protective tube and the floor temperature sensor centrally under two heating cables, the substrate may also have to be cut or pasted. Insert the floor temperature sensor and the cable into the sensor protective tube.
4. Roll out the Comfort E heating mats according to the laying plan. Remove the protective film step by step from the adhesive surface and press the heating mats onto the substrate. For change of direction, cut the backing fabric of the heating mats with scissors. The heating cable must neither be severed nor damaged. Heating cables must not be crossed or routed over movement joints.
5. Place the heating mats so that the floor temperature sensor is located in the center below two heating cables. Insert the cold conductor through the protective tube into the flush-mounted switch box or into the flush-mounted junction box and mark the cable ends of the respective heating mat.
6. Remove the isolation from the cable ends and measure once more isolation resistance and the heating mats resistance. Enter the measured values into the enclosed Uponor Comfort E installation and handover protocol.
7. Subsequently, the levelling compound suitable for the floor covering can be installed according to the requirements and specifications of the respective manufacturer. Then the floor covering can be laid.
8. Following the laying of the floor covering, the final control of the heating mat isolation and heating mat resistance is carried out. Enter the measured values into the enclosed Uponor Comfort E installation and handover protocol. To receive the Uponor product warranty, all measurements must be documented in the Uponor Comfort E installation and handover protocol. This protocol has to be attached to the warranty request.
9. Connect the supply cable of the heating mats as well as the floor temperature sensor to the room temperature controller and connect it to the 230 V power supply. Observe the additional installation and operating instructions of the room temperature controller.



Attention! Risk of electric shock!

The Uponor Comfort E electric floor heating is operated with a 230 V AC voltage. Connections to the power supply network have only to be carried out by qualified personnel.

Commissioning

Carry out a function test by turning on the electrical room temperature controller and making the desired settings.

Subsequently, the heating system can be handed over to the client or the user. The handover includes:

- the installation plan, on which the number and position of the individual heating mats (including the respective heating capacities) as well as the location of the junction boxes, the floor temperature sensor and the room temperature controller are noted,

- the assembly and operating instructions as well as
- the Uponor Comfort E installation and handover protocol.

The documents must be stored carefully and available at all times in order to be able to reconstruct the location of the individual heating mats.

Attention!

In the area of the installed heating mats, no holes (e.g. for fixing door stops) may be inserted into the floor.

Uponor Comfort E installation and handover protocol*

Building project / address

Specialist for installation and 230 V connection

Stick on product labels here

Stick on product labels here

Compare the values entered in the table below with the factory default values according to the table "Design data"

Resistance and isolation measurements		Before laying the heating mats		After laying the heating mats / Before laying the covering		After laying the covering	
Room no. / designation	Item no. the heating mat	Heating mat resistance ¹⁾ (Ω)	Isolation resistance ²⁾ (MΩ)	Heating mat resistance ¹⁾ (Ω)	Isolation resistance ²⁾ (MΩ)	Heating mat resistance ¹⁾ (Ω)	Isolation resistance ²⁾ (MΩ)

¹⁾ Tolerance -5% to +10% ²⁾ Minimum isolation resistance 10 MΩ

The Uponor Comfort E electric underfloorheating has been professionally installed in accordance with the manufacturer's instructions, connected to the 230 V power network and handed over fully functional with the following documents:

- Installation and operating instructions
- Installation photos
- Installation plan / drawing
- Comfort E installation and handover protocol

Location, date

Signature Contractor / qualified electrical installer

Location, date

Signature customer / building owner

* To receive the Uponor product warranty, all measurements must be documented in the Uponor Comfort E installation and handover protocol. This protocol has to be attached to the warranty request.

Obsah

Informace o výrobku týkající se nařízení Komise (EU) 2015/1188 8

Důležitá upozornění týkající se zamýšleného způsobu použití, bezpečnosti a záručních podmínek 9

Zamýšlený způsob použití 9
Prohlášení o záručních podmínkách společnosti Uponor 9

Popis systému 10

Podlahová konstrukce 10
Technické specifikace 10
Technické parametry 10

Montáž a uvedení do provozu 11

Pokyny k montáži 11
Montáž krok za krokem 12
Uvedení do provozu 12
Montážní a předávací protokol systému Uponor Comfort E 13

Obrazové podklady k montáži 74

CZ

Informace o výrobku týkající se nařízení Komise (EU) 2015/1188

Požadavky na informace týkající se elektrických lokálních topidel

Identifikační značka (značky) modelu: Uponor Comfort E Cable Mat 160 & Uponor Comfort E thermostat dig.prog. Flush Set T-87IF 1088668 - 1088679

Údaj	Značka	Hodnota	Údaj	T-87IF ¹⁾	T-86	T-85
Údaj			Údaj			
Teplný výkon			Pouze u akumulčních elektrických lokálních topidel: typ příjmu tepla (vyberte jeden)			
Jmenovitý tepelný výkon	P_{nem}	0,16 - 1,92 ²⁾	kW	ruční řízení akumulace tepla s integrovaným termostatem	ne	ne
Minimální tepelný výkon (orientační)	P_{min}	N.A.	kW	ruční řízení akumulace tepla se zpětnou vazbou informující o teplotě v místnosti a/nebo venkovní teplotě	ne	ne
Maximální trvalý tepelný výkon	$P_{max,c}$	0,16 - 1,92 ²⁾	kW	elektronické řízení akumulace tepla se zpětnou vazbou informující o teplotě v místnosti a/nebo venkovní teplotě	ne	ne
Auxiliary electricity consumption				výdej tepla s ventilátorem	ne	ne
Při jmenovitém tepelném výkonu	el_{max}	< 0,001	< 0,001	< 0,001	Typ výdeje tepla/regulace teploty v místnosti (vyberte jeden)	
Při minimálním tepelném výkonu	el_{min}	< 0,001	< 0,001	< 0,001	jeden stupeň tepelného výkonu, bez regulace teploty v místnosti	ne
V pohotovostním režimu	el_{SB}	< 0,001	< 0,001	< 0,001	dva nebo více ručních stupňů, bez regulace teploty v místnosti	ne
				s mechanickým termostatem pro regulaci teploty v místnosti	ne	ne
				s elektronickou regulací teploty v místnosti	ne	ne
				s elektronickou regulací teploty v místnosti a denním programem	ne	ne
				s elektronickou regulací teploty v místnosti a týdenním programem	ano	ane
				Další možnosti regulace (Ize vybrat více možností)		
				regulace teploty v místnosti s detekcí přítomnosti osob	ne	ne
				regulace teploty v místnosti s detekcí otevřeného okna	ne	ne
				s dálkovým ovládním	ne	ne
				s adaptivně řízeným spouštěním	ano	ane
				s omezením doby činnosti	ano	ne
				s černým kulovým čidlem	ne	ne

¹⁾ Součást soupravy kabelů Comfort E

²⁾ 160, 240 W (1; 1,5 qm) nikoliv podle tohoto nařízení

³⁾ s externím týdenním časovačem připojeným k pokojovému termostatu (na straně)

⁴⁾ s externí detekcí otevřených oken (na straně)

Uponor GmbH - Industriestr. 56 - 97437 Hassfurt - www.uponor.com

Soulad EU 2015/1188 pouze s definovaným regulátorem teploty s popisovanou funkcí

Důležitá upozornění týkající se zamýšleného způsobu použití, bezpečnosti a záručních podmínek

Zamýšlený způsob použití

Uponor Comfort E je systém elektrického podlahového vytápění používaný k řízení pokojové teploty a vytápění místností v uzavřených budovách. Montáž probíhá podle technologických zvyklostí a příslušných nařízení; je realizována na vhodný nosný podklad a pod podlahovou krytinu schválenou příslušným výrobcem. Produkt není určen pro žádné jiné použití a pokud k němu dojde, zaniká tím záruka poskytovaná výrobcem.

Prohlášení o záručních podmínkách společnosti Uponor – Topná rohož Comfort E

Jak být bez obav – přijetí prohlášení o záručních podmínkách společnosti Uponor:

Využijte možnosti získat pro váš stavební projekt až desetiletou záruku na použité kabelové topné rohože systému Comfort E s hliníkovou fólií společnosti Uponor. Základem prohlášení o záručních podmínkách společnosti Uponor je potvrzení skutečnosti, že všechny produkty značky Uponor byly instalovány specializovaným odborníkem, podle příslušných pokynů k montáži a v souladu s platnými právními předpisy, nařízeními a zavedenými technologickými zvyklostmi.

S prohlášením o záručních podmínkách společnosti Uponor je to snadné:

1. Jste montážní odborník a provedl jste montáž odpovídajícího vytápěcího systému Uponor, pro který má být vydáno prohlášení o záručních podmínkách společnosti Uponor.
2. Od montáže produktů uběhly maximálně 3 měsíce.
3. Požádejte o registrační formulář k „Prohlášení o záručních podmínkách společnosti Uponor“ a spolu s „Montážním a předávacím protokolem systému Uponor Comfort E“ jej kompletně vyplňte a doplňte svým podpisem a razítkem společnosti. Dokumentaci zašlete společnosti Uponor e-mailem (warranty.comfort-e@uponor.com).
4. Originální prohlášení o záručních podmínkách společnosti Uponor obdržíte do několika pracovních dní.

Jsou-li produkty Uponor v rámci jedné instalace kombinovány či smíšeny s nějakými produkty třetí strany, nemůže být Prohlášení o záručních podmínkách společnosti Uponor vydáno a ztrácí platnost také zpětně.

Důležité bezpečnostní pokyny k montáži

- Topné rohože lze provozovat pouze v kombinaci s termostatem pro regulaci pokojové teploty s připojeným senzorem teploty podlahy.
- Topné rohože lze zapojit pouze prostřednictvím běžné elektrické přípojky do elektrické rozvodné sítě o napětí 230 V. Přívod je třeba osadit proudovým chráničem s diferenciální ochranou při 30 mA.
- Při pokládání topné rohože je nutno dodržet minimální vzdálenost 60 mm od jakýchkoli vodivých součástí konstrukce budovy (např. vodovodní potrubí).
- Topné rohože nelze pokládat pod nábytek a sanitární zařízení, pokud takový mobiliář stojí celou podstavou přímo na podlaze (tj. bez nohou), aby při provozu rohoží nedocházelo k přehřívání.
- Objímky pro připojení vodiče tepla a chladu nesmí být vystaveny tahu.
- Topné kabely nesmí procházet dilatačními spárami, ani skrz izolační vrstvu či materiál nebo za nimi.
- V případě topných kabelů nesmí být překročen minimální poloměr ohybu 30 mm.
- Topné kabely nesmí být během montáže deformovány ani jinak poškozeny. Křížení topných kabelů není přípustné.
- Je-li v místnosti instalováno topných rohoží několik, mohou být k síti zapojeny výhradně paralelně. Nikdy je nezapojujte sériově.
- Při pokládce je třeba v místnosti udržovat teplotu přinejmenším 5 °C.



Pozor! Riziko úrazu elektrickým proudem!

Provoz systému elektrického podlahového vytápění Uponor Comfort E vyžaduje střídavé napětí 230 V. Zapojení do rozvodné sítě smí provádět pouze kvalifikovaný pracovník.

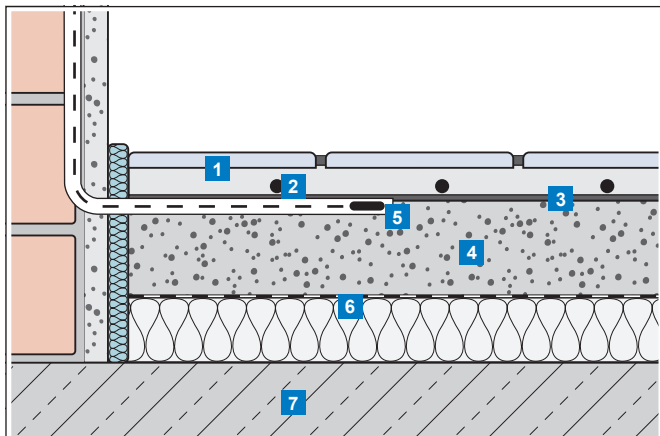
Společnost Uponor si vyhrazuje právo bez předchozího upozornění měnit specifikace použitých součástí v souladu se svou vnitřní politikou neustálého zlepšování a vývoje.

Popis systému

Podlahová konstrukce (příklad)

Technické specifikace

CZ



- 1 Pojivová vrstva dlaždic a dlaždice
- 2 Topné kabelové rohože Uponor Comfort E
- 3 Volitelné: podkladový nátěr, plnivo
- 4 Mazanina
- 5 Senzor teploty podlahy v chrániče
- 6 Izolační vrstva se svrchní fólií izolující proti vlhkosti
- 7 Nosná spodní vrstva (např. beton)

Technické parametry systému kabelových rohoží Uponor Comfort E	
Jmenovité napětí	230 V, střídavý proud
Jmenovitý výkon	160 W/m ²
Jistič ¹⁾ s charakteristikou C	Maximálně 16 A
Minimální poloměr ohybu	30 mm
Minimální montážní vzdálenost	60 mm
Maximální provozní teplota	+90 °C
Minimální montážní teplota	+5 °C
Příčný profil vodivé části připojovacího kabelu	3 × 0,75 mm ²
Délka připojovacího kabelu	4,0 m
Schválení	VDE, CE

¹⁾ Je-li k pojistkové skříni připojeno několik topných rohoží, platí pro všechny dohromady omezení maximálního celkového proudu na hodnotu 16 A.

Důležité!

Termostatem Uponor T-87IF může procházet 10 A. Lze k němu tedy připojit jakoukoli kombinaci rohoží či kabelů, pokud vzniklá celková zátěž nepřekročí tuto hodnotu.

Technické parametry

Typ topné rohože	Plocha pokládky (m ²)	Délka topné rohože (m)	Příkon topné rohože (W)	Odpor topné rohože ¹⁾ (Ω)
Topná rohož UPONOR COMFORT E 160-1	1	2	160	329
Topná rohož UPONOR COMFORT E 160-1,5	1,5	3	240	224
Topná rohož UPONOR COMFORT E 160-2	2	4	320	171
Topná rohož UPONOR COMFORT E 160-2,5	2,5	5	400	132
Topná rohož UPONOR COMFORT E 160-3	3	6	480	107
Topná rohož UPONOR COMFORT E 160-4	4	8	640	85
Topná rohož UPONOR COMFORT E 160-5	5	10	800	69
Topná rohož UPONOR COMFORT E 160-6	6	12	960	55
Topná rohož UPONOR COMFORT E 160-7	7	14	1120	48
Topná rohož UPONOR COMFORT E 160-8	8	16	1280	42
Topná rohož UPONOR COMFORT E 160-10	10	20	1600	33
Topná rohož UPONOR COMFORT E 160-12	12	24	1920	28

¹⁾ Odchylka -5 až +10 %

Montáž a uvedení do provozu

Pokyny k montáži

Obecné informace

Topné kabely nesmí být zkracovány a nesmí se křížit s žádnými vytápěcími či jinými kabely, ani se jich dotýkat. Vedení topných kabelů přes dilatační spáry není přípustné. Připojovací kabel může být přes dilatační spáry veden pouze v chrániče. Topné kabely nesmí být instalovány pod sanitární zařízení stojící přímo na podlaze (vany, toaletní mísy, sprchy apod.). Obdobně není povolena pokládka pod nábytek stojící celou podstavou na podlaze (např. skříně), neboť v takovém případě není zajištěna dostatečná cirkulace vzduchu umožňující dostatečný rozptyl tepla.

Poznámky k plánování

Podklad musí být způsobilý pro pokládku. Zvláště je třeba zkontrolovat vodorovnost horní plochy a její pevnost. V případě potřeby je před montáží systému Comfort E nutno vyrovnat vady podkladu nebo podklad připravit jinak. Před vlastní pokládkou je nutno prostudovat příslušné standardy a pokyny pro konstrukci podlah a provést ji v souladu s nimi. V případě nedbalého a neprofesionálního plánování a provedení montáže zaniká záruční nárok. V průběhu plánování by měla být do konstrukčních výkresů zanesena poloha topných rohoží, senzoru teploty podlahy a termostatu pro regulaci teploty v místnosti. Musí být zohledněno také půdorysné rozvržení stávajícího a budoucího nábytku, jakým jsou skříně stojící na podlaze, sanitární zařízení, skříně apod.



Důležité!

Topné rohože nesmí být zkracovány a musí být proto objednávány s ohledem na celkovou geometrii místnosti.

Příprava podkladové spodní vrstvy

Kabelové rohože systému podlahového vytápění systému Uponor Comfort E lze pokládat na jakýkoli plochý, pevný a tepelně odolný povrch. Tepelná izolace podlahy je nezbytným předpokladem minimalizace tepelných ztrát do podkladu. Nosná spodní vrstva musí být nejprve očištěna. V případě potřeby použijte vhodnou vyrovnávací stěrku či jiné prostředky a zajistěte tak vodorovnost a přilnavost podkladu, což je předpoklad montáže systému. Přímá pokládka na dřevotřísku či dřevěné podlahy není povolena bez použití dalších oddělovacích rohoží. Dodržujte pokyny výrobce podlahové krytiny.

Montáž pokojového termostatu a senzoru teploty podlahy

Osazení termostatu pro regulaci teploty v místnosti vyžaduje na místě zapuštěnou zásuvku zdroje střídavého napětí 230 V. Od jejího umístění musí být v délce stěny až k podlaze vedeny dvě chráničky pro přípojný kabel a kabel senzoru teploty podlahy. Chránička vedoucí k senzoru teploty podlahy musí být instalována také do podlahy a zapuštěna tak, aby její svrchní strana byla na stejné úrovni s umístěním senzoru. Připojovací kabel topné rohože a kabel senzoru teploty podlahy nesmí vést stejnou chráničkou! Pokud má být k jednomu termostatu pro regulaci teploty v místnosti paralelně připojeno několik topných rohoží, musí být za tímto účelem nejprve instalována zapuštěná svorková skříňka. Pro jištění je třeba osadit diferenciální proudový chránič (30 mA). V případě termostatu pro regulaci teploty v místnosti musí být postupováno podle zvláštních pokynů.

Podlahové krytiny

Vhodnost podlahových krytin pro použití v kombinaci se systémy elektrického podlahového vytápění musí být potvrzena příslušným výrobcem. Navíc musí být brán ohled na jakékoli další specifikace určené výrobcem. V blízkosti topných rohoží nesmí být žádné otvory v podlaze (např. otvory pro gumové zarážky dveří). V místech s elektrickým podlahovým vytápěním nelze pokládat silné koberce, ani jiné podobné materiály s vysokým stupněm tepelné izolace, neboť by mohlo dojít k přehřátí nebo k nežádoucí tepelné akumulaci.

Montáž krok za krokem

1. Dodaný materiál porovnejte s objednávkou.
2. U dodaných topných rohoží změřte odolnost izolační vrstvy zkoušečkou izolační vrstvy a odpor rohoží pomocí ohmmetru; zjištěné hodnoty zanepte do příloženého montážního a předávacího protokolu pro systém Uponor Comfort E. Srovnajte naměřené hodnoty s výchozími hodnotami výrobce.
3. Instalujte do zdi chráničky, horní rozvodnou skříň a v případě potřeby také horní svorkovou skříňku. Při instalaci zapuštěné chráničky senzoru a vlastního senzoru teploty podlahy středem pod dva topné kabely může být nutné odsekát či zarovnat spodní podkladovou vrstvu. Vložte senzor teploty podlahy a jeho kabel do chráničky.
4. Topné rohože Comfort E rozviňte v souladu s plánem pokládky. Postupně z přilnavého povrchu odstraňte ochrannou fólii a přitlačte topné rohože na spodní podkladovou vrstvu. V případě změny směru rozstříhnete hliníkovou fólii topných rohoží nůžkami. Topný kabel nesmí být přerušen, ani jinak poškozen. Vedení topných kabelů přes dilatační spáry nebo skrz ně není přípustné.
5. Umístěte topné rohože tak, aby se senzor teploty podlahy nacházel uprostřed mezi dvěma topnými kabely. Protáhněte studený vodič chráničkou do zapuštěné rozvodné skříně nebo do zapuštěné svorkové skříňky a označte konce kabelů příslušné topné rohože.
6. Odstraňte z konců kabelů izolační vrstvu a ještě jednou změřte odolnost izolační vrstvy i odpor topných rohoží. Zanepte naměřené hodnoty do montážního a předávacího protokolu systému Uponor Comfort E.
7. Následně může být podle potřeby použita vhodná vyrovnávací stěrka podle specifikace konkrétního výrobce. Poté je možné provést pokládku podlahové krytiny.
8. Po položení podlahové krytiny musí být provedena poslední kontrola izolace topných rohoží a jejich odporu. Zanepte naměřené hodnoty do montážního a předávacího protokolu systému Uponor Comfort E. Aby bylo možné uplatnit produktovou záruku společnosti Uponor, musí být všechny naměřené hodnoty zdokumentovány v montážním a předávacím protokolu systému Uponor Comfort E. Tento protokol musí být připojen k případné reklamační žádosti.
9. Připojte napájecí kabel topných rohoží a senzor teploty podlahy k termostatu pro regulaci teploty v místnosti a následně ke zdroji napětí 230 V. Postupujte podle dalších montážních a provozních pokynů k termostatu pro regulaci teploty v místnosti.



Pozor! Riziko úrazu elektrickým proudem!

Provoz systému elektrického podlahového vytápění Uponor Comfort E vyžaduje střídavé napětí 230 V. Zapojení do rozvodné sítě smí provádět pouze kvalifikovaný pracovník.

Uvedení do provozu

Otestujte funkčnost zapnutím termostatu pro regulaci teploty v místnosti a proveďte požadovaná nastavení.

Následně je možné předat vytápěcí systém do užívání klientovi, popř. jinému uživateli. Předávané položky zahrnují:

- plán instalace, na kterém je uveden počet jednotlivých topných rohoží a jejich pozice (včetně příslušných topných výkonů), stejně jako poloha svorkových skříňek, senzor teploty podlahy a termostat pro regulaci teploty v místnosti;

- montážní a provozní pokyny; stejně jako
- montážní a předávací protokol systému Uponor Comfort E.

Dokumenty musí být opatrně uskladněny a neustále k dispozici, aby bylo možné rekonstruovat umístění jednotlivých topných rohoží.

Pozor!

V blízkosti topných rohoží nesmí být žádné otvory v podlaze (např. otvory pro gumové zarážky dveří).

Montážní a předávací protokol systému Uponor Comfort E*

Stavební projekt / adresa

Specialista na montáž a zapojení
s napětím 230 V

Do tohoto rámečku nalepte
produktové označení

Do tohoto rámečku nalepte
produktové označení

Porovnejte hodnoty v následující tabulce s výchozími hodnotami továrního nastavení uvedenými v tabulce „Konstrukční parametry“

Odpor a izolace naměřené hodnoty		Před položením topných rohoží		Po položení topných rohoží / Před položením podlahové krytiny		Po položení podlahové krytiny	
Číslo místnosti / určení	Identifikační číslo topné rohože	Odpor topné rohože ¹⁾ (Ω)	Odpor izolace ²⁾ (MΩ)	Odpor topné rohože ¹⁾ (Ω)	Odpor izolace ²⁾ (MΩ)	Odpor topné rohože ¹⁾ (Ω)	Odpor izolace ²⁾ (MΩ)

¹⁾ Odchylka -5 až +10% ²⁾ Minimální odpor izolační vrstvy 10 MΩ

Systém elektrického podlahového vytápění Uponor Comfort E byl v souladu s pokyny výrobce profesionálně nainstalován, připojen k rozvodné síti s napětím 230 V a plně funkční spolu s následujícími dokumenty předán zákazníkovi:

- Montážní a provozní pokyny Fotografie instalace
 Plán / výkres instalace Montážní a předávací protokol systému Uponor Comfort E

Místo, datum

Certifikovaný dodavatel / kvalifikovaný montér elektrických zařízení

Místo, datum

Zákazník / vlastník budovy

* Aby bylo možné uplatnit produktovou záruku společnosti Uponor, musí být všechny naměřené hodnoty zdokumentovány v montážním a předávacím protokolu systému Uponor Comfort E. Tento protokol musí být připojen k případné reklamační žádosti.

Inhalt

Produkt Information bezüglich der Verordnung (EU) 2015/1188	14	Installation und Inbetriebnahme	17
Wichtige Hinweise zur bestimmungsgemäßen Verwendung, Sicherheit und Haftung	15	Installationshinweise	17
Bestimmungsgemäße Verwendung	15	Schritt für Schritt Verlegung	18
Uponor Haftungserklärung	15	Inbetriebnahme	18
Systembeschreibung	16	Uponor Comfort E Montage- und Übergabeprotokoll	19
Bodenkonstruktion	16	Installationsabbildungen	74
Technische Daten	16		
Auslegungsdaten	16		

DE

Produkt Information bezüglich der Verordnung (EU) 2015/1188

Erforderliche Angaben zu elektrischen Einzelraumheizgeräten

Modellkennung(en): **Uponor Comfort E Cable Mat 160 & Uponor Comfort E thermostat dig.prog. Flush Set T-87IF 1088668 - 1088679**

Angabe	Symbol	Wert	Angabe	T-87IF ¹⁾	T-86	T-85
Wärmeleistung			Nur bei elektrischen Speicher-Einzelraumheizgeräten: Art der Regelung der Wärmezufuhr (bitte eine Möglichkeit auswählen)			
Nennwärmeleistung	P _{nom}	0,16 - 1,92 ²⁾ kW	manuelle Regelung der Wärmezufuhr mit integriertem Thermostat	Nein	Nein	Nein
Mindestwärmeleistung (Richtwert)	P _{min}	N.A. kW	manuelle Regelung der Wärmezufuhr mit Rückmeldung der Raum- und/oder Außentemperatur	Nein	Nein	Nein
Maximale kontinuierliche Wärmeleistung	P _{max,c}	0,16 - 1,92 ²⁾ kW	elektronische Regelung der Wärmezufuhr mit Rückmeldung der Raum- und/oder Außentemperatur	Nein	Nein	Nein
Hilfsstromverbrauch			Wärmeabgabe mit Gebläseunterstützung			
				Nein	Nein	Nein
Bei Nennwärmeleistung	e _{l max}	< 0,001 < 0,001 < 0,001 kW	Art der Wärmeleistung/Raumtemperaturkontrolle (bitte eine Möglichkeit auswählen)			
Bei Mindestwärmeleistung	e _{l min}	< 0,001 < 0,001 < 0,001 kW	einstufige Wärmeleistung, keine Raumtemperaturkontrolle	Nein	Nein	Nein
Im Bereitschaftszustand	e _{l SB}	< 0,001 < 0,001 < 0,001 kW	zwei oder mehr manuell einstellbare Stufen, keine Raumtemperaturkontrolle	Nein	Nein	Nein
			Raumtemperaturkontrolle mit mechanischem Thermostat	Nein	Nein	Nein
			mit elektronischer Raumtemperaturkontrolle	Nein	Nein	Nein
			elektronische Raumtemperaturkontrolle und Tageszeitregelung	Nein	Nein	Nein
			elektronische Raumtemperaturkontrolle und Wochentagsregelung	Ja	Ja	Ja ³⁾
			Sonstige Regelungsoptionen (Mehrfachnennungen möglich)			
			Raumtemperaturkontrolle mit Präsenzerkennung	Nein	Nein	Nein
			Raumtemperaturkontrolle mit Erkennung offener Fenster	Nein	Nein	Ja ⁴⁾
			mit Fernbedienungsoption	Nein	Nein	Nein
			mit adaptiver Regelung des Heizbeginns	Ja	Ja	Nein
			mit Betriebszeitbegrenzung	Ja	Nein	Ja
			mit Schwarzkugelsensor	Nein	Nein	Nein

¹⁾ Teil des Comfort E Cable Mat Set

²⁾ 160, 240 W (1; 1,5 qm) nicht Bestandteil dieser Regelung

³⁾ Einbindung externe Wochenzeituhr auf Absenkung der Temperatur (bauseits)

⁴⁾ Einbindung Fensterkontaktschalter (bauseits)

Uponor GmbH - Industriestr. 56 - 97437 Hassfurt - www.uponor.com

Konformität nach EU 2015/1188 Richtlinie besteht nur unter Verwendung angegebener Temperaturregler mit beschriebenen Funktionen.

Wichtige Hinweise zur bestimmungsgemäßen Verwendung, Sicherheit und Haftung

Bestimmungsgemäße Verwendung

Uponor Comfort E ist eine Elektrofußbodenheizung, die zur Temperierung oder Beheizung von Räumen innerhalb geschlossener Gebäude eingesetzt wird. Der Einbau erfolgt gemäß den Regeln der Technik und einschlägigen Richtlinien auf den geeigneten Untergrund unterhalb des vom jeweiligen Hersteller zugelassenen Bodenbelages. Jede andere Verwendung ist nicht bestimmungsgemäß und führt zum Erlöschen der Herstellerhaftung.

Uponor Haftungserklärung für Comfort E Cable Mat

Gehen Sie auf Nummer sicher – so erhalten Sie die Uponor Haftungserklärung:

Nutzen Sie die Möglichkeit, für Ihr Bauvorhaben eine bis zu 10-jährige Gewährleistung auf die verwendeten Uponor Comfort E cable mat Heizmatten zu erhalten. Grundlage für die Ausstellung der Uponor Haftungserklärung ist der Nachweis, dass alle Uponor Produkte gemäß der entsprechenden Montageanleitungen, unter Einhaltung der einschlägigen Gesetze, Verordnungen, den anerkannten Regeln der Technik sowie durch einen Installationsfachbetrieb installiert wurden.

Sichern Sie sich die Uponor Haftungserklärung – der Weg ist ganz einfach:

1. Sie sind ein Installationsfachbetrieb und haben die entsprechende Anlage montiert, für die eine Haftungserklärung ausgestellt werden soll.
2. Der Einbau der Produkte liegt noch nicht länger als 3 Monate zurück.
3. Fordern Sie die „Registrierung für Haftungserklärung“ an und füllen Sie diese ebenso wie das „Uponor Comfort E Montage- und Übergabeprotokoll“ dieser Montageanleitung vollständig aus, einschließlich Firmenstempel und Unterschrift. Senden Sie die Dokumente per E-Mail (warranty.comfort-e@uponor.com) an Uponor.
4. Innerhalb von wenigen Arbeitstagen erhalten Sie die Original Uponor Haftungserklärung.

Werden Uponor Produkte innerhalb einer Anlage mit Fremdprodukten verarbeitet bzw. vermischt, kann keine Haftungserklärung ausgestellt werden bzw. verliert diese im Nachhinein ihre Gültigkeit.

Wichtige Sicherheitshinweise zur Verlegung

- Die Heizmatten dürfen nur in Kombination mit einem Raumtemperaturregler mit angeschlossenem Uponor Bodentemperaturfühler betrieben werden.
- Die Heizmatten dürfen ausschließlich über eine Anschlussdose mit der 230 V Netzspannung verbunden werden. Der Betrieb erfolgt über einen Fehlerstromschutzschalter mit einem Auslösestrom von 30 mA.
- Bei der Verlegung der Heizmatte ist ein Abstand von mindestens 60 mm zu leitfähigen Gebäudeteilen (z. B. Wasserleitungen) einzuhalten.
- Unterhalb von Möbeln und anderen Einrichtungsgegenständen, die direkt und ohne Füße auf dem Fußboden stehen, dürfen keine Heizmatten verlegt werden, um einen Temperaturstau im Betrieb zu vermeiden,
- Die Verbindungsmuffen des Heiz- und Kaltleiters dürfen nicht auf Zug belastet werden.
- Die Heizleitungen dürfen weder über Dehnfugen, noch durch oder hinter Isolierungs- und Dämmmaterial geführt werden.
- Für die Heizleitungen darf ein minimaler Biegeradius von 30 mm nicht unterschritten werden.
- Die Heizleitungen dürfen weder geknickt noch anderweitig bei der Verlegung beschädigt werden. Das Kreuzen der Heizleitungen ist nicht zulässig.
- Bei Verlegung mehrerer Heizmatten in einem Raum dürfen diese nur parallel an die Netzspannung angeschlossen werden. Niemals in Reihe schalten!
- Die Verlegetemperatur muss mindestens 5 °C betragen.



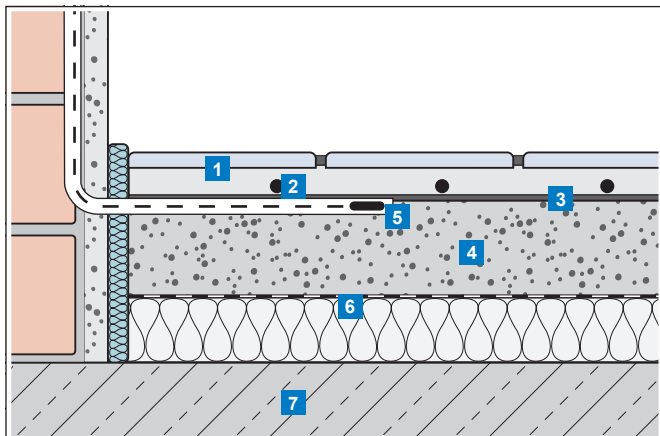
Achtung! Stromschlaggefahr!

Die Uponor Comfort E Elektrofußbodenheizung wird mit einer 230 V AC Spannung betrieben. Anschlüsse an das Stromnetz dürfen nur von qualifiziertem Fachpersonal durchgeführt werden.

Uponor behält sich das Recht vor, zur kontinuierlichen Verbesserung und Entwicklung ohne vorherige Ankündigung Änderungen an der Spezifikation von integrierten Komponenten vorzunehmen.

Systembeschreibung

Bodenkonstruktion (Beispiel)



- 1 Fliesenkleber mit Bodenbelag (Fliesen)
- 2 Uponor Comfort E cable mat Heizmatten
- 3 Optional: Haftgrund, Bodenspachtelmasse
- 4 Estrich
- 5 Bodenfühler im Schutzrohr
- 6 Dämmschicht mit Dämmschichtabdeckung
- 7 Tragender Untergrund (z. B. Beton)

Technische Daten

Technische Daten Uponor Comfort E cable mat	
Nennspannung	230 V, AC
Nennleistung	160 W/m ²
Leitungsschutzschalter ¹⁾ mit C-Charakteristik	Max. 16 A
Isolationswiderstand	4000 MΩ
Min. Biegeradius	30 mm
Min. Verlegeabstand	60 mm
Max. Betriebstemperatur	+90 °C
Min. Montagetemperatur	+5 °C
Leiterquerschnitt der Anschlussleitung	3 x 0,75 mm ²
Länge der Anschlussleitung	4,0 m
Zulassungen	VDE, CE

¹⁾ bei Anschluss mehrerer Heizmatten an einen Sicherungsautomaten ist der Gesamtanschlussstrom der Matten auf max. 16 A begrenzt.

Wichtig!

Der Uponor Thermostat T-87IF schaltet 10 A. Jede Kombination von Matten oder Kabeln kann angeschlossen werden, solange die Gesamtlast diesen Wert nicht überschreitet.

Auslegungsdaten

Heizmattentyp	Verlege- fläche (m ²)	Heizmattenlänge (m)	Heizmatten- leistung (W)	Heizmatten- widerstand ¹⁾ (Ω)
UPONOR COMFORT E CABLE MAT 160-1	1	2	160	329
UPONOR COMFORT E CABLE MAT 160-1,5	1,5	3	240	215
UPONOR COMFORT E CABLE MAT 160-2	2	4	320	167
UPONOR COMFORT E CABLE MAT 160-2,5	2,5	5	400	132
UPONOR COMFORT E CABLE MAT 160-3	3	6	480	110
UPONOR COMFORT E CABLE MAT 160-4	4	8	640	84
UPONOR COMFORT E CABLE MAT 160-5	5	10	800	68
UPONOR COMFORT E CABLE MAT 160-6	6	12	960	55
UPONOR COMFORT E CABLE MAT 160-7	7	14	1120	47
UPONOR COMFORT E CABLE MAT 160-8	8	16	1280	42
UPONOR COMFORT E CABLE MAT 160-10	10	20	1600	33
UPONOR COMFORT E CABLE MAT 160-12	12	24	1920	27

¹⁾ Toleranz -5% bis +10%

Installation und Inbetriebnahme

Installationshinweise

Allgemeine Hinweise

Die Heizkabel dürfen nicht gekürzt werden. Sie dürfen sich oder andere Kabel nicht überkreuzen oder berühren. Die Verlegung der Heizkabel über Bewegungsfugen ist nicht zulässig. Unterhalb von Sanitärobjekten wie Badewannen, Toiletten oder Duschen dürfen keine Heizkabel verlegt werden. Ebenso ist die Verlegung unter bodentiefen Möbeln wie z. B. Schränken nicht zulässig, da hier eine ausreichende Luftzirkulation zur Abführung der Wärme nicht gegeben ist.

Planungshinweise

Der Untergrund muss für die Verlegung geeignet sein. Insbesondere ist die Ebenheit und Festigkeit zu prüfen. Wenn erforderlich, ist der Untergrund auszugleichen oder anderweitig für die Verlegung des Comfort E Systems vorzubereiten. Vor der Verlegung müssen die relevanten Normen und Richtlinien zur Bodenkonstruktion beachtet werden. Bei Nichtbeachtung und nicht fachgerechter Planung und Installation erlischt der Haftungsanspruch. Bei der Planung sollte die Position der Heizmatten, des Bodentemperaturfühlers und des Raumtemperaturreglers in den Plan eingezeichnet werden. Dabei ist die Anordnung von vorhandenen und zukünftigen Einrichtungsgegenständen wie bodenstehenden Sanitärobjekten zu berücksichtigen.



Wichtig!

Die Heizmatten dürfen nicht gekürzt werden und müssen deshalb passend zur Raumgeometrie bestellt werden.

Vorbereitung des Untergrundes

Die Uponor Comfort E cable mat Elektrofußbodenheizung kann auf allen ebenen, festen und wärmebeständigen Untergründen verlegt werden. Eine Wärmedämmung im Fußboden ist zwingend erforderlich, um die Wärmeabgabe nach unten zu minimieren. Der Untergrund ist zunächst zu reinigen. Falls erforderlich, ist durch eine geeignete Ausgleichsmasse oder anderweitige Maßnahmen die notwendige Ebenheit und Haftfähigkeit des Untergrundes zur Aufnahme des Heizsystems herzustellen. Eine direkte Verlegung auf Spanplatten oder Holzböden ist ohne zusätzliche Entkopplungsmatten nicht zulässig. Die Angaben des Belagherstellers sind zu beachten.

Installation des Raumtemperaturreglers und des Bodentempaufühlers

Für den Einbau des Raumtemperaturreglers ist an der ausgewählten Stelle eine handelsübliche UP-Schaltdose mit 230 V AC Netzanschluss vorzusehen. Von dort müssen zwei Leerrohre für den Kaltleiter und den Bodentemperaturfühler in die Wand bis zum Boden eingeschlitzt werden. Das Leerrohr für den Bodentemperaturfühler muss zudem bis zur Position des Fühlers oberflächenbündig in den Untergrund verlegt werden. Kaltleiter und Bodentemperaturfühler dürfen nicht im gleichen Leerrohr verlegt werden! Wenn mehrere Heizmatten parallel an den Raumtemperaturregler angeschlossen werden sollen, ist dafür optional eine UP-Abzweigdose einzubauen. Zur Absicherung ist ein Fehlerstromschutzschalter (30 mA) zu installieren. Die separate Anleitung für den Raumtemperaturregler ist zu beachten.

Bodenbeläge

Die Eignung der verwendeten Bodenbeläge für elektrische Fußbodenheizungen muss vom jeweiligen Bodenbelaghersteller bestätigt werden. Zudem sind alle weiteren Vorgaben des Herstellers zwingend zu beachten. Im Bereich der verlegten Heizmatten dürfen keine Löcher (z. B. zur Befestigung von Türstoppnern) in den Boden eingebracht werden. Wärmedämmende Abdeckungen wie dicke Teppiche oder Schränke mit vollflächiger Aufstellung sind im Bereich der verlegten Elektrofußbodenheizung unzulässig, da sie zu hohen Temperaturen bzw. Wärmestau im Fußboden führen.

Schritt für Schritt Verlegung

1. Vergleichen Sie das gelieferte Material mit Ihrer Bestellung.
2. Messen Sie zur Kontrolle bei den gelieferten Heizmatten den Isolationswiderstand mit dem Isolationsprüfgerät und den Heizmattenwiderstand mit dem Ohmmeter und tragen Sie die Werte in das beiliegende Comfort E Montage- und Übergabeprotokoll ein. Vergleichen Sie die Werte mit den werkseitigen Vorgabewerten.
3. Montieren Sie die Leerrohre, UP-Schalterdose und ggf. UP-Verteilerdose in die Wand. Für eine oberflächenbündige Positionierung des Fühlerleerrohres und des Fühlers mittig unterhalb zweier Heizkabel muss der Untergrund ggf. ebenfalls aufgeschnitten bzw. aufgestemmt werden. Schieben Sie den Bodentemperaturfühler in das Fühlerleerrohr ein.
4. Rollen Sie die Comfort E Heizmatten gemäß Verlegeplan aus. Entfernen Sie dabei schrittweise die Schutzfolie der Klebefläche und drücken Sie die Heizmatten auf den Untergrund. Schneiden Sie für Richtungsänderungen das Trägergewebe der Heizmatten mit einer Schere ein. Dabei darf das Heizkabel weder durchtrennt noch beschädigt werden. Heizleitungen dürfen nicht gekreuzt oder über Bewegungsfugen geführt werden.
5. Legen Sie die Heizmatten so, dass sich der Bodentemperaturfühler mittig unterhalb zweier Heizleitungen befindet. Führen Sie die Kaltleiter durch das Leerrohr in die UP-Schalterdose bzw. in die UP-Abzweigdose ein und kennzeichnen Sie die Kabelenden der einzelnen Heizmatten.
6. Messen Sie nochmals die Isolations- und Heizmattenwiderstände. Tragen Sie die gemessenen Werte in das beiliegende Comfort E Montage- und Übergabeprotokoll ein.
7. Anschließend kann die zum Bodenbelag passende Nivelliermasse gemäß den Anforderungen und Vorgaben der jeweiligen Hersteller eingebracht und der Bodenbelag verlegt werden.
8. Im Anschluss an die Verlegung des Bodenbelages erfolgt die abschließende Kontrollmessung der Isolations- und Heizmattenwiderstände. Tragen Sie die gemessenen Werte in das beiliegende Comfort E Montage- und Übergabeprotokoll ein. Die Uponor Haftungserklärung kann nur ausgestellt werden, wenn die Durchführung aller Kontrollmessungen in dem beiliegenden Comfort E Montage- und Übergabeprotokoll protokolliert wird und dieses bei der Anforderung der Haftungserklärung vorgelegt wird.
9. Schließen Sie die Kaltleiter der Heizmatten sowie den Bodentemperaturfühler an den Raumtemperaturregler an und verbinden Sie diesen mit dem 230 V Stromnetz. Beachten Sie die zusätzliche Montage- und Bedienungsanleitung des Raumtemperaturreglers.



Achtung! Stromschlaggefahr!

Die Uponor Comfort E Elektrofußbodenheizung wird mit einer 230 V AC Spannung betrieben. Anschlüsse an das Stromnetz dürfen nur von qualifiziertem Fachpersonal durchgeführt werden.

Inbetriebnahme

Führen Sie eine Funktionsprüfung durch, indem Sie den elektrischen Raumtemperaturregler einschalten und die gewünschten Einstellungen vornehmen.

Anschließend kann das Heizsystem an den Bauherrn bzw. dem Nutzer übergeben werden. Die Übergabe beinhaltet:

- den Verlegeplan, in dem die Anzahl und Lage der einzelnen Heizmatten (inklusive der jeweiligen Heizleistungen) sowie die Lage der Anschlussdosen, des Bodentemperaturfühlers und des Raumtemperaturreglers vermerkt sind,

- die Montage- und Bedienungsanleitungen sowie
- das Comfort E Montage- und Übergabeprotokoll.

Die Dokumente müssen sorgfältig aufbewahrt werden und jederzeit verfügbar sein, um ggf. später die Lage der einzelnen Heizmatten rekonstruieren zu können.

Achtung!

Im Bereich der verlegten Heizmatten dürfen keine Löcher (z. B. zur Befestigung von Türstoppeln) in den Boden eingebracht werden

Uponor Comfort E Montage- und Übergabeprotokoll*

Bauvorhaben / Adresse

Fachbetrieb für die Montage und den Netzanschluss

Hier Produktetiketten aufkleben

Hier Produktetiketten aufkleben

DE

Vergleichen Sie die nachfolgend in die Tabelle eingetragenen Werte mit den werkseitigen Vorgabewerten gemäß Tabelle "Auslegungsdaten".

Widerstands- und Isolationsmessungen		Vor der Heizmattenverlegung		Nach der Heizmattenverlegung / vor der Verlegung des Bodenbelages		Nach der Verlegung des Bodenbelages	
Raum-Nr. / Bezeichnung	Artikel-Nr. der Heizmatte	Heizmattenwiderstand ¹⁾ (Ω)	Isolationswiderstand ²⁾ (MΩ)	Heizmattenwiderstand ¹⁾ (Ω)	Isolationswiderstand ²⁾ (MΩ)	Heizmattenwiderstand ¹⁾ (Ω)	Isolationswiderstand ²⁾ (MΩ)

¹⁾ Toleranz -5% bis +10% ²⁾ minimaler Isolationswiderstand 4000 MΩ

Die Uponor Comfort E Elektrofußbodenheizung wurde gemäß Herstelleranleitungen fachgerecht installiert, an das 230 V Stromnetz angeschlossen und mit folgender Dokumentation funktionsfähig übergeben:

- Installations- und Bedienungsanleitungen
- Installationsfotos
- Installationszeichnungen/Verlegeplan
- Comfort E Montage- und Übergabeprotokoll

Ort, Datum

Unterschrift Auftragnehmer / Fachmann Netzanschluss

Ort, Datum

Unterschrift Auftraggeber / Bauherr

* Die Uponor Haftungserklärung kann nur ausgestellt werden, wenn die Durchführung aller Kontrollmessungen in dem Comfort E Montage- und Übergabeprotokoll protokolliert wird und dies bei der Anforderung der Haftungserklärung vorgelegt wird.

Indhold

DK

Produktinformation vedrørende EU regulativ 2015/1188.....	20	Installation og idrifttagelse	23
Vigtig information om anvendelse, sikkerhed og garanti	21	Installationsvejledning	23
Anvendelse	21	Installation trin for trin	24
Uponors garanti	21	Idrifttagelse	24
		Installationsskema (tjekskema) for Uponor Comfort E	25
Systembeskrivelse	22	Installationsbilleder.....	74
Gulvkonstruktion	22		
Tekniske specifikationer	22		
Konstruktionsdata	22		

Produktinformation vedrørende EU regulativ 2015/1188

Informationskrav for elektriske produkter til lokal rumopvarmning

Modelidentifikation(er): **Uponor Comfort E Cable Mat 160 & Uponor Comfort E thermostat dig.prog. Flush Set T-87IF 1088668 - 1088679**

Element	Symbol	Værdi			Element	T-87IF ¹⁾	T-86	T-85	
Varmeydelse					Type varmetilførsel, kun for elektriske akkumulerende produkter til lokal rumopvarmning (vælg en type)				
Nominel varmeydelse	P _{nom}	0,16 - 1,92 ²⁾			kW	Manuel varmelagringsstyring med integreret thermostat	Nej	Nej	Nej
Mindste varmeydelse (vejledende)	P _{min}	N.A.			kW	Manuel varmelagringsstyring med indendørs og/eller udendørs temperaturmåling	Nej	Nej	Nej
Maksimal kontinuerlig varmeydelse	P _{max,c}	0,16 - 1,92 ²⁾			kW	Elektronisk varmelagringsstyring med indendørs og/eller udendørs temperaturmåling	Nej	Nej	Nej
Supplerende strømforbrug		T-87IF	T-86	T-85		Varmeblæser	Nej	Nej	Nej
Ved nominel varmeydelse	el _{max}	< 0,001	< 0,001	< 0,001	kW	Type varmeydelse/rumtemperaturstyring (vælg en type)			
Ved mindste varmeydelse	el _{min}	< 0,001	< 0,001	< 0,001	kW	Ét-trinsvarmeydelse uden rumtemperaturstyring	Nej	Nej	Nej
I standbytilstand	el _{SB}	< 0,001	< 0,001	< 0,001	kW	To eller flere manuelle trin uden rumtemperaturstyring	Nej	Nej	Nej
						Med mekanisk rumtemperaturstyring	Nej	Nej	Nej
						Med elektronisk rumtemperaturstyring	Nej	Nej	Nej
						Elektronisk rumtemperaturstyring og døgtimer	Nej	Nej	Nej
						Elektronisk rumtemperaturstyring og ugetimer	Ja	Ja	Ja ³⁾
						Andre styringsmuligheder (flere muligheder kan vælges)			
						Rumtemperaturstyring med bevægelsessensor	Nej	Nej	Nej
						Rumtemperaturstyring med temperaturfaldsensor	Nej	Nej	Ja ⁴⁾
						Med telestyringsoption	Nej	Nej	Nej
						Med adaptiv startstyring	Ja	Ja	Nej
						Med drifttidsbegrænsning	Ja	Nej	Ja
						Med sort globe-sensor	Nej	Nej	Nej

¹⁾ Del af Comfort E gulvvarme

²⁾ 160, 240 W (1; 1,5 qm) ikke underlagt dette regulativ

³⁾ med ekstern uge-timer, som kobles med rumtermostaten (købes separat)

⁴⁾ med ekstern "åben vindue føler" (købes separat)

Uponor GmbH - Industriestr. 56 - 97437 Hassfurt - www.uponor.com

Overensstemmelse iht. EU 2015/1188 er kun defineret ved en temperaturregulator med den beskrevne funktionalitet.

Vigtig information om anvendelse, sikkerhed og garanti

Anvendelse

Uponor Comfort E er et el-gulvvarmesystem, der anvendes til opvarmning af rum i lukkede bygninger. Installationen foretages i overensstemmelse med gældende tekniske regler og relevante direktiver på et egnet underlag under gulvbelægningen, der er godkendt af producenten. Enhver anden brug er ikke tilsigtet og medfører bortfald af producentgarantien.

Uponors garanti på Comfort E-varmemåtte

Sådan får du Uponors garanti:

Få mulighed for at få en garanti på op til 10 år på de anvendte Uponor Comfort E-varmemåtter i projektet. For at Uponors garanti er gældende, skal det bekræftes, at alle Uponor-produkter er installeret af en autoriseret installatør i overensstemmelse med de pågældende installationsanvisninger under overholdelse af gældende love, regulativer og tekniske regler.

Uponors garanti:

1. Du er autoriseret installatør og har installeret det system, som Uponors garanti skal udstedes til.
2. Produkterne er installeret for højest tre måneder siden.
3. Anmod om formularen vedrørende Uponors garanti og udfyld hele formularen samt installations-skemaet (tjekskemaet) for Uponor Comfort E, herunder firmamærke og underskrift. Send dokumenterne via e-mail (warranty.comfort-e@uponor.com) til Uponor.
4. Uponors garanti fremsendes inden for få hverdage.

Såfremt Uponors produkter monteres eller sammensættes med produkter fra tredjeparter i en installation, kan der ikke udstedes en Uponor-garanti, og garantien mister gyldigheden med tilbagevirkende kraft.

Vigtige sikkerhedsanvisninger for installation

- Varmemåtterne må kun anvendes sammen med en rumtermostat tilsluttet en gulvtemperaturkontrolenhed.
- Varmemåtterne må kun tilsluttes til 230 V netspænding via en koblingsdåse. Der skal installeres en fejlstrømsafbryder med udløsningspunkt på 30 mA.
- Ved lægning af varmemåtten skal der være en afstand på mindst 60 mm til ledende bygningsdele (f.eks. vandrør).
- For at undgå overophedning under anvendelsen må varmemåtterne ikke lægges under møbler og sanitet, som er placeret direkte på gulvet uden ben.
- Varme- og koldlederens tilslutningsmuffer skal være uden spænding.
- Varmekablerne må ikke føres igennem ekspansionsfuger eller igennem eller bag isolering og isoleringsmateriale.
- Min. bøjradius for varmekabler på 30 mm må ikke overskrides.
- Varmekablerne må ikke knækkes eller på anden måde beskadiges under installationen. Det er ikke tilladt at krydse varmekablerne.
- Hvis der installeres flere varmemåtter i et rum, må de kun parallelforbindes med netspændingen. De må aldrig serieforbindes.
- Temperaturen ved udlægning skal være mindst 5 °C.



Bemærk! Risiko for elektrisk stød!

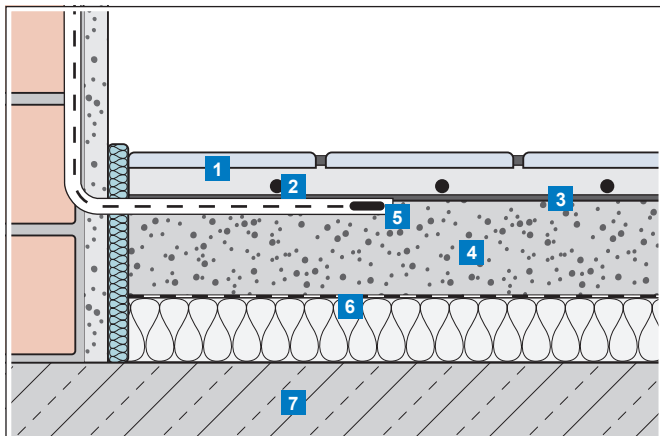
Uponor Comfort E-el-gulvvarme anvendes med 230 V vekselspænding. Tilslutningerne til el-nettet må kun udføres af en autoriseret elinstallatør.

Uponor forbeholder sig retten til uden forudgående varsel at foretage ændringer af specifikationerne for de komponenter, der indgår, i overensstemmelse med sin politik om løbende forbedring og udvikling af produkterne.

Systembeskrivelse

DK

Gulvkonstruktion (eksempel)



- 1 Klæbemidler til kakler
- 2 Uponor Comfort E-varmemåtter
- 3 Ekstra: Primer, fyldstof
- 4 Leder
- 5 Gulvføler i beskyttelsesrør
- 6 Isolationslag med isolationslagsbelægning
- 7 Bærende underlag (f.eks. beton)

Tekniske specifikationer

Tekniske specifikationer for Uponor Comfort E-varmemåtte	
Nominal spænding	230 V vekselstrøm
Mærkekapacitet	160 W/m ²
Afbryder ¹⁾ med C-karakteristik	Maks. 16 A
Min. bøjradius	30 mm
Min. installationsafstand	60 mm
Maks. driftstemperatur	+90 °C
Min. installationstemperatur	+5 °C
Ledertværsnit af tilslutningskablet	3 x 0,75 mm ²
Længde på tilslutningskabel	4,0 m
Godkendelser	VDE, CE

¹⁾ Hvis flere varmemåtter er tilsluttet en sikringsboks, er måtternes samlede tilslutningsstrøm begrænset til maks. 16 A.

Vigtigt!

Uponor-termostat T-87IF med belastning 10 A. Alle kombinationer af måtter eller kabler kan tilsluttes, så længe den samlede belastning ikke overstiger denne værdi.

Konstruktionsdata

Varmemåttetype	Udlægnings- område (m ²)	Varmemåtte- længde (m)	Varmemåtte- kapacitet (W)	Varmemåtte- modstand ¹⁾ (Ω)
UPONOR COMFORT E-VARMEMÅTTE 160-1	1	2	160	329
UPONOR COMFORT E-VARMEMÅTTE 160-1,5	1,5	3	240	224
UPONOR COMFORT E-VARMEMÅTTE 160-2	2	4	320	171
UPONOR COMFORT E-VARMEMÅTTE 160-2,5	2,5	5	400	132
UPONOR COMFORT E-VARMEMÅTTE 160-3	3	6	480	107
UPONOR COMFORT E-VARMEMÅTTE 160-4	4	8	640	85
UPONOR COMFORT E-VARMEMÅTTE 160-5	5	10	800	69
UPONOR COMFORT E-VARMEMÅTTE 160-6	6	12	960	55
UPONOR COMFORT E-VARMEMÅTTE 160-7	7	14	1120	48
UPONOR COMFORT E-VARMEMÅTTE 160-8	8	16	1280	42
UPONOR COMFORT E-VARMEMÅTTE 160-10	10	20	1600	33
UPONOR COMFORT E-VARMEMÅTTE 160-12	12	24	1920	28

¹⁾ Tolerance -5 % til +10 %

Installation og idrifttagelse

DK

Installationsvejledning

Generel information

Varmekablerne må ikke afkortes og ikke krydse eller berøre andre kabler eller varmekabler. Varmekablerne må ikke føres hen over dilationsfuger. Tilslutningskablet kan placeres i et beskyttende rør ved krydsning af dilationsfuger. Der må ikke installeres varmekabler/måtter under sanitet, der er placeret på gulvet, f.eks. badekar, toiletter eller brusere. Der må ligeledes ikke installeres varmekabler under møbler uden ben, f.eks. garderober, da der her ikke er tilstrækkelig luftcirkulation til spredning af varmen.

Noter

Underlaget skal være egnet til udlægningen. Det er især vigtigt at kontrollere, at underlaget er jævnt og har den fornødne styrke. Om nødvendigt skal underlaget ændres eller på anden måde klargøres til installation af Comfort E-systemet. De involverede parter skal have kendskab til de relevante standarder og retningslinjer for gulvkonstruktionen og overholde disse. I tilfælde af manglende overholdelse og fagligt ukorrekt projektering og installation bortfalder krav i henhold til garantien. Ved projekteringen skal placeringen af varmemåtterne, gulvtemperaturføleren og rumtemperaturkontrolenheden indføres i konstruktionstegningen. Der skal tages højde for placeringen af eksisterende og kommende møblering, f.eks. sanitet og garderober osv., der står på gulvet.



Vigtigt!

Varmemåtterne må ikke afkortes og skal derfor bestilles i overensstemmelse med arealet i rummet.

Klargøring af underlaget

Uponor Comfort E-gulvvarmesystemet med el-måtter kan lægges på alle jævne, massive og varmebestandige flader. Det er obligatorisk at sørge for termisk isolering i gulvet med henblik på minimering af nedadgående varmetab. Underlaget skal først rengøres. Anvend om nødvendigt et egnet nivelleringsmiddel eller andre foranstaltninger for at sikre, at underlaget er jævnt, og at varmesystemet kan vedhæftes. Det frarådes at lægge varmesystemet direkte på spånplader eller trægulv uden isolerende mellemlag. Producentens anvisninger skal følges.

Installation af rumtermostat og gulvtemperaturføler

Til installation af rumtermostaten skal der forefindes en almindelig planforsænket stikkontakt til 230 V AC på den pågældende placering. Herfra skal der placeres to beskyttelsesrør til tilslutningskablet og gulvtemperaturfølerkablet i væggen til jorden. Det beskyttende rør til gulvtemperaturføleren skal ligeledes monteres forsænket med oversiden mod følerplaceringen. Varmemåttens tilslutningskabel og gulvtemperaturfølerkablet må ikke installeres i det samme beskyttelsesrør! Hvis flere varmemåtter skal parallelforbindes med rumtemperaturkontrolenheden, skal der installeres en planforsænket tilslutningsdåse. Der skal installeres en fejlstrømsafbryder med udløsningspunkt på 30 mA. De særskilte anvisninger for rumtemperaturkontrolenheden skal følges.

Gulvbelægninger

Der skal foreligge et tilsagn fra gulvproducenten om, at gulvbelægningen er egnet til el-gulvvarme. Derudover skal alle øvrige specifikationer fra producenten følges. I området omkring de installerede varmemåtter må der ikke bores huller i gulvet (f.eks. til montering af dørstoppere). Det er ikke tilladt at udlægge varmeisolerende tildækninger, f.eks. tykke tæpper, i området omkring el-gulvvarmesystemet, da disse kan føre til overophedning eller opbygning af varme.

Installation trin for trin

1. Sammenlign det leverede materiale med din bestilling.
2. Mål isoleringsmodstanden med isoleringstesteren og varmemåtemodstanden med ohmmeteret for at kontrollere de leverede varmemåtter, og indtast værdierne i det medfølgende Uponor Comfort E-installationsskema (tjekskema). Sammenlign værdierne med fabrikkens standardværdier.
3. Installer beskyttelsesrørene, UP-koblingsboksen og om nødvendigt UP-tilslutningsboksen i væggen. Det kan være nødvendigt at tilskære eller klæbe underlaget for at gulvtemperaturfølerens beskyttelsesrør kan monteres planforsænket og gulvtemperaturføleren i midten under to varmekabler. Indsæt gulvtemperaturføleren og kablet i følerbeskyttelsesrøret.
4. Rul Comfort E-varmemåtterne ud i henhold til lægningsplanen. Fjern den beskyttende film trinvist fra klæbefladen, og tryk varmemåtterne ned på underlaget. Til retningsskift klippes varmemåtternes bagsidemateriale over med en saks. Varmekablet må ikke skilles ad eller beskadiges. Varmekablerne må ikke krydses eller føres hen over dilationsfuger.
5. Placer varmemåtterne således, at temperaturføleren befinder sig i midten under to varmekabler. Indsæt koldlederen igennem det beskyttende rør i den planforsænkede afbryderboks eller den planforsænkede tilslutningsdåse, og mærk kabelenderne på den pågældende varmemåtte.
6. Fjern isoleringen fra kabelenderne, og mål igen isoleringsmodstanden og varmemåttens modstand. Indfør de målte værdier i det medfølgende Uponor Comfort E-installationsskema.
7. Efterfølgende kan nivelleringsmaterialet til gulvbelægningen påfyldes i overensstemmelse med den pågældende producents krav og specifikationer. Derefter kan gulvbelægningen lægges.
8. Efter lægning af gulvbelægningen udføres den endelige kontrol af varmemåtteisoleringen og varmemåtemodstanden. Indfør de målte værdier i det medfølgende Uponor Comfort E-installationsskema. For at kunne få Uponors garanti skal alle målinger dokumenteres i Uponor Comfort E-installationsskemaet. Dette skema skal vedhæftes garantianmodningen.
9. Tilslut varmemåtternes forsyningskabel og gulvtemperaturføleren til rumtemperaturkontrolenheden, og slut det til 230 V strømforsyning. Ekstra installations- og betjeningsanvisninger for rumtemperaturkontrolenheden skal følges.



Bemærk! Risiko for elektrisk stød!

Uponor Comfort E-el-gulvvarme anvendes med 230 V vekselspænding. Tilslutningerne til el-nettet må kun udføres af en autoriseret elinstallatør.

Idrifttagelse

Udfør en funktionstest ved at tænde den elektriske rumtemperaturkontrolenhed og foretage de ønskede indstillinger.

Efterfølgende kan varmesystemet overdrages til kunden eller brugeren. Overdragelsen omfatter:

- Installationsplanen med de enkelte varmemåtters nummer og placering (inkl. den pågældende varmekapacitet) samt placeringen af tilslutningsdåserne, gulvtemperaturføleren og rumtemperaturkontrolenheden.

- Monterings- og betjeningsanvisninger.
- Installationsskema for Uponor Comfort E.

Dokumenterne skal opbevares omhyggeligt og altid være tilgængelige med henblik på rekonstruktion af placeringen af de enkelte varmemåtter.

Bemærk!

I området omkring de installerede varmemåtter må der ikke bores huller i gulvet (f.eks. til montering af dørstopper).

Installations-skema for Uponor Comfort E*

Byggeprojekt/adresse

 Fagmand til installation
og 230 V-tilslutning

Sæt produktmærkater på her

Sæt produktmærkater på her

Sammenlign de indlæste værdier i tabellen nedenfor med fabrikkens standardværdier i henhold til tabellen "Konstruktionsdata"

Modstands- og isolationsmålinger		Før lægning af varmemåtterne		Efter lægning af varmemåtterne/før lægning af belægningen		Efter lægning af belægningen	
Rumnr./-betegnelse	Varmemåttens varenummer	Varmemåtte-modstand ¹⁾ (Ω)	Isolations-modstand ²⁾ (MΩ)	Varmemåtte-modstand ¹⁾ (Ω)	Isolations-modstand ²⁾ (MΩ)	Varmemåtte-modstand ¹⁾ (Ω)	Isolations-modstand ²⁾ (MΩ)

¹⁾ Tolerance -5 % til +10 % ²⁾ Min. isolationsmodstand 10 MΩ

El-gulvvarmesystemet Uponor Comfort E er installeret fagligt korrekt i overensstemmelse med producentens anvisninger, tilsluttet 230 V el-nettet og overdraget fuldt funktionsdygtigt med følgende dokumenter:

 Installations- og betjeningsanvisninger

 Installationsfotos

 Installationsplan/-tegning

 Comfort E installationsskema

Placering, dato

Underskrift entreprenør/autoriseret elinstallatør

Placering, dato

Underskrift kunde/bygningsejer

* For at kunne få Uponors garanti skal alle målinger dokumenteres i Uponor Comfort E-installationsskema. Denne protokol skal vedhæftes garantianmodningen.

Sisällys

Komission asetuksen (EU) 2015/1188 mukaiset tuotetiedot	26	Asennus ja käyttöönotto	29
Tärkeää tietoa käyttötarkoituksesta, turvallisuudesta ja takuusta	27	Asennusohjeet	29
Käyttötarkoitus	27	Asennus vaihe vaiheelta	30
Uponorin takuu	27	Käyttöönotto	30
Järjestelmän kuvaus	28	Uponorin Comfort E -asennus- ja luovutusasiakirja	31
Lattian rakenne	28	Asennuskuvat	74
Tekniset tiedot	28		
Suunnittelutiedot	28		

FI

Komission asetuksen (EU) 2015/1188 mukaiset tuotetiedot

Sähkökäyttöisten paikallisten tilalämmittimien tietovaatimukset:

Mallitunniste(et): **Uponor Comfort E Cable Mat 160 & Uponor Comfort E thermostat dig.prog. Flush Set T-87IF 1088668 - 1088679**

Kohta	Symboli	Arvo		Kohta	T-87IF ¹⁾	T-86	T-85
Lämpöteho				Lämmönsyötön tyyppi, aieistaan sähkökäyttöiset varaavat paikalliset tilalämmittimet (valitaan yksi)			
Nimellislämpöteho	P _{nom}	0,16 - 1,92 ²⁾	kW	manuaalinen lämmönvarauksen säätö, johon liittyy integroitu termostaatti	ei	ei	ei
Vähimmäislämpöteho (ohjeellinen)	P _{min}	N.A.	kW	manuaalinen lämmönvarauksen säätö, johon liittyy huone- ja/tai ulkolämpötilan kompensointi	ei	ei	ei
Suurin jatkuva lämpöteho	P _{max,c}	0,16 - 1,92 ²⁾	kW	sähköinen lämmönvarauksen säätö, johon liittyy huone- ja/tai ulkolämpötilan kompensointi	ei	ei	ei
Lisäsähkökulutus				puhallinlämmitys	ei	ei	ei
Nimellislämpöteholla	el _{max}	< 0,001	< 0,001	< 0,001	kW	Lämmityksen/huonelämpötilan säädön tyyppi (valitaan yksi)	
Vähimmäislämpöteholla	el _{min}	< 0,001	< 0,001	< 0,001	kW	yksiportainen lämmitys ilman huonelämpötilan säätöä	ei ei ei
Valmiustilassa	el _{SB}	< 0,001	< 0,001	< 0,001	kW	kaksi tai useampi manuaalista porrasta ilman huonelämpötilan säätöä	ei ei ei
				mekaanisella termostaattilla toteutetulla huonelämpötilan säädöllä	ei	ei	ei
				sähköisellä huonelämpötilan säädöllä	ei	ei	ei
				sähköinen huonelämpötilan säätö ja vuorokausiajastin	ei	ei	ei
				sähköinen huonelämpötilan säätö ja viikkoajastin	kyllä	kyllä	kyllä ³⁾
				Muut säätömahdollisuudet (voidaan valita useita)			
				huonelämpötilan säätö läsnäolotunnistimen kanssa	ei	ei	ei
				huonelämpötilan säätö avoimen ikkunan tunnistimen kanssa	ei	ei	kyllä ⁴⁾
				etäohjausmahdollisuuden kanssa	ei	ei	ei
				mukautuvan käynnistyksen ohjauksen kanssa	kyllä	kyllä	ei
				käyntiajan rajoituksen kanssa	kyllä	ei	kyllä
				lämpösäteilyanturin kanssa	ei	ei	ei

¹⁾ Osa Comfort E Sähköistä Lattialämmityspakettia

²⁾ 160, 240 W (1; 1,5 qm) ei tämän asetuksen nojalla

³⁾ huonetermostaattilla, jossa on ajastintoiminto. (lisävaruste)

⁴⁾ erillistä tunnistinta käytettäessä (lisävaruste)

Uponor GmbH - Industriestr. 56 - 97437 Hassfurt - www.uponor.com

EU 2015/1188 -standardinmukaisuus vain määritellyllä lämpötilansäätimellä, jossa on kuvatut toiminnot.

Tärkeää tietoa käyttötarkoituksesta, turvallisuudesta ja takuusta

Käyttötarkoitus

Uponorin sähköinen Comfort E -lattialämmitys on tarkoitettu suljettujen tilojen lämmittämiseen. Järjestelmä asennetaan tekniikan käytäntöjä ja sitä koskevia määräyksiä noudattaen sopivaan alusrakenteeseen lattiapäällysteen alle lattiavalmistajan hyväksynnällä. Mikään muu käyttö ei ole sallittua ja johtaa valmistajan takuun raukeamiseen.

Uponorin takuu Comfort E -lattialämmitysmatolle

Varmista turvallisuus – Uponorin takuun saaminen:

Hyödynnä mahdollisuus saada rakennusprojektillesi jopa 10 vuoden takuu käyttämällä Uponorin Comfort E -lattialämmitysmattoja.

Uponorin takuu voidaan saada vahvistamalla, että kaikki Uponor-tuotteet on asentanut asennusammattilainen asianmukaisia asennusohjeita sekä voimassa olevia lakeja, määräyksiä ja tekniikan käytäntöjä noudattaen.

Helppo tapa hankkia Uponorin takuu:

1. Olet asennusammattilainen ja olet asentanut asianmukaisen Uponor-järjestelmän, jolle haetaan Uponorin takuuta.
2. Tuotteet on asennettu viimeisen kolmen kuukauden aikana.
3. Pyydä rekisteröintilomake ”Uponor Declaration of Warranty” ja täytä se huolella. Liitä mukaan myös asennusohjeiden ”Uponor Comfort E -asennus- ja luovutusasiakirja” yhtiön leimalla ja allekirjoituksella varustettuna. Lähetä asiakirjat sähköpostitse (warranty.comfort-e@uponor.com) Uponorille.
4. Alkuperäinen Uponorin takuu toimitetaan muutaman arkipäivän sisällä.

Jos Uponorin tuotteita asennetaan tai käytetään yhdessä muiden valmistajien tuotteiden kanssa samassa asennuskokoonpanossa, Uponorin takuuta ei voida myöntää tai se raukeaa takautuvasti.

Tärkeitä asennusta koskevia turvallisuusohjeita

- Lattialämmitysmattoa voidaan käyttää vain yhdessä lattialämpötila-anturilla varustetun huonetermostaatin kanssa.
- Lämmönlämmitysmatto voidaan liittää vain 230 V sähköverkkoon pistokkeella. Vikavirtasuojakytkin, jonka laukaisuvirta on 30 mA, pitää asentaa.
- Lattialämmitysmatto on asennettava vähintään 60 mm:n etäisyydelle johtavista osista (kuten vesiputkista).
- Ylikuumentamisen ehkäisemiseksi lattialämmitysmattoa ei saa asentaa sellaisten kalusteiden alle, jotka ovat suoraan kosketuksissa lattiaan ilman jalkoja.
- Liitäntäholkkeihin ei saa kohdistua jännitettä.
- Lämmityskaapeleita ei saa asentaa laajennusliitoksilla eikä eristyksen tai eristysmateriaalin taakse.
- Lämmityskaapeleiden minimitaivutussäde on 30 mm, jota ei saa alittaa.
- Asennettavat lämmityskaapelit eivät saa mutkalla tai muuten vaurioituneita. Lämmityskaapeleiden ristiinasennus on kielletty.
- Jos huoneeseen asennetaan useita lattialämmitysmattoja, ne kytketään rinnakkain sähköverkkoon. Sarjaan kytkeminen on kielletty!
- Lämpötilan on oltava vähintään 5 °C.



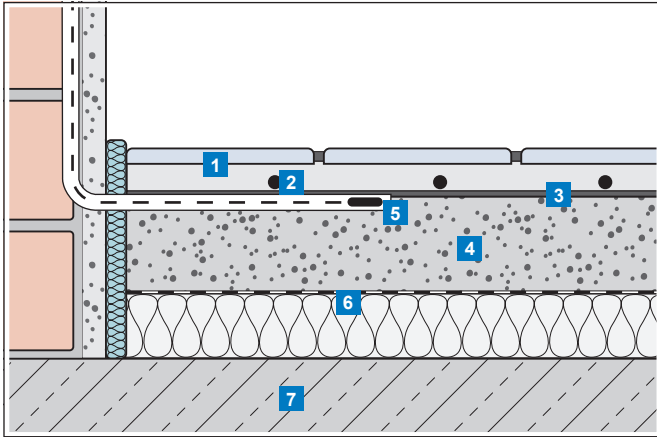
Huomio! Sähköiskuvaara!

Uponorin sähköinen Comfort E -lattialämmitys toimii 230 voltin vaihtovirralla. Sähköliitännät on teetettävä aina valtuutetulla sähköasentajalla.

Uponor pidättää oikeuden muuttaa ilman ennakoilmoitusta komponenttien tietoja toiminnan parantamiseksi ja kehittämiseksi.

Järjestelmän kuvaus

Lattian rakenne (esimerkki)



- 1 Kiinnityslaasti
- 2 Uponorin Comfort E -lattialämmitysmatot
- 3 Mahdollinen primeri
- 4 Lattiamassa
- 5 Lattialämpötila-anturi suojaputkessa
- 6 Eritekerros
- 7 Kantava alusrakenne (esim. betoni)

Tekniset tiedot

Uponorin Comfort E -lattialämmitysmaton tekniset tiedot	
Nimellisjännite	230 V, AC
Nimelliskapasiteetti	160 W/m ²
Suojalaukaisin ¹⁾ C-ominaisuuksilla	Maks. 16 A
Min. taivutussäde	30 mm
Min. asennusetäisyys	60 mm
Maks. käyttölämpötila	+90 °C
Min. asennuslämpötila	+5 °C
Yhdyskaapelin johtimen poikkipinta-ala	3 x 0,75 mm ²
Yhdyskaapelin pituus	4,0 m
Hyväksynyt	VDE, CE

¹⁾ Jos sulakekoteloon liitetään useita lattialämmitysmattoja, kokonaisvirta voi olla yhteensä enintään 16 A.

Tärkeää!

Uponorin termostaatti T-871F kytkee 10 A. Kaikenlaiset levy- tai kaapelikokoonpanot voidaan liittää, kunhan kokonaiskuormitus ei ylitä tätä arvoa.

Suunnittelutiedot

Lattialämmitysmaton tyyppi	Asennusalue (m ²)	Lattialämmitysmaton pituus (m)	Lattialämmitysmaton teho (W)	Lattialämmitysmaton resistanssi ¹⁾ (Ω)
UPONOR COMFORT E LATTIALÄMMITYSMATTO 160-1	1	2	160	329
UPONOR COMFORT E LATTIALÄMMITYSMATTO 160-1,5	1,5	3	240	224
UPONOR COMFORT E LATTIALÄMMITYSMATTO 160-2	2	4	320	171
UPONOR COMFORT E LATTIALÄMMITYSMATTO 160-2,5	2,5	5	400	132
UPONOR COMFORT E LATTIALÄMMITYSMATTO 160-3	3	6	480	107
UPONOR COMFORT E LATTIALÄMMITYSMATTO 160-4	4	8	640	85
UPONOR COMFORT E LATTIALÄMMITYSMATTO 160-5	5	10	800	69
UPONOR COMFORT E LATTIALÄMMITYSMATTO 160-6	6	12	960	55
UPONOR COMFORT E LATTIALÄMMITYSMATTO 160-7	7	14	1120	48
UPONOR COMFORT E LATTIALÄMMITYSMATTO 160-8	8	16	1280	42
UPONOR COMFORT E LATTIALÄMMITYSMATTO 160-10	10	20	1600	33
UPONOR COMFORT E LATTIALÄMMITYSMATTO 160-12	12	24	1920	28

¹⁾ Toleranssi -5 % - +10 %

Asennus ja käyttöönotto

Asennusohjeet

Yleistä tietoa

Lämmityskaapeleita ei saa lyhentää tai asentaa ristiin, eivätkä ne saa joutua kosketuksiin muiden lämmityskaapeleiden tai muiden kaapeleiden kanssa. Lämmityskaapeleita ei saa asentaa kulkemaan liikuntasauvojen yli. Yhdyskaapeli voidaan asentaa suojaputkeen liikuntasauvojen kohdalla. Lämmityskaapeleita ei saa asentaa kalusteiden, kuten kylpyammeiden tai wc-istuinten, alle, jos kalusteet ovat suoraan kosketuksissa lattiaan. Niitä ei myöskään saa asentaa jalattomien kalusteiden, kuten vaatekaappien, alle, sillä lattialla ei ole riittävää ilmankiertoa.

Suunnittelutiedot

Alusrakenteen on sovelluttava lämmityskaapeleiden asentamiseen. Erityisesti tasaisuus ja kestävyys on tarkastettava. Tarvittaessa aluskerros on tasattava tai muuten valmistettava Comfort E -järjestelmän asennusta varten. Ennen asennusta on varmistettava, että lattian rakennetta koskevat standardit ja ohjeet ovat tiedossa ja että niitä noudatetaan. Jos suunnittelua ja asennusta ei hoideta ammattimaisesti ja ohjeita noudattaen, takuu raukeaa. Suunnitteluvaiheessa lämmönluovutuslevyjien, lattialämpötila-anturin ja huonelämpötilamittarin sijainti kirjataan rakennepiirustukseen. Nykyiset ja tulevat kalusteet, kuten muun muassa komerot ja kaapit, on otettava huomioon.



Tärkeää!

Lattialämmitysmattoa ei saa lyhentää, vaan se on tilattava huoneen mittojen mukaisesti.

Alusrakenteen valmistelu

Uponorin Comfort E -kaapelimattolattialämmitys voidaan asentaa kaikille tasaisille, vakaille ja lämmönkestäville alustoille. Lattian lämpöeristys on pakollinen lämpöhukan minimoimiseksi. Alusrakenne on ensin puhdistettava. Tarvittaessa voidaan käyttää sopivaa tasoittavaa massaa tai muita menetelmiä, joilla varmistetaan alusrakenteen riittävä tasaisuus ja pito. Järjestelmän asentaminen suoraan lastulevy- tai puulattioille ilman eristyslevyjä on kielletty. Noudata lattian pintamateriaalin valmistajan ohjeita.

Huonetermostaatin ja lämpötila-anturin asentaminen

Huonetermostaattia varten haluttuun paikkaan asennetaan tavanomainen uppoasennettava 230 V vaihtovirtapistorasias. Seinästä lattiaan asennetaan kaksi suojaputkea yhdyskaapelille ja lattialämpötila-anturin kaapelille. Lattiaan asennetaan lattialämpötila-anturin suojaputki niin, että anturi on lähellä lattian pintaa. Lattialämmitysmaton yhdyskaapelia ja lattialämpötila-anturia ei saa asentaa samaan suojaputkeen! Jos huonelämpötilamittariin kytketään rinnakkain useampia lämmönluovutuslevyjä, pitää asentaa uppoasennettava liitinkotelo. Vikavirtasuojajytkin (30 mA) on asennettava sulakkeeksi. Lisäksi on noudatettava huonetermostaatin omia ohjeita.

Lattiapäällysteet

Lattiapäällysteen soveltuvuus sähköisen lattialämmityksen asentamiseen on varmistettava lattiapäällysteen valmistajalta. Lisäksi on noudatettava kaikkia valmistajan lisäohjeita. Lattialämmitysmattojen asennusalueelle lattiaan ei saa tehdä reikiä (esim. oven pysäytinten asentamiseksi). Lämpöä eristäviä peitteitä, kuten paksuja mattoja, ei saa käyttää asennusalueella, sillä ne voivat nostaa lämpötilaa tai johtaa ylikuumenemiseen.

Asennus vaihe vaiheelta

1. Tarkista, että toimitetut tuotteet vastaavat tilausta.
2. Tarkasta toimitetut lattialämmitysmatot mittaamalla eristysresistanssi eristysvastusmittarilla ja lattialämmityskaapelin resistanssi ohmimittarilla ja kirjaa arvot liitteenä olevaan Uponor Comfort E -asennus- ja luovutusasiakirjaan. Vertaa arvoja tehdasoletusarvoihin.
3. Asenna suojaputket, kojerasia ja tarvittaessa jakorasia seinään. Jos lattialämpötila-anturin suojaputki ja huonetermostaatti asennetaan keskelle kahden lämmityskaapelin alle, alusrakennetta voidaan joutua leikkaamaan. Asenna lattialämpötila-anturi ja kaapeli suojaputkeen.
4. Levitä Comfort E -lattialämmitysmatto suunnitelman mukaisesti. Irrota suojakalvo varovasti tarrapinnasta ja paina lattialämmitysmatto lattiaan. Suuntaa vaihdettaessa lattialämmitysmaton taustakangas voidaan leikata saksilla. Lämmityskaapeli ei saa olla haljennut tai muuten vaurioitunut. Lämmityskaapeleita asentaa ristiin eikä reitittä kulkemaan liikuntasaumojen yli.
5. Asenna lämmönlattialämmitysmatto niin, että lattialämpötila-anturi on keskellä kahden lämmityskaapelin alla. Asenna johdin suojaputkeen ja merkitse kojerasiaan jääviin päihin jokaisen lattialämmityskaapelin pää.
6. Irrota kaapelin pään eristys ja mittaa vielä kerran eristysresistanssi ja lattialämmityskaapeleiden resistanssi. Kirjaa mittausarvot liitteenä olevaan Uponorin Comfort E -asennus- ja luovutusasiakirjaan.
7. Tasoite voidaan asentaa valmistajan antamien vaatimusten ja ohjeiden mukaisesti. Tämän jälkeen lattiapintamateriaali voidaan asentaa.
8. Tarkista lopuksi lattialämmityskaapelin eristys ja resistanssi. Kirjaa mittausarvot liitteenä olevaan Uponorin Comfort E -asennus- ja luovutusasiakirjaan. Uponorin tuotetakuun saaminen edellyttää, että kaikki mittaukset dokumentoidaan Uponorin Comfort E -asennus- ja luovutusasiakirjaan. Asiakirja on liitettävä takuuhakemukseen.
9. Liitä lattialämmitysmaton virtajohto ja lattialämpötila-anturi huonetermostaattiin sekä kytke 230 voltin jännite päälle. Noudata myös huonetermostaatin asennus- ja käyttöohjeita.

FI



Huomio! Sähköiskuvaara!

Uponorin sähköinen Comfort E -lattialämmitys toimii 230 voltin vaihtovirralla. Sähköliitännät on teetettävä aina valtuutetulla sähköasentajalla.

Käyttöönotto

Testaa järjestelmän toiminta kytkemällä sähköinen huonetermostaatti päälle ja tekemällä haluamasi asetukset.

Tämän jälkeen lämmitysjärjestelmä voidaan luovuttaa asiakkaalle tai käyttäjälle. Luovutukseen kuuluu:

- asennussuunnitelma, josta näkyvät yksittäisten lattialämmitysmattojen numero ja sijainti (ja lämmitystehot) sekä liitinkoteloiden, lattialämpötila-anturin ja huonetermostaatin sijainti.

- kokoonpano- ja käyttöohje sekä
- Uponorin Comfort E -asennus- ja luovutusasiakirja.

Asiakirjat on säilytettävä huolella, ja niiden on oltava aina saatavilla yksittäisten lattialämmitysmattojen sijainnin selvittämiseksi.

Huomio!

Lattialämmitysmattojen asennusalueelle lattiaan ei saa tehdä reikiä (esim. oven pysäytinten asentamiseksi).

Uponorin Comfort E -asennus- ja luovutusasiakirja*

Rakennusprojekti/osoite

Sähköasennuksen ammattilainen

Liimaa tuotetarrat tähän

Liimaa tuotetarrat tähän

FI

Vertaa alla olevaan taulukkoon merkattuja arvoja tehdasoletusarvoihin, jotka löytyvät Suunnittelutiedot-taulukosta

Resistanssi- ja eristysmittaukset		Ennen lattiaämmitysmaton asennusta		Lattiaämmitysmaton asennuksen jälkeen / Ennen pintamateriaalin asennusta		Pintamateriaalin asennuksen jälkeen	
Huoneen nro/nimi	Lattiaämmitysmaton osanro	Lattiaämmitysmaton resistanssi ¹⁾ (Ω)	Eristysresistanssi ²⁾ (MΩ)	Lattiaämmitysmaton resistanssi ¹⁾ (Ω)	Eristysresistanssi ²⁾ (MΩ)	Lattiaämmitysmaton resistanssi ¹⁾ (Ω)	Eristysresistanssi ²⁾ (MΩ)

¹⁾ Toleranssi -5 % - +10 % ²⁾ Minimieristysresistanssi 10 MΩ

Uponorin sähköinen Comfort E -lattiaämmitys on asennettu ammattimaisesti valmistajan ohjeiden mukaisesti. Järjestelmä on liitetty 230 voltin sähköverkkoon ja luovutettu täysin käyttövalmiina seuraavien asiakirjojen kanssa

- Asennus- ja käyttöohje
 Asennussuunnitelma/-piirustus

- Asennuskuvat
 Comfort E -asennus- ja luovutusasiakirja

Paikka, päivämäärä

Urakoitsijan/ammattisähköasentajan allekirjoitus

Paikka, päivämäärä

Asiakkaan/rakennuksen omistajan allekirjoitus

* Uponorin tuotetakuun saaminen edellyttää, että kaikki mittaukset dokumentoidaan Uponorin Comfort E -asennus- ja luovutusasiakirjaan. Asiakirja on liitettävä takuuhakemukseen.

Tartalomjegyzék

Termékinformáció a Bizottsági Rendelettel kapcsolatban (EU) 2015/1188	32	Telepítés és üzembe helyezés	35
Fontos megjegyzések a tervezett felhasználásról, a biztonságról és a garanciáról	33	Telepítési útmutató	35
Tervezett felhasználás	33	A telepítés egyes lépései	36
Uponor jóállási nyilatkozat	33	Üzembe helyezés	36
A rendszer leírása	34	Uponor Comfort E telepítési és átvételi jegyzőkönyv	37
Padlószerkezet	34	Képek a telepítésről.....	74
Műszaki adatok	34		
Tervezési adatok	34		

Termékinformáció a Bizottsági Rendelettel kapcsolatban (EU) 2015/1188

Az elektromos egyedi helyiségfűtő berendezések termékinformációs követelményei

Modellazonosító(k): Uponor Comfort E Cable Mat 160 & Uponor Comfort E thermostat dig.prog. Flush Set T-87IF
1088668 - 1088679

Jellemző	Jel	Érték		T-87IF ¹⁾	T-86	T-85		
Hőteljesítmény				A hőbevitel típusa (csak a hőtárolós elektromos egyedi helyiségfűtő berendezések esetében – egyet jelöljön meg)				
Névleges hőteljesítmény	P_{nom}	0,16 - 1,92 ²⁾	kW	Kézi töltésszabályozás beépített termostattal	nem	nem		
Minimális hőteljesítmény (indikatív)	P_{min}	N.A.	kW	Kézi töltésszabályozás beltéri és/vagy kültéri hőmérséklet-visszacsatolással	nem	nem		
Maximális folyamatos hőteljesítmény	$P_{max,c}$	0,16 - 1,92 ²⁾	kW	Elektronikus töltésszabályozás beltéri és/vagy külső hőmérséklet-visszacsatolással	nem	nem		
Kiegészítő villamosenergia-fogyasztás		T-87IF	T-86	T-85	Ventilátorral segített hőleadás	nem	nem	
A névleges hőteljesítményen	$e_{l,max}$	< 0,001	< 0,001	< 0,001	kW	A teljesítmény, illetve a beltéri hőmérséklet szabályozásának típusa (egyet jelöljön meg)		
A minimális hőteljesítményen	$e_{l,min}$	< 0,001	< 0,001	< 0,001	kW	Egyetlen állás, beltéri hőmérséklet-szabályozás nélkül	nem	nem
Készenléti üzemmódban	$e_{l,SB}$	< 0,001	< 0,001	< 0,001	kW	Két vagy több kézi szabályozású állás, beltéri hőmérséklet-szabályozás nélkül	nem	nem
						Mechanikus termostatos beltéri hőmérséklet-szabályozás	nem	nem
						Elektronikus beltéri hőmérséklet-szabályozás	nem	nem
						Elektronikus beltéri hőmérséklet-szabályozás és napszak szerinti szabályozás	nem	nem
						Elektronikus beltéri hőmérséklet-szabályozás és heti szabályozás	igen	igen ³⁾
						Más szabályozási lehetőségek (többet is megjelölhet)		
						Beltéri hőmérséklet-szabályozás jelenlét-érzékeléssel	nem	nem
						Beltéri hőmérséklet-szabályozás nyitottablak-érzékeléssel	nem	nem ⁴⁾
						Távszabályozási lehetőség	nem	nem
						Adaptív bekapcsolásszabályozás	igen	igen
						Működési idő korlátozása	igen	igen
						Feketegömb-érzékelővel ellátva	nem	nem

¹⁾ A Comfort E fűtőszőnyeg része

²⁾ 160, 240 W (1; 1,5 qm) nem része ennek a szabályozásnak

³⁾ külső időkapcsolóval ellátott termostattal (az oldalán)

⁴⁾ külső "nyitott ablak" érzékelővel (az oldalán)

Uponor GmbH - Industriestr. 56 - 97437 Hassfurt - www.uponor.com

Csak az EU 2015/1188 rendeletnek megfelelő hőmérséklet szabályzóval, az ott leírt funkcionalitás szerint.

Fontos megjegyzések a tervezett felhasználásról, a biztonságról és a garanciáról

Tervezett felhasználás

Az Uponor Comfort E elektromos padlófűtés rendszer, amely zárt épületek helyiségeinek hűn tartására vagy fűtésére használható. A telepítés a technológiai szabályok és a vonatkozó irányelvek szerint történik, miután a padlózat alatti talajt az illetékes gyártó megfelelőnek találta és jóváhagyta. Bármilyen más felhasználás nem tervezettnek minősül, és érvényteleníti a gyártói garanciát.

Uponor Comfort E alufólia fűtőszőnyeg – Jótállási nyilatkozat

Legyen biztonságban – szerezze be az Uponor jótállási nyilatkozatát:

Használja ki a kínálókozó lehetőséget, és szerezze be a 10 évre szóló jótállást az Uponor Comfort E fűtőszőnyegekhez.

Az Uponor jótállási nyilatkozatának alapja a telepítési és átvételi jegyzőkönyv, mely szerint minden Uponor termék telepítését erre szakosodott szakember végezte, a vonatkozó szerelési utasításoknak megfelelően, összhangban a vonatkozó törvényi előírásokkal, rendeletekkel és a rögzített technológiai szabályokkal.

A legkönnyebben így juthat hozzá az Uponor jótállási nyilatkozatához:

1. Ön telepítési szakember, és azt a megfelelő Uponor rendszert telepítette, amelyre az Uponor jótállási nyilatkozatának kiadását kéri.
2. A termék telepítése óta még nem telt el 3 hónap.
3. Kérjen regisztrációs nyomtatványt az Uponor jótállási nyilatkozathoz, és töltsse ki; a jelen telepítési útmutatóban található Uponor Comfort E telepítési és átvételi jegyzőkönyvet is töltsse ki, pecsételje le és írja alá. Küldje el a dokumentumokat e-mailben (warranty.comfort-e@uponor.com) az Uponorhoz.
4. Néhány munkanapon belül kézhez kapja az Uponor jótállási nyilatkozat eredeti példányát.

Ha egy telepítésnél az Uponor termékeket más gyártó termékével szerelik össze, vagy használják vegyesen, Uponor jótállási nyilatkozat nem adható ki, illetve az visszamenőleg is elveszíti érvényességét.

Fontos biztonsági útmutató a telepítéshez

- A fűtőszőnyeg kizárólag a termosztáthoz csatlakoztatott padlóhőfok-szabályozóval együtt működtethető.
- A fűtőszőnyeg csak megfelelő csatlakozóaljzaton keresztül csatlakoztatható a 230 V-os hálózathoz. A fűtőszőnyeg elé 30 mA-es megszakítót kell beépíteni.
- A fűtőszőnyeg leterítésekor legalább 60 mm távolságot kell hagyni az elektromosan vezető épületelemektől (pl. vízvezetékfőtől).
- Az üzem közbeni túlhevülés megelőzése érdekében a fűtőszőnyeget ne telepítse olyan bútor vagy vizesblokk alá, amely nem rendelkezik külön lábakkal, hanem közvetlenül a padlóra fekszik fel.
- A hő- és hidegvezető összekötő hüvelyeit nem szabad feszültségnek kitenni.
- A fűtőkábel nem haladhat át dilatációs hézagokon, illetve szigeteléseken vagy szigetelőanyagokon vagy ezek mögött.
- A fűtőkábelek esetében nem szabad 30 mm-nél kisebb rádiuszú hajlítást alkalmazni.
- A telepítés során ügyelni kell, hogy a fűtőkábel ne sérüljön meg, és ne keletkezzen rajra hurok. A fűtőkábel nem keresztezhet sem más fűtőkábelt, sem önmagát.
- Ha a helyiségbe több fűtőszőnyeget kell telepíteni, azokat párhuzamosan kell rákapcsolni a hálózati feszültségre. Soha ne kösse sorba őket!
- A telepítés során a hőmérséklet legalább 5 °C legyen.



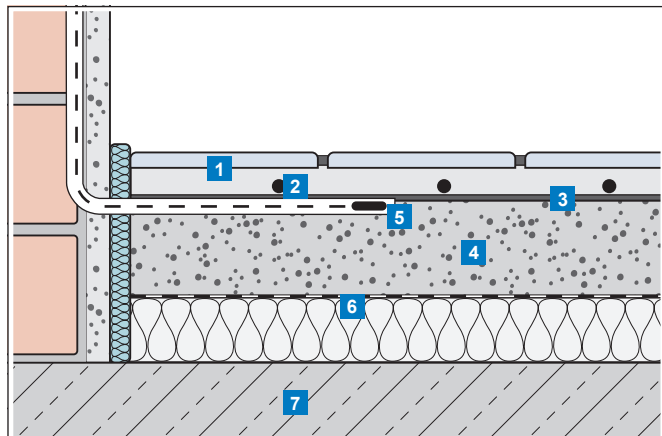
Figyelem! Áramütés veszélye!

Az Uponor Comfort E elektromos padlófűtés 230 V-os váltóárammal működik. Az elektromos hálózathoz való csatlakoztatást kizárólag szakképzett személy végezheti.

Az Uponor fenntartja a jogot, hogy előzetes értesítés nélkül módosítsa a rendszer összetevőinek tulajdonságait, a folyamatos fejlődésre és fejlesztésre kiemelt hangsúlyt fektető vállalati irányelveivel összhangban.

A rendszer leírása

Padló szerkezet (példa)



- 1 Csemperagasztó és csempe
- 2 Uponor Comfort E fűtőszőnyegek
- 3 Opcionális: alapozó, töltőanyag
- 4 Beton
- 5 Padlóérzékelő védőcsőben
- 6 Szigetelőréteg, szigetelőréteg borítással
- 7 Teherhordó anyag (pl. beton)

Műszaki adatok

Műszaki adatok – Uponor Comfort E fűtőszőnyeg	
Névleges feszültség	230 V, AC
Névleges teljesítmény	160 W/m ²
C-karakterisztikájú megszakító ¹⁾	Max. 16 A
Legkisebb hajlítási rádiusz	30 mm
Legkisebb telepítési távolság	60 mm
Legnagyobb üzemi hőmérséklet	+90 °C
Legkisebb telepítési hőmérséklet	+5 °C
Csatlakozókábel vezetési keresztmetszete	3 x 0,75 mm ²
Csatlakozókábel hossza	4,0 m
Tanúsítványok	VDE, CE

¹⁾ Ha egy biztosításhoz több fűtőszőnyeg is csatlakozik, a fűtőszőnyegeken átfolyó maximális áramerősség 16 A lehet.

Fontos!

Az Uponor T-87IF termosztát 10 A áramot kapcsol. A fűtőszőnyegek és kábelek tetszőleges kombinációja csatlakoztatható, ha az összesített áramerősség nem haladja meg ezt az értéket.

Tervezési adatok

Fűtőszőnyeg típusa	Telepítési terület (m ²)	Fűtőszőnyeg hossza (m)	Fűtőszőnyeg teljesítménye (W)	Fűtőszőnyeg ellenállása ¹⁾ (Ω)
UPONOR COMFORT E CABLE MAT 160-1	1	2	160	329
UPONOR COMFORT E CABLE MAT 160-1,5	1,5	3	240	224
UPONOR COMFORT E CABLE MAT 160-2	2	4	320	171
UPONOR COMFORT E CABLE MAT 160-2,5	2,5	5	400	132
UPONOR COMFORT E CABLE MAT 160-3	3	6	480	107
UPONOR COMFORT E CABLE MAT 160-4	4	8	640	85
UPONOR COMFORT E CABLE MAT 160-5	5	10	800	69
UPONOR COMFORT E CABLE MAT 160-6	6	12	960	55
UPONOR COMFORT E CABLE MAT 160-7	7	14	1120	48
UPONOR COMFORT E CABLE MAT 160-8	8	16	1280	42
UPONOR COMFORT E CABLE MAT 160-10	10	20	1600	33
UPONOR COMFORT E CABLE MAT 160-12	12	24	1920	28

¹⁾ Tűrés: -5% és +10% között

Telepítés és üzembe helyezés

Telepítési útmutató

Általános információk

A fűtőkábelből nem szabad levágni, az nem keresztezhet más fűtőkábelt vagy önmagát, és nem is érhet hozzájuk. Nem megengedett a fűtőkábelek dilatációs hézagban való vezetése. A csatlakozókábel vezethető védőcsőben, ha a nyomvonal dilatációs hézagot keresztez. Nem helyezhető fűtőkábel padlón álló vizesblokk, pl. kád, vécé vagy zuhanytálca alá. Szintén nem megengedett a vezeték láb nélküli bútor, pl. ruhásszekrény alá telepítése, mivel ott nem megfelelő a légáramlás, és a keletkező hő nem tud eltávozni.

Megjegyzések a tervezéshez

A felület legyen alkalmas vezetékfektetésre. Különösképpen a sík fekvést és a szilárdságot kell ellenőrizni. Szükség esetén az altalajt ki kell egyenlíteni vagy más módon elő kell készíteni a Comfort E rendszer telepítéséhez. Telepítés előtt ismerje meg a padlószerkezetre vonatkozó szabványokat és irányelveket, és tartsa is be őket. Ezek figyelmen kívül hagyása, illetve szakszerűtlen tervezés és telepítés esetén a garancia érvényét veszti. Tervezéskor a tervrajzon fel kell tüntetni az egyes fűtőszőnyegeket, a padlólőhőmérséklet-érzékelő és a termosztát helyét. Figyelembe kell venni a meglévő és a majdani bútorzat, pl. padlón álló szanitertárgyak vagy álló ruhásszekrények stb. elrendezését.



Fontos!

A fűtőszőnyegből nem szabad levágni, ezért a megrendelést a helyiség méretének megfelelően kell leadni.

A felület előkészítése

Az Uponor Comfort E fűtőszőnyeges padlófűtés rendszer bármilyen sík, stabil és hőálló felületre telepíthető. A padló hőszigetelése elengedhetetlen a lefelé irányuló hővesztések minimalizálásához. A felületet először meg kell tisztítani. Szükség esetén használjon padlókiegyenlítő anyagot, vagy más módszerrel biztosítsa a szükséges sík felületet és a megfelelő tapadást a felület és a fűtési rendszer között. Nem megengedett a fűtőszőnyeg közvetlen faforgácslapra vagy fapadlóra helyezése, közbenső szigetelő szőnyeg nélkül. Tartsa be a padlóburkolat gyártójának előírásait.

Helyiségtermosztát és padlólőhőmérséklet-érzékelő beszerelése

A termosztát beszereléséhez kereskedelmi forgalomban kapható, süllyesztett kivitelű, 230 V-os váltóáramú hálózati csatlakozóaljzatot kell biztosítani a kijelölt helyen. Innen két védőcsövet kell a falba süllyesztve a földbe levezetni, a csatlakozókábel és a padlólőhőmérséklet-érzékelő számára. A padlólőhőmérséklet-érzékelő védőcsövét be kell szerelni a padlóba is, egy szintben a felülettel, az érzékelőnél. A padlófűtés csatlakozókábelét és a padlólőhőmérséklet-érzékelő kábelét tilos azonos védőcsőben elhelyezni! Süllyesztett szerelésű bekötődobozt kell alkalmazni, ha több fűtőszőnyeget kell párhuzamosan kapcsolni a termosztáttal. Biztosítékként be kell építeni egy maradékáram-megszakítót (30 mA). Tartsa be a termosztát külön használati utasítását.

Padlóburkolatok

Az adott gyártónak kell tanúsítania, hogy a padlóborítás használható-e az elektromos padlófűtési rendszerrel együtt. A gyártó minden további előírását is be kell tartani. A telepített fűtőszőnyegek környékén nem lehet lyuk a padlóban (pl. ajtóütköző rögzítéséhez). Nem megengedett az elektromos padlófűtésnél a szigetelő burkolat, pl. vastag szőnyeg, mivel túlhevülést és hőfelhalmozódást okozhat.

A telepítés egyes lépései

1. Vesse össze a leszállított anyagot a rendelésével
2. A fűtőszőnyeget méréssel ellenőrizze; mérje meg a szigetelés és a fűtőszőnyeg ellenállását, és a kapott értékeket írja be a mellékelt Uponor Comfort E telepítési és átvételi jegyzőkönyvbe. Hasonlítsa össze az eredményt a gyári alapadatokkal.
3. Szerelje be a védőcsöveket, az UP kapcsolódobozt, valamint szükség esetén a falba az UP bekötődobozt. Előfordulhat, hogy a padlóléghőmérséklet-érzékelő védőcsövének a felülettel egy síkba süllyesztéséhez és a hőmérséklet-érzékelőnek a két fűtőkábel alatti központos elhelyezéséhez a felületet meg kell bontani vagy ragasztani kell. Helyezze a padlóléghőmérséklet-érzékelőt és a kábelt az érzékelő védőcsövébe.
4. A telepítési terv szerint görgesse ki a Comfort E fűtőszőnyeget. Fokozatosan távolítsa el a védőfóliát a ragasztós felületről, és nyomja rá a fűtőszőnyeget a padlófelületre. Az irányváltáshoz vágja el ollóval a fűtőszőnyeg szövet hátlapját. Ügyeljen rá, hogy a fűtőkábel ne szakadjon el és ne sérüljön meg. A fűtőkábelek nem keresztezhetik a dilatációs hézagokat, és nem is haladhatnak fölöttük.
5. Úgy helyezze el a fűtőszőnyeget, hogy a padlóléghőmérséklet-érzékelő két fűtőkábel között középen helyezkedjen el. Vezesse át a hidegvezetőt a védőcsövön, bele a süllyesztett kapcsolódobozba vagy a süllyesztett bekötődobozba, és jelölje meg a megfelelő fűtőszőnyeg kábelvégeit.
6. Távolítsa el a szigetelést a kábelvégekről, és mérje meg újra a szigetelési ellenállást és a fűtőszőnyeg ellenállását. Minden mért értéket írjon be a mellékelt Uponor Comfort E telepítési és átvételi jegyzőkönyvbe.
7. Ezután alkalmazható a padlóburkolatnak megfelelő padlókiegyenlítő, az illetékes gyártó előírásainak és a rendelkezésre álló műszaki adatoknak megfelelően. Ezután le lehet fektetni a padlóburkolatot.
8. A padlóburkolat lefektetését követően végrehajtható a fűtőszőnyeg szigetelésének és a fűtőszőnyeg ellenállásának végső ellenőrzése. Minden mért értéket írjon be a mellékelt Uponor Comfort E telepítési és átvételi jegyzőkönyvbe. A termékgarancia akkor kerül kiadásra, ha minden mért érték dokumentálásra kerül az Uponor Comfort E telepítési és átvételi jegyzőkönyvben. A jegyzőkönyvet csatolni kell a garanciakérelemhez.
9. Csatlakoztassa a fűtőszőnyeg tápkábelét és a padlóléghőmérséklet-érzékelőt a termosztáthoz, majd csatlakoztassa azt a 230 V-os hálózathoz. Tartsa be a termosztát külön telepítési és használati utasítását.

HU



Figyelem! Áramütés veszélye!

Az Uponor Comfort E elektromos padlófűtés 230 V-os váltóárammal működik. Az elektromos hálózathoz való csatlakoztatást kizárólag szakképzett személy végezheti.

Üzembe helyezés

Kapcsolja be a helyiség elektromos hőmérséklet-szabályozóját, állítsa be rajta a kívánt értékeket, és tesztelje a működését.

Ezután a fűtési rendszert át lehet adni az ügyfélnek vagy az üzemeltetőnek. Az átadás tartalma:

- a telepítési terv, feltüntetve rajta az egyes fűtőszőnyegek száma és helye (a vonatkozó fűtőkapacitásokkal együtt), valamint a bekötődobozok, a padlóléghőmérséklet-érzékelő és a termosztát helye,

- a szerelési és használati utasítások, valamint
- az Uponor Comfort E telepítési és átvételi jegyzőkönyv.

A dokumentumokat gondosan meg kell őrizni, és biztosítani kell a mindenkor hozzáférhetőségüket, az egyes fűtőszőnyeg helyének beazonosíthatósága érdekében.

Figyelem!

A telepített fűtőszőnyegek környékén nem lehet lyuk a padlóban (pl. ajtóütköző rögzítéséhez).

Uponor Comfort E telepítési és átvételi jegyzőkönyv*

Építési projekt / cím

Telepítési szakember,
230 V-os csatlakozás

A termékcímkét ide ragassza

A termékcímkét ide ragassza

Hasonlítsa össze az alábbi táblázatba beírt értékeket a „Tervezési adatok” táblázat szerinti gyári alapértékekkel

Ellenállás és szigetelés mért értékek		A fűtőszőnyegek lehelyezése előtt		A fűtőszőnyegek lehelyezése után / a burkolat lehelyezése előtt		A burkolat lehelyezése után	
Helyiség sz. / rendeltetés	Fűtőszőnyeg cikkszama	Fűtőszőnyeg ellenállása ¹⁾ (Ω)	Szigetelési ellenállás ²⁾ (MΩ)	Fűtőszőnyeg ellenállása ¹⁾ (Ω)	Szigetelési ellenállás ²⁾ (MΩ)	Fűtőszőnyeg ellenállása ¹⁾ (Ω)	Szigetelési ellenállás ²⁾ (MΩ)

¹⁾ Tűrés -5% és +10% között ²⁾ Legkisebb szigetelési ellenállás: 10 MΩ

Az Uponor Comfort E elektromos padlófűtés szakszerűen telepítve a gyártó előírásainak megfelelően, csatlakoztatva a 230 V-os elektromos hálózathoz, és átadva teljesen működőképes állapotban, a következő dokumentumokkal:

- Telepítési és üzemeltetési útmutató
 Telepítési terv / rajz

- Telepítési képek
 Uponor Comfort E telepítési és átvételi jegyzőkönyv

Hely, dátum

Alvállalkozó / minősített villanyszerelő aláírása

Hely, dátum

Ügyfél / épülettulajdonos aláírása

* A termékgarancia akkor kerül kiadásra, ha minden mért érték dokumentálásra kerül az Uponor Comfort E telepítési és átvételi jegyzőkönyvben. A jegyzőkönyvet csatolni kell a garanciakérelemhez.

Inhoud

Productinformatie met betrekking tot Verordening (EU) 2015/1188	38	Installatie en inbedrijfstelling	41
Belangrijke instructies voor gebruik conform het gebruiksdoel, veiligheid en aansprakelijkheid	39	Installatie-instructies	41
Gebruik conform het gebruiksdoel	39	Montage stappen	42
Uponor-aansprakelijkheidsverklaring	39	Inbedrijfstelling	42
Systeembeschrijving	40	Uponor Comfort E montage- en overdrachtsprotocol	43
Vloerconstructie	40	Installatieafbeeldingen	74
Technische gegevens	40		
Ontwerpgegevens	40		

Productinformatie met betrekking tot Verordening (EU) 2015/1188

Informatie-eisen voor elektrische toestellen voor lokale ruimteverwarming

Typeaanduiding(en): **Uponor Comfort E Cable Mat 160 & Uponor Comfort E thermostat dig.prog. Flush Set T-87IF 1088668 - 1088679**

Item	Symbol	Waarde	Item	T-87IF ¹⁾	T-86	T-85
Warmteafgifte			Type warmte-input, uitsluitend voor elektrische warmteopslagtoestellen (selecteer één)			
Nominale warmteafgifte	P _{nom}	0,16 - 1,92 ²⁾	kW	Handmatige sturing van de warmteopslag, met geïntegreerde thermostaat	neen	neen
Minimale warmteafgifte (indicatief)	P _{min}	N.A.	kW	Handmatige sturing van de warmteopslag, met kamer- en/of buitentemperatuurfeedback	neen	neen
Maximale continue warmteafgifte	P _{max,c}	0,16 - 1,92 ²⁾	kW	Elektronische sturing van de warmteopslag, met kamer- en/of buitentemperatuurfeedback	neen	neen
Aanvullend elektriciteitsverbruik			Type warmteafgifte/sturing kamertemperatuur (selecteer één)			
		T-87IF	T-86	T-85		
Bij nominale warmteafgifte	el _{max}	< 0,001	< 0,001	< 0,001	kW	Eentrapswarmteafgifte, geen sturing van de kamertemperatuur
Bij minimale warmteafgifte	el _{min}	< 0,001	< 0,001	< 0,001	kW	Twee of meer handmatig in te stellen trappen, geen sturing van de kamertemperatuur
In stand-bymodus	el _{SB}	< 0,001	< 0,001	< 0,001	kW	Met mechanische sturing van de kamertemperatuur door thermostaat
						Met elektronische sturing van de kamertemperatuur
						Elektronische sturing van de kamertemperatuur plus dag-tijdschakelaar
						Elektronische sturing van de kamertemperatuur plus week-tijdschakelaar
						Andere sturingsopties (meerdere selecties mogelijk)
						Sturing van de kamertemperatuur, met aanwezigheidsdetectie
						Sturing van de kamertemperatuur, met openraamdetectie
						Met de optie van afstandsbediening
						Met adaptieve sturing van de start
						Met beperking van de werkingstijd
						Met black-bulbsensor

¹⁾ Onderdeel van de Comfort E kabelmat set

²⁾ 160, 240 W (1; 1,5 qm) geen onderdeel van de regeling

³⁾ Integratie van een externe wekklok met de ruimtethermostaat (door derden)

⁴⁾ Integratie van raamcontactschakelaars (door derden)

Uponor GmbH - Industriestr. 56 - 97437 Hassfurt - www.uponor.com

Conformiteit met de EU 2015/1188 verordening is alleen geldig bij gebruik van de gespecificeerde ruimtethermostaat met de beschreven functies.

Belangrijke instructies voor gebruik conform het gebruiksdoel, veiligheid en aansprakelijkheid

Gebruik conform het gebruiksdoel

Uponor Comfort E is een elektrische vloerverwarming die wordt gebruikt voor het regelen van de temperatuur of het verwarmen van ruimtes in gesloten gebouwen. De installatie dient volgens de geldende voorschriften en desbetreffende richtlijnen te verlopen en op een geschikte ondergrond onder de door de betreffende fabrikant toegestane vloerbedekking. Elk ander gebruik is niet reglementair en leidt tot het verlies van fabrikantaansprakelijkheid.

Uponor-aansprakelijkheidsverklaring voor Comfort E Cable Mat

Neem geen risico - zo verkrijgt u de

Uponor-aansprakelijkheidsverklaring:

Benut de mogelijkheid om voor uw bouwobject tot 10 jaar garantie te genieten op de gebruikte Uponor Comfort E cable mat-verwarmingsmatten. Basis voor het opstellen van de Uponor-aansprakelijkheidsverklaring is het bewijs dat alle Uponor-producten conform de overeenkomstige montagehandleidingen, volgens de desbetreffende regelgeving en geldende voorschriften, de erkende richtlijnen, door een professioneel installateur zijn geïnstalleerd.

Vraag de Uponor-aansprakelijkheidsverklaring aan - dit is heel eenvoudig:

1. U bent een professioneel installateur en hebt de betreffende installatie gemonteerd waarvoor een aansprakelijkheidsverklaring moet worden opgesteld.
2. De producten zijn niet langer dan 3 maanden geleden geplaatst.
3. Vraag de "Registratie voor aansprakelijkheidsverklaring" aan en vul deze samen met het "Uponor Comfort E montage- en overdrachtsprotocol" bij deze handleiding volledig in, inclusief bedrijfsstempel en handtekening. Stuur de documenten per e-mail (warranty.comfort-e@uponor.com) naar Uponor.
4. Binnen enkele werkdagen ontvangt u de originele Uponor-aansprakelijkheidsverklaring.

Worden Uponor-producten binnen een installatie met externe producten gebruikt of gemengd gebruikt, kan geen aansprakelijkheidsverklaring worden opgesteld of verliest deze naderhand zijn geldigheid.

Belangrijke veiligheidsinstructies voor plaatsing

- De verwarmingsmatten mogen enkel in combinatie met een ruimtetemperatuurregelaar met aangesloten Uponor vloertemperatuur-/ afstandsensor worden gebruikt.
- De verwarmingsmatten mogen uitsluitend via een contactdoos worden aangesloten op 230 V netspanning. De werking verloopt via een aardlekschakelaar met een afzekering van 30 mA.
- Bij het aanleggen van de verwarmingsmat moet een afstand van minstens 60 mm van geleidende gebouwdelen (bijv. waterleidingen) worden gerespecteerd.
- Onder meubelen en andere inrichtingsobjecten die rechtstreeks en zonder poten op de vloer staan mogen geen verwarmingsmatten worden gelegd om temperatuuropbouw tijdens de werking te vermijden.
- De verbindingsmoffen van de verwarmingsleidingen mogen geen spanning ondervinden.
- De verwarmingsleidingen mogen noch via uitzetvoegen, noch door of achter isolatie- of dempmateriaal lopen.
- Voor de verwarmingsleidingen mag de minimale buigstraal van 30 mm niet worden onderschreden.
- De verwarmingsleidingen mogen niet worden geknikt of op een andere manier worden beschadigd bij het plaatsen. Verwarmingsleidingen mogen elkaar niet kruisen.
- Wanneer meerdere verwarmingsmatten in een ruimte worden geplaatst, mag deze enkel parallel op netspanning worden aangesloten. Nooit in serie schakelen!
- De plaatsingstemperatuur dient ten minste 5 °C te bedragen.



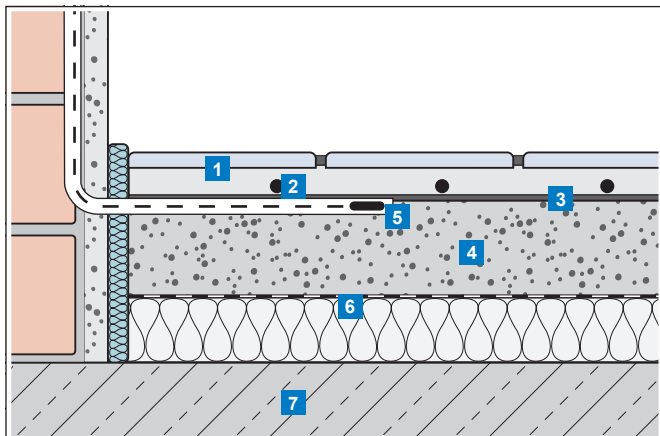
Opgelet! Gevaar voor elektrische schok!

De Uponor Comfort E elektrische vloerverwarming werkt op een spanning van 230 V AC. Enkel gekwalificeerd vakpersoneel mag de installatie aansluiten op het elektriciteitsnet.

Uponor behoudt het recht om, zonder voorafgaande kennisgeving, de specificatie van geïntegreerde componenten aan te passen overeenkomstig het bedrijfsbeleid voor voortdurende verbetering en ontwikkeling.

Systembeschrijving

Vloerconstructie (voorbeeld)



- 1 Tegellijm met vloerbedekking (tegels)
- 2 Uponor Comfort E cable mat verwarmingsmatten
- 3 Optioneel: grondlaag, vloerspachtelmasse
- 4 Dekvloer
- 5 Vloersensor in beschermende buis
- 6 Isolatielaag
- 7 Dragende ondergrond (bijv. beton)

Technische gegevens

Technische gegevens Uponor Comfort E cable mat	
Nominale spanning	230 V, AC
Nominaal vermogen	160 W/m ²
Installatieautomaat ¹⁾ met C-kenmerk	Max. 16 A
Isolatiweerstand	4000 MΩ
Min. buigstraal	30 mm
Min. plaatsingsafstand	60 mm
Max. bedrijfstemperatuur	+90 °C
Min. montagetemperatuur	+5 °C
Diameter van de aansluitleiding	3 x 0,75 mm ²
Lengte van de aansluitleiding	4,0 m
Toelatingen	VDE, CE

¹⁾ bij aansluiting van meerdere verwarmingsmatten op een beveiligingsautomaat is de totale aansluitstroom van de matten begrensd op max. 16 A.

Belangrijk!

De Uponor-thermostaat T-87IF schakelt 10 A. Elke combinatie van matten of kabels kan worden aangesloten, zolang de totale belasting deze waarde niet overschrijft.

NL

Ontwerpgegevens

Type verwarmingsmat	Plaatsingsoppervlakte (m ²)	Lengte verwarmingsmat (m)	Vermogen verwarmingsmat (W)	Weerstand verwarmingsmat ¹⁾ (Ω)
UPONOR COMFORT E CABLE MAT 160-1	1	2	160	329
UPONOR COMFORT E CABLE MAT 160-1,5	1,5	3	240	215
UPONOR COMFORT E CABLE MAT 160-2	2	4	320	167
UPONOR COMFORT E CABLE MAT 160-2,5	2,5	5	400	132
UPONOR COMFORT E CABLE MAT 160-3	3	6	480	110
UPONOR COMFORT E CABLE MAT 160-4	4	8	640	84
UPONOR COMFORT E CABLE MAT 160-5	5	10	800	68
UPONOR COMFORT E CABLE MAT 160-6	6	12	960	55
UPONOR COMFORT E CABLE MAT 160-7	7	14	1120	47
UPONOR COMFORT E CABLE MAT 160-8	8	16	1280	42
UPONOR COMFORT E CABLE MAT 160-10	10	20	1600	33
UPONOR COMFORT E CABLE MAT 160-12	12	24	1920	27

¹⁾ Tolerantie -5% tot +10%

Installatie en inbedrijfstelling

Installatie-instructies

Algemene instructies

De verwarmingskabels mogen niet worden ingekort. Ze mogen elkaar of andere kabels niet kruisen of aanraken. Het is niet toegestaan verwarmingskabels op uitzetvoegen te plaatsen. Onder sanitaire voorwerpen zoals badkuipen, toiletten of douches mogen geen verwarmingskabels worden geplaatst. Ook plaatsing onder meubels tot op de vloer, bijv. kasten, is niet toegestaan. Hier is onvoldoende luchtcirculatie voor het afvoeren van de warmte aanwezig.

Ontwerpinstructies

De ondergrond moet geschikt zijn voor plaatsing. Vooral de effenheid en vastheid moeten worden gecontroleerd. Indien nodig moet de ondergrond worden geëgaliseerd of op een andere manier voorbereid op het plaatsen van het Comfort E-systeem. Voor de plaatsing moeten de relevante normen en richtlijnen voor vloerconstructie in acht worden genomen. Bij niet-naleving en ondeskundige planning en installatie vervalt de aansprakelijkheid. Bij de planning moeten de positie van de verwarmingsmatten, de vloertemperatuur-/afstandsensoren en de ruimtethermostaat op het plan worden aangeduid. Daarbij moet de volgorde van aanwezige en toekomstige inrichtingsobjecten zoals op de vloer staande sanitaire objecten in acht worden genomen.



Belangrijk!

De verwarmingsmatten mogen niet worden ingekort en dienen in afmeting van de ruimtevorm te worden besteld.

Vorbereiding van de ondergrond

De Uponor Comfort E cable mat elektrische vloerverwarming kan op alle egale, vaste en warmtebestendige ondergronden worden geplaatst. Een warmte-isolatie in de vloer is absoluut noodzakelijk om warmteafgifte naar beneden te beperken. De ondergrond moet eerst worden gereinigd. Indien nodig moet met een geschikte egalisatiemassa of andere maatregelen de nodige effenheid en hechting van de ondergrond voor opname van het verwarmingssysteem tot stand worden gebracht. Directe plaatsing op spaanplaten of houtvloer is niet toegestaan zonder extra ontkoppelingsmatten. Respecteer de instructies van de bedekkingsfabrikant.

Installatie van de ruimtethermostaat en de vloertemperatuur-/afstandsensoren

Voor inbouw van de ruimtethermostaat is op de gekozen plaats een conventionele UP-schakelkast met 230 V AC-netaansluiting vereist. Van daaruit moeten twee buizen voor de aansluitkabel en de vloertemperatuur-/afstandsensoren in de wand tot de vloer worden ingeslepen. De buis voor de vloertemperatuur-/afstandsensoren moet bovendien tot aan de positie van de sensor egaal in de ondergrond worden geplaatst. Aansluitkabel en vloertemperatuur-/afstandsensoren mogen niet in dezelfde buis worden gelegd! Wanneer meerdere verwarmingsmatten parallel zijn aangesloten op de ruimtethermostaat, is daarvoor optioneel een UP-verdeeldoos vereist. Voor afzekering moet een aardlekschakelaar (30 mA) worden geïnstalleerd. De afzonderlijke handleiding voor de ruimtethermostaat moet in acht worden genomen.

Vloerbedekking

De fabrikant van de vloerbedekking moet de geschiktheid van de gebruikte bedekking voor elektrische vloerverwarming bevestigen. Daarnaast moeten alle andere instructies van de fabrikant in acht worden genomen. Waar de verwarmingsmatten worden geplaatst, mogen geen gaten (bijv. voor het bevestigen van deurstoppers) in de vloer worden gemaakt. Warmte-isolerende bedekking zoals dikke tapijten of kasten die met hun volledige oppervlak op de vloer rusten zijn niet toegestaan op plaatsen waar elektrische vloerverwarming aanwezig is. Dit kan namelijk leiden tot hoge temperaturen of warmteophoping in de vloer.

Montage stappen

1. Vergelijk het geleverde materiaal met uw bestelling.
2. Meet ter controle bij de geleverde verwarmingsmatten de isolatieweerstand met een isolatietester en de verwarmingsmatweerstand met de ohmmeter. Noteer de waarden op het bijhorende Comfort E montage- en overdrachtsprotocol. Vergelijk de waarde met de voorinstelwaarden van de fabrik.
3. Monteer de buizen, UP-schakelkast en evt. UP-verdeeldoos in de wand. Voor egale positionering van de sensorbuis en de sensor in het midden onder een tweetal verwarmingskabels moet de ondergrond evt. ook worden opengeboren of -gemaakt. Schuif de vloertemperatuur-/ afstandsensor in de sensorbuis.
4. Rol de Comfort E AL-verwarmingsmatten uit volgens het installatieplan. Verwijder daarbij stapsgewijs de beschermingsfolie van het kleefvlak en druk de verwarmingsmat tegen de ondergrond. Knip voor richtingsveranderingen het draagweefsel van de verwarmingsmatten in met een schaar. Daarbij mag de verwarmingskabel niet worden doorgeknipt of beschadigd. Verwarmingsleidingen mogen niet kruisen of door uitzetvoegen lopen.
5. Plaats de verwarmingsmatten zo dat de vloertemperatuur-/ afstandsensor zich in het midden onder een tweetal verwarmingsleidingen bevindt. Schuif de aansluitkabel door de buis in de UP-schakelkast of in de UP-verdeeldoos en markeer de kabeluiteinden van de afzonderlijke verwarmingsmatten.
6. Meet nogmaals de isolatie- en verwarmingsmatweerstand. Noteer de gemeten waarden in het bijhorende Comfort E montage- en overdrachtsprotocol.
7. Aansluitend kan de voor de vloerbedekking geschikte egalisatiemassa worden gebruikt conform de instructies en richtlijnen van de fabrikant, waarna de vloerbedekking kan worden geplaatst.
8. Na het plaatsen van de vloerbedekking volgt de afsluitende controlemeting van de isolatie- en verwarmingsmatweerstand. Noteer de gemeten waarden in het bijhorende Comfort E montage- en overdrachtsprotocol. De Uponor-aansprakelijkheidsverklaring kan enkel worden afgegeven wanneer de uitvoering van alle controlemetingen in het Comfort E montage- en overdrachtsprotocol wordt geprotocolleerd en dit de aanvraag van de aansprakelijkheidsverklaring wordt voorgelegd.
9. Sluit de aansluitkabel van de verwarmingsmat evenals de vloertemperatuur-/ afstandsensor aan op de ruimtethermostaat en sluit deze aan op 230 V netstroom. Respecteer de bijhorende montage- en bedieningshandleiding van de ruimtethermostaat.



Opgelet! Gevaar voor elektrische schok!

De Uponor Comfort E elektrische vloerverwarming werkt op een spanning van 230 V AC. Enkel gekwalificeerd vakpersoneel mag de installatie aansluiten op het elektriciteitsnet.

Inbedrijfstelling

Voer een werkingsproef uit indien u de elektrische ruimtethermostaat inschakelt en de gewenste settings aanbrengt.

Aansluitend kan het verwarmingssysteem worden overgedragen aan de bouwheer of de gebruiker. De overdracht omvat:

- het installatieplan, waarop het aantal en de positie van de afzonderlijke verwarmingsmatten (incl. het betreffende verwarmingsvermogen) en de plaats van de contactdozen, de vloertemperatuur-/ afstandsensor en de ruimtethermostaat zijn aangeduid,

- de montage- en bedieningshandleidingen evenals
- het Comfort E montage- en overdrachtsprotocol.

De documenten moeten zorgvuldig worden bewaard en zijn steeds beschikbaar om de positie van de afzonderlijke verwarmingsmatten later te kunnen reconstrueren.

Opgelet!

Waar de verwarmingsmatten worden geplaatst, mogen geen gaten (bijv. voor het bevestigen van deurstoppers) in de vloer worden gemaakt.

Uponor Comfort E montage- en overdrachtsprotocol*

Bouwobject / adres

Installateur voor montage en installatie

Productetiketten hier kleven

Productetiketten hier kleven

Vergelijk in onderstaande tabellen de genoteerde waarden met de voorinstelwaarden van de fabriek volgens de tabel "Ontwerpgegevens".

Weerstands- en isolatiemetingen		Voor het plaatsen van verwarmingsmatten		Na het plaatsen van verwarmingsmatten / voor het plaatsen van de vloerbedekking		Na het plaatsen van de vloerbedekking	
Ruimte nr. / Aanduiding	Artikelnr. van de verwarmingsmat	Weerstand verwarmingsmat ¹⁾ (Ω)	Isolatiweerstand ²⁾ (MΩ)	Weerstand verwarmingsmat ¹⁾ (Ω)	Isolatiweerstand ²⁾ (MΩ)	Weerstand verwarmingsmat ¹⁾ (Ω)	Isolatiweerstand ²⁾ (MΩ)

¹⁾ Tolerantie -5 % tot +10 % ²⁾ minimale isolatiweerstand 4000 MΩ

NL

De Uponor Comfort E elektrische vloerverwarming werd overeenkomstig de handleidingen van de fabrikant deskundig geïnstalleerd, op 230 V netstroom aangesloten en met de volgende documentatie functioneel overgedragen:

- Installatie- en bedieningshandleidingen
- Installatiefoto's
- Installatietekeningen/installatieplan
- Uponor Comfort E montage- en overdrachtsprotocol

Plaats, datum

Handtekening aannemer / vakman netstroomaansluiting

Plaats, datum

Handtekening opdrachtgever / aannemer

* De Uponor-aansprakelijkheidsverklaring kan enkel worden afgegeven wanneer de uitvoering van alle controlemetingen in het Comfort E montage- en overdrachtsprotocol wordt geprotocolleerd en dit de aanvraag van de aansprakelijkheidsverklaring wordt voorgelegd.

Innhold

Viktig informasjon om tiltenkt bruk, sikkerhet og garanti	45	Installasjon og idriftsetting	47
Tiltenkt bruk	45	Installasjonsinstruksjoner	47
Uponors garanti	45	Trinnvise installasjonsinstruksjoner	48
Systembeskrivelse	46	Idriftsetting	48
Gulvkonstruksjon	46	Installasjons- og overleveringsprotokoll for Uponor Comfort E	49
Tekniske spesifikasjoner	46	Installasjonsbilder	74
Designdata	46		

Viktig informasjon om tiltenkt bruk, sikkerhet og garanti

Tiltenkt bruk

Uponor Comfort E er et elektrisk gulvvarmesystem som brukes til oppvarming av rom i lukkede bygg. Installasjonen utføres i henhold til tekniske regelverk og relevante forskrifter på egnet gulvunderlag som er godkjent av den respektive produsenten. Bruk som faller utenfor godkjent anvendelsesområde, fører til at produksjonsgarantien opphører.

Uponors garanti for Comfort E-kabelmatte

Vær på den sikre siden med Uponors garanti:

Benytt muligheten til å sikre deg opptil ti års garanti på Uponor Comfort E-kabelmatter.

For å være berettiget til Uponors garanti må du bekrefte at alle Uponor-produkter er installert av godkjent installatør, i henhold til relevante installasjonsinstruksjoner og i samsvar med gjeldende lover, forskrifter og tekniske regelverk.

Den enkle veien til Uponors garanti:

1. Du er godkjent installatør og har installert Uponor-systemet som Uponors garanti skal utstedes for.
2. Produktet er installert i løpet av de tre siste månedene.
3. Be om registreringsskjemaet for Uponors garanti, og fyll det ut med all nødvendig informasjon. Fyll også ut Installasjons- og overleveringsprotokollen for Uponor Comfort E, inkludert firmaets stempel og underskrift. Send dokumentet på e-post (warranty.comfort-e@uponor.com) til Uponor.
4. Du mottar Uponors garanti i løpet av fem arbeidsdager.

Hvis Uponor-produkter installeres og brukes sammen med tredjepartsprodukter i en installasjon, utstedes det ingen Uponor-garanti eller garantien vil opphøre.

Viktige sikkerhetsinstruksjoner for installasjon

- Kabelmattene kan kun brukes i kombinasjon med en romtermostat med en tilkoblet gulvtemperaturføler.
- Kabelmattene skal kun kobles til 230 V nettspenning via egnet uttak. Det må være installert jordfeilautomat med utløserstrøm på 30 mA.
- Kabelmattene skal legges med en avstand på minst 60 mm til andre ledende elementer i bygget, for eksempel vannrør.
- Kabelmattene må ikke legges under møbler og sanitærutstyr som står direkte på gulvet og ikke har bein. Det kan føre til overoppheting under bruk.
- Koblingsstykket mellom varm og kald leder må ikke utsettes for belastning.
- Varmekablene må ikke føres gjennom ekspansjonsforinger eller gjennom eller bak isolasjon og isolasjonsmateriale.
- Varmekablene har en minste bøyeradius på 30 mm som ikke må overskrides.
- Varmekablene må ikke vris eller skades på annen måte under installasjon. Varmekablene må ikke krysse hverandre.
- Hvis det installeres flere kabelmatter i et rom, skal de kun parallellkobles til nettspenningen. Mattene må aldri seriekobles.
- Minimumstemperaturen for installasjon er 5 °C.



Merk! Fare for elektrisk støt!

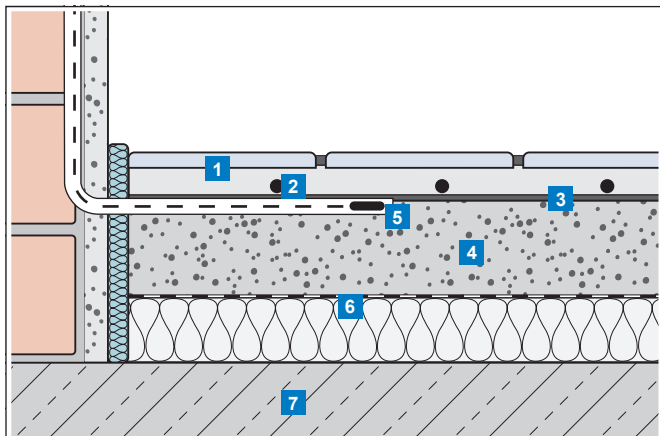
Uponor Comfort E elektriske gulvvarmesystem har driftsspenning på 230 V AC. Tilkoblinger til nettspenning skal kun utføres av kvalifisert personell.

Uponor forbeholder seg retten til å utføre endringer, uten forvarsel, i spesifikasjonene for komponentene i tråd med vår målsetning om kontinuerlig forbedring og utvikling.

NO

Systembeskrivelse

Gulvkonstruksjon (eksempel)



- 1 Fliselim med fliser
- 2 Uponor Comfort E kabelmatte
- 3 Valgfritt: primer, fyllstoff
- 4 Avrettingslag
- 5 Gulvføler i kabelrør
- 6 Isoleringssjikt med isoleringssjiktdekke
- 7 Bærende underlag (f.eks. betong)

Tekniske spesifikasjoner

Tekniske spesifikasjoner for Uponor Comfort E-kabelmatte	
Nominell spenning	230 V, AC
Nominell kapasitet	160 W/m ²
Automatsikring ¹⁾ med C-karakteristikk	Maks. 16 A
Minste bøyradius	30 mm
Minste installasjonsavstand	60 mm
Maks. driftstemperatur	+90 °C
Laveste installasjonstemperatur	+5 °C
Tverrsnitt på tilkoblingskabel	3 x 0,75 mm ²
Lengde på tilkoblingskabel	4,0 m
Godkjenninger	VDE, CE

¹⁾ Når flere varmematier kobles til samme sikring, er samlet tilkoblingsstrøm for matiene begrenset til 16 A.

Viktig!

Uponor termostat T-87IF har bryter med 10 A. Matier og kabler kan kombineres så lenge samlet last ikke overskrider denne verdien.

Designdata

Type kabelmatte	Installasjonsområde (m ²)	Varmefoliens lengde (m)	Varmefoliens kapasitet (W)	Varmefoliens motstand ¹⁾ (Ω)
UPONOR COMFORT E-KABELMATTE 160-1	1	2	160	329
UPONOR COMFORT E-KABELMATTE 160-1,5	1,5	3	240	224
UPONOR COMFORT E-KABELMATTE 160-2	2	4	320	171
UPONOR COMFORT E-KABELMATTE 160-2,5	2,5	5	400	132
UPONOR COMFORT E-KABELMATTE 160-3	3	6	480	107
UPONOR COMFORT E-KABELMATTE 160-4	4	8	640	85
UPONOR COMFORT E-KABELMATTE 160-5	5	10	800	69
UPONOR COMFORT E-KABELMATTE 160-6	6	12	960	55
UPONOR COMFORT E-KABELMATTE 160-7	7	14	1120	48
UPONOR COMFORT E-KABELMATTE 160-8	8	16	1280	42
UPONOR COMFORT E-KABELMATTE 160-10	10	20	1600	33
UPONOR COMFORT E-KABELMATTE 160-12	12	24	1920	28

¹⁾ Toleranse -5 til +10 %

Installasjon og idriftsetting

Installasjonsinstruksjoner

Generell informasjon

Varmekablene kan ikke forkortes. De skal ikke krysses eller berøre hverandre eller andre kabler. Varmekablene må ikke legges over bevegesfuger. Tilkoblingskabelen kan legges i kabelrør over bevegesfuger. Varmekabler skal ikke installeres under gulvmontert sanitærutstyr, som badekar,toaletter eller dusjkabinett. Varmekablene må heller ikke legges under møbler uten bein, for eksempel garderobeskap. Det kan føre til overoppheting på grunn av manglende luftsirkulasjon.

Planleggingsinformasjon

Underlaget må være egnet for legging av varmekabler. Kontroller at underlaget er jevnt og solid nok. Utfør nødvendig tiltak for å sikre at underlaget er klargjort for installasjon av Comfort E-systemet. Sett deg inn i alle relevante standarder og retningslinjer for gulvkonstruksjonen før varmekablene legges. Dersom det ikke tas hensyn til gjeldende standarder og retningslinjer og installasjonen ikke utføres av fagfolk, vil garantien opphøre. I planleggingsfasen legger du inn plasseringen av varmefolien, gulvtemperaturføleren og romtermostaten i konstruksjonstegningen. Ta hensyn til eksisterende og fremtidig møblering, for eksempel gulvmontert sanitærutstyr eller garderobeskap.



Viktig!

Varmefolien kan ikke forkortes og må derfor bestilles etter målene for det aktuelle rommet.

Klargjøring av underlag

Gulvvarmesystemet Uponor Comfort E-kabelmatten kan legges på jevne, solide og varmebestandige overflater. Gulvet må være isolert for å minimere varmetapet gjennom gulvet. Underlaget må rengjøres før legging. Bruk eventuelt en egnet avrettingsmasse eller andre tiltak for å sikre at gulvet er plant og at varmesystemet kan festes til underlaget. Det er ikke tillatt å legge kabelmattene direkte på sponplater eller tregulv uten et ubrennbart sjikt. Følg instruksjonene fra produsenten av det aktuelle ubrennbare underlaget.

Installere romtermostat og gulvtemperaturføler

Til installasjon av romtermostaten brukes en standard innfelt veggboкс med 230 V strømtilførsel. Fra veggboксen føres to kabelrør i veggen ned til gulvet – et rør til tilkoblingskabelen og et rør til gulvvarmeføleren. Kabelrøret for gulvtemperaturføleren installeres nedfelt og i flukt med gulvflaten. Tilkoblingskabelen for kabelmatten og kabelen for gulvtemperaturføleren skal ikke legges i samme kabelrør. Hvis flere kabelmatten skal parallellkobles til romtermostaten, installeres det en innfelt koblingsboкс. Det må videre installeres en jordfeilautomat (30 mA). Følg gjeldende instruksjoner for romtermostaten.

Gulvdekke

Forsikre deg om at produsenten av gulvet har godkjent det for bruk med elektriske gulvvarmesystemer. Sørg også for at alle spesifikasjoner fra produsenten overholdes. Det må ikke lages hull i gulvet (for eksempel til dørstopper) i områdene dekket av varmefolien. Områder med elektrisk gulvvarme må ikke dekkes av varmeisolerende materialer som tykke tepper. Det kan føre til varmeakkumulering eller overoppheting.

NO

Trinnvise installasjonsinstruksjoner

1. Kontroller at mottatte produkter stemmer med bestillingen.
2. Kontroller de mottatte kabelmattene ved å måle isolasjonsmotstanden med en isolasjonstester og kabelmattmotstanden med et ohmmeter. Skriv inn de målte verdiene i medfølgende installasjons- og overleveringsprotokoll for Uponor Comfort E. Sammenlign verdiene med standardverdiene fra fabrikk.
3. Installer kabelrørene, veggboxen og om nødvendig koblingsboksen i veggen. Underlaget må kanskje slisses eller støpes slik at det er mulig å plassere kabelrøret og gulvtemperaturføleren i flukt med underlaget midt mellom to varmekabler. Før gulvvarmeføleren og kablen inn i kabelrøret.
4. Rull ut Comfort E-kabelmattene i samsvar med leggeplanen. Fjern gradvis beskyttelsesfilmen fra den selvheftende flaten, og trykk kabelmattene mot underlaget. Når du skal endre leggeretningen, klipper du nettingen med en saks. Pass på at du ikke klipper eller skader selve varmekabelen. Varmekablene må ikke krysses eller føres over bevegelsesfuger.
5. Plasser varmemfolien slik at gulvtemperaturføleren er plassert midt mellom to varmekabler. Før kaldlederen gjennom kabelrøret til den innfelte veggboxen eller den innfelte koblingsboksen, og merk kabelendene for den respektive matten.
6. Fjern isolasjonen fra kabelendene, og mål isolasjonsmotstanden og varmemfoliemotstanden en gang til. Skriv inn de målte verdiene i medfølgende installasjons- og overleveringsprotokoll for Uponor Comfort E.
7. Deretter installeres egnet avrettingsmateriale for gulvdekket i samsvar med kravene og spesifikasjonene fra den respektive produsenten. Deretter legges ønsket gulvmateriale.
8. Når gulvleggingen er fullført, utføres en siste kontroll av isolasjonen og motstanden for varmemfolien. Skriv inn de målte verdiene i medfølgende installasjons- og overleveringsprotokoll for Uponor Comfort E. For å få Uponors produktgaranti må alle målinger dokumenteres i installasjons- og overleveringsprotokollen for Uponor Comfort E. Dette dokumentet må legges ved garantiforespørselen.
9. Koble tilkoblingskabelen for varmemfolien og gulvtemperaturføleren til romtermostaten og koble til 230 V nettspenning. Følg instruksjonene for installasjon og bruk av romtermostaten.



Merk! Fare for elektrisk støt!

Uponor Comfort E elektriske gulvvarmesystem har driftsspenning på 230 V AC. Tilkoblinger til nettspenning er utført av kvalifisert fagperson.

NO

Idriftsetting

Utfør en funksjonstest ved å slå på den elektriske romtermostaten, og angi ønskede innstillinger.

Gulvvarmesystemet kan deretter overleveres til kunden eller brukeren. Overleveringen omfatter:

- Installasjonsplanen som viser antall og plassering av kabelmattene (inkludert kabelmattenes kapasitet) samt plasseringen av koblingsbokser, gulvtemperaturføler og romtermostat.

- Monterings- og betjeningsinstruksjoner.
- Installasjons- og overleveringsprotokollen for Uponor Comfort E.

Dokumentet må oppbevares lett tilgjengelig på et trygt sted, slik at du senere enkelt kan sjekke plasseringen av kabelmattene.

Merk!

Det må ikke lages hull i gulvet (for eksempel til dørstopper) i områdene dekket av varmemfolien.

Installasjons- og overleveringsprotokoll for Uponor Comfort E*

Byggprosjekt / adresse

Installatør for installasjon og
tilkobling til 230 V nettspenning

Fest produktetiketter her

Fest produktetiketter her

Sammenligne verdiene som er oppgitt i tabellen nedenfor, med standardverdiene fra fabrikken i tabellen Designdata.

Motstand- og isolasjonsmålinger		Før legging av varmemefolie		Etter legging av varmemefolie / før legging av gulv		Etter legging av gulv	
Romnr. / beskrivelse	Antall kabelmatter	Varmefoliens motstand ¹⁾ (Ω)	Isolasjonsmotstand ²⁾ (MΩ)	Varmefoliens motstand ¹⁾ (Ω)	Isolasjonsmotstand ²⁾ (MΩ)	Varmefoliens motstand ¹⁾ (Ω)	Isolasjonsmotstand ²⁾ (MΩ)

¹⁾ Toleranse -5 til +10 % ²⁾ Minimum isolasjonsmotstand 10 MΩ

NO

Det elektriske gulvvarmesystemet Uponor Comfort E er installert av kvalifisert fagperson og i henhold til produsentens instruksjoner, koblet til 230 V nettspenning og overlevert i fullt fungerende stand med følgende dokumenter:

- Installasjons- og bruksanvisning
 Installasjonsplan/tegning

- Installasjonsbilder
 Installasjons- og overleveringsprotokoll for Uponor Comfort E

Sted, dato

Underskrift leverandør / godkjent elektroinstallatør

Sted, dato

Underskrift kunde / byggeier

* For å få Uponors produktgaranti må alle målinger dokumenteres i installasjons- og overleveringsprotokollen for Uponor Comfort E. Dette dokumentet må legges ved garantiforespørselen.

Spis treści

Informacje o produkcie dotyczące rozporządzenia Komisji (UE) 2015/1188	50	Instalacja i eksploatacja	53
Ważne uwagi na temat przeznaczenia produktu, bezpieczeństwa i gwarancji	51	Instrukcja instalacji	53
Przeznaczenie produktu	51	Instalacja krok po kroku	54
Deklaracja gwarancji Uponor	51	Eksploatacja	54
		Protokół instalacji i odbioru systemu Uponor Comfort E	55
Opis systemu	52	Rysunki instalacji	74
Konstrukcja podłogi	52		
Specyfikacja techniczna	52		
Dane projektowe	52		

Informacje o produkcie dotyczące rozporządzenia Komisji (UE) 2015/1188

Wymogi w zakresie informacji dotyczące elektrycznych miejscowych ogrzewaczy pomieszczeń

Identyfikator(-y) modelu:	Uponor Comfort E Cable Mat 160 & Uponor Comfort E termostat dig.prog. Flush Set T-87IF 1088668 - 1088679								
Parametr	Oznaczenie	Wartość			Parametr	T-87IF ¹⁾	T-86	T-85	
Moc cieplna						Sposób doprowadzania ciepła wyłącznie w przypadku elektrycznych akumulacyjnych miejscowych ogrzewaczy pomieszczeń (należy wybrać jedną opcję)			
Nominalna moc cieplna	P _{nom}	0,16 - 1,92 ²⁾			kW	ręczny regulator doprowadzania ciepła z wbudowanym termostatem	nie	nie	nie
Minimalna moc cieplna (orientacyjna)	P _{min}	N.A.			kW	ręczny regulator doprowadzania ciepła z pomiarem temperatury w pomieszczeniu lub na zewnątrz	nie	nie	nie
Maksymalna stała moc cieplna	P _{max,c}	0,16 - 1,92 ²⁾			kW	elektroniczny regulator doprowadzania ciepła z pomiarem temperatury w pomieszczeniu lub na zewnątrz	nie	nie	nie
Zużycie energii elektrycznej na potrzeby własne						moc cieplna regulowana wentylatorem			
		T-87IF	T-86	T-85		nie	nie	nie	
Przy nominalnej mocy cieplnej	eI _{max}	< 0,001	< 0,001	< 0,001	kW	Rodzaj mocy cieplnej/regulacja temperatury w pomieszczeniu (należy wybrać jedną opcję)			
Przy minimalnej mocy cieplnej	eI _{min}	< 0,001	< 0,001	< 0,001	kW	jednostopniowa moc cieplna bez regulacji temperatury w pomieszczeniu	nie	nie	nie
W trybie czuwania	eI _{SB}	< 0,001	< 0,001	< 0,001	kW	co najmniej dwa ręczne stopnie bez regulacji temperatury w pomieszczeniu	nie	nie	nie
						mechaniczna regulacja temperatury w pomieszczeniu za pomocą termostatu	nie	nie	nie
						elektroniczna regulacja temperatury w pomieszczeniu	nie	nie	nie
						elektroniczna regulacja temperatury w pomieszczeniu ze sterownikiem dobowym	nie	nie	nie
						elektroniczna regulacja temperatury w pomieszczeniu ze sterownikiem tygodniowym	tak	tak	tak ³⁾
Inne opcje regulacji (można wybrać kilka)						regulacja temperatury w pomieszczeniu z wykrywaniem obecności			
						regulacja temperatury w pomieszczeniu z wykrywaniem otwartego okna	nie	nie	tak ⁴⁾
						z regulacją na odległość	nie	nie	nie
						z adaptacyjną regulacją startu	tak	tak	nie
						z ograniczeniem czasu pracy	tak	nie	tak
						z czujnikiem ciepła promieniowania	nie	nie	nie

¹⁾ Część Comfort E mata kablowa zestaw

²⁾ 160, 240 W (1; 1,5 qm) nie na mocy niniejszego rozporządzenia

³⁾ z zewnętrznym tygodniowym programatorem podłączonym z termostatem pokojowym

⁴⁾ z zewnętrznym czujnikiem otwartego okna

Uponor GmbH - Industriestr. 56 - 97437 Hassfurt - www.uponor.com

Zgodność z UE 2015/1188 poprzez zdefiniowany regulator temperatury z opisaną funkcjonalnością

Ważne uwagi na temat przeznaczenia produktu, bezpieczeństwa i gwarancji

Przeznaczenie produktu

Uponor Comfort E to system elektrycznego ogrzewania podłogowego, który jest wykorzystywany w zamkniętych budynkach do równoważenia temperatury w pomieszczeniach lub do ich ogrzania. Instalacja jest przeprowadzana zgodnie z zasadami technicznymi i obowiązującymi wytycznymi i na właściwym podłożu znajdującym się pod podłogą, które zostało zatwierdzone przed odpowiedniego producenta. Każda inna forma użytkowania jest niezgodna z przeznaczeniem i prowadzi do wygaśnięcia gwarancji producenta.

Deklaracja gwarancji Uponor dla maty Comfort E Cable Mat

Zachowaj bezpieczeństwo – jak uzyskać Deklarację gwarancji Uponor:

Skorzystaj z możliwości uzyskania dla swojego projektu budowlanego nawet 10-letniej gwarancji na wykorzystane w nim maty grzejne Uponor Comfort E.

Deklaracja gwarancji Uponor jest wydawana na podstawie dokumentu potwierdzającego, że wszystkie produkty Uponor zostały zamontowane przez specjalistę zgodnie z odpowiednimi instrukcjami instalacji, obowiązującym prawem i przepisami oraz ustalonymi zasadami technicznymi.

Najprostsza droga do uzyskania Deklaracji gwarancji Uponor:

1. Jesteś specjalistą w dziedzinie montażu i dokonałeś instalacji właściwego systemu Uponor, dla którego zostanie wydana Deklaracja gwarancji Uponor.
2. Produkty zostały zainstalowane nie więcej niż 3 miesiące temu.
3. Poproś o udostępnienie formularza rejestracyjnego dotyczącego „Deklaracji gwarancji Uponor” i uzupełnij wszystkie pola, a także wypełnij „Protokół instalacji i odbioru systemu Uponor Comfort E” załączony do niniejszej Instrukcji instalacji, uwzględniając pieczętkę firmy oraz podpis. Prześlij dokumenty za pośrednictwem wiadomości e-mail (warranty.comfort-e@uponor.com) do firmy Uponor.
4. W ciągu kilku dni roboczych otrzymasz oryginalną Deklarację gwarancji Uponor.

Jeśli produkty Uponor zostały zamontowane lub wymieszane z produktami stron trzecich w ramach pojedynczej instalacji, Deklaracja gwarancji Uponor nie może zostać wydana lub traci swoją ważność.

Ważne zasady bezpieczeństwa podczas instalacji

- Maty grzejne mogą być użytkowane wyłącznie w połączeniu ze sterownikiem temperatury pomieszczenia wraz z podłączonym do niego sterownikiem temperatury podłogi.
- Maty grzejne mogą zostać podłączone do napięcia sieciowego 230 V wyłącznie za pośrednictwem gniazda przyłączeniowego. Należy zainstalować wyłącznik różnicowoprądowy o wartości prądu wyłączenia wynoszącej 30 mA.
- Podczas układania maty grzejnej należy zachować odległość co najmniej 60 mm od elementów przewodzących znajdujących się w budynku (na przykład rur wodociągowych).
- Mat grzejnych nie należy układać pod meblami lub sanitariatami stojącymi bezpośrednio na podłodze i niepodpartymi nóżkami, aby uniknąć przegrzania systemu podczas użytkowania.
- Tuleje łączące, które zabezpieczają kabel grzejny nie mogą być poddawane naprężeniom.
- Przewody grzewcze nie mogą być poprowadzone przez przerwy dylatacyjne, ani przez izolację czy materiał izolacyjny lub tuż za nimi.
- W przypadku przewodów grzewczych nie należy przekraczać wartości minimalnego promienia gięcia wynoszącej 30 mm.
- Przewody grzewcze nie mogą zostać zagięte lub w inny sposób uszkodzone podczas instalacji. Nie wolno krzyżować przewodów grzewczych.
- Jeśli w jednym pomieszczeniu ma zostać zainstalowanych kilka mat grzejnych, mogą być one podłączone do napięcia sieciowego wyłącznie w ustawieniu równoległym. Nigdy nie należy podłączać ich szeregowo!
- Maty należy układać przy temperaturze otoczenia co najmniej 5°C.



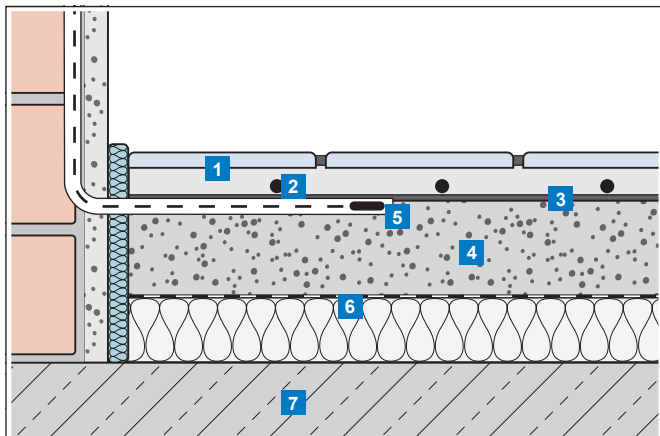
Uwaga! Ryzyko porażenia prądem!

Elektryczne ogrzewanie podłogowe Uponor Comfort E jest zasilane prądem przemiennym o napięciu 230 V. Podłączenie do sieci zasilania może wykonać wyłącznie wykwalifikowany specjalista.

Zgodnie z polityką ciągłego doskonalenia i rozwoju firma Uponor zastrzega sobie prawo do wprowadzania zmian w specyfikacjach podzespołów bez uprzedzenia.

Opis systemu

Konstrukcja podłogi (przykład)



- 1 Kleje do płytek wraz z płytkami
- 2 Maty grzejne Uponor Comfort E
- 3 Opcjonalnie: podkład, szpachlówka
- 4 Wylewka
- 5 Czujnik podłogowy w rurce ochronnej
- 6 Warstwa izolacyjna z pokryciem warstwy izolacyjnej
- 7 Warstwa nośna podłoża (np. beton)

Specyfikacje techniczne

Napięcie nominalne	230 V, AC
Moc znamionowa	160 W/m ²
Wyłącznik automatyczny ¹⁾ o charakterystyce wyłączeniowej C	Max. 16 A
Min. promień gięcia	30 mm
Min. odległość instalacji	60 mm
Max. temperatura robocza	+90°C
Min. temperatura instalacji	+5°C
Przekrój poprzeczny przewodnika zastosowanego w przewodzie połączeniowym	3 x 0,75 mm ²
Długość przewodu połączeniowego	4,0 m
Aprobata	VDE, CE

¹⁾ Jeśli do jednej skrzynki bezpieczników podłączono kilka mat grzejnych, całkowite natężenie prądu podłączonego do mat jest ograniczone do maksymalnie 16 A.

Ważna uwaga!

Termostat Uponor T-87IF pracuje przy natężeniu do 10 A. Można podłączyć dowolną konfigurację mat lub przewodów pod warunkiem, że całkowite obciążenie sieci nie przekroczy tej wartości.

Dane projektowe

MATA UPONOR COMFORT E CABLE MAT 160-1	1	2	160	329
MATA UPONOR COMFORT E CABLE MAT 160-1,5	1,5	3	240	224
MATA UPONOR COMFORT E CABLE MAT 160-2	2	4	320	171
MATA UPONOR COMFORT E CABLE MAT 160-2,5	2,5	5	400	132
MATA UPONOR COMFORT E CABLE MAT 160-3	3	6	480	107
MATA UPONOR COMFORT E CABLE MAT 160-4	4	8	640	85
MATA UPONOR COMFORT E CABLE MAT 160-5	5	10	800	69
MATA UPONOR COMFORT E CABLE MAT 160-6	6	12	960	55
MATA UPONOR COMFORT E CABLE MAT 160-7	7	14	1120	48
MATA UPONOR COMFORT E CABLE MAT 160-8	8	16	1280	42
MATA UPONOR COMFORT E CABLE MAT 160-10	10	20	1600	33
MATA UPONOR COMFORT E CABLE MAT 160-12	12	24	1920	28

¹⁾ Tolerancja od -5% do +10%

Instalacja i eksploatacja

Instrukcja instalacji

Informacje ogólne

Przewody grzewcze nie mogą zostać skrócone, krzyżować się z przewodami grzewczymi lub innymi, ani też ich dotykać. Nie wolno układać przewodów grzewczych na dylatacjach. Aby przewód połączeniowy mógł zostać poprowadzony w poprzek dylatacji, należy go przeciągnąć przez rurkę ochronną. Nie wolno instalować przewodów grzewczych pod sanitariatami stawianymi na podłodze takimi jak wanny, toalety lub prysznice. Podobnie nie zezwala się na układanie takich przewodów pod meblami niepodpartymi nóżkami, takimi jak szafy, ze względu na brak wystarczającej cyrkulacji powietrza, która umożliwiłaby rozproszenie ciepła.

Uwagi dotyczące planowania

Podłóże musi nadawać się do układania mat. W szczególności należy sprawdzić płaskość i wytrzymałość powierzchni. Jeśli to konieczne, podglebie musi zostać wyrównane lub w inny sposób przygotowane pod instalację systemu Comfort E. Przed rozpoczęciem układania mat należy zapoznać się z odpowiednimi standardami i wytycznymi dotyczącymi konstrukcji podłogi oraz stosować się do nich. W przypadku nie brania ich pod uwagę oraz nieprofesjonalnego planowania i przeprowadzenia instalacji prawo do roszczeń gwarancyjnych ulega wygaśnięciu. Podczas planowania należy nanieść rozmieszczenie mat grzejnych, czujnika temperatury podłogi oraz sterownika temperatury pomieszczenia na rysunku konstrukcyjnym. Należy wziąć pod uwagę rozmieszczenie istniejącego i planowanego na przyszłość wyposażenia, takiego jak sanitariaty lub szafy stojące na podłodze itp.



Ważna uwaga!

Mat grzejnych nie wolno skracać i z tego względu należy je rozmieścić zgodnie z geometrią pomieszczenia.

Przygotowanie podłoża

System ogrzewania podłogowego Uponor Comfort E Cable Mat może być układany na całkowicie płaskich, stabilnych i odpornych na ciepło powierzchniach. Izolacja termiczna w podłożu jest niezbędna, aby zminimalizować straty ciepła. Podłóże musi najpierw zostać oczyszczone. W razie konieczności użyj odpowiedniego czynnika samopoziomującego lub innych środków, aby zapewnić konieczną płaskość podłoża oraz przyleganie na potrzeby systemu grzewczego. Nie wolno układać mat bezpośrednio na płycie wiórowej lub drewnianej podłodze bez dodatkowych mat oddzielających. Należy stosować się do instrukcji wydanych przez producenta pokrycia podłogi.

Instalacja termostatu pokojowego i czujnika temperatury podłogi

Aby zainstalować czujnik temperatury pomieszczenia, w wybranej lokalizacji musi znajdować się zamontowane podtynkowo gniazdo prądu przemiennego 230 V, jakie można nabyć w sklepie. Zaczynając od tego miejsca, należy wpasować w ścianę dwie rurki ochronne pozwalające na podłączenie przewodu połączeniowego i czujnika temperatury podłogi oraz poprowadzić je aż do podłoża. Rurka ochronna przeznaczona dla czujnika temperatury podłogi musi również zostać wpuszczona w podłogę w taki sposób, aby powierzchnia znalazła się bezpośrednio nad czujnikiem. Przewód połączeniowy maty grzejnej i przewód czujnika temperatury podłogi nie mogą zostać zainstalowane w tej samej rurce ochronnej! Jeśli do czujnika temperatury pomieszczenia ma zostać podłączonych kilka mat grzejnych w ustawieniu równoległym, należy zainstalować podtynkowo puszkę połączeniową. W charakterze bezpiecznika należy zainstalować wyłącznik różnicowoprądowy (30 mA). Należy postępować zgodnie z osobną instrukcją dotyczącą sterownika temperatury pomieszczenia.

Pokrycia podłóg

To, czy pokrycie podłogi można stosować wraz z systemami elektrycznego ogrzewania podłogowego, musi zostać potwierdzone u producenta. Ponadto należy postępować zgodnie ze wszelkimi wytycznymi otrzymanymi od producenta. W obszarze, w którym zainstalowano maty grzejne nie wolno robić otworów w podłodze (np. w celu zamontowania odbojników do drzwi). W obszarze wykorzystania elektrycznego ogrzewania podłogowego nie można układać pokrycia o właściwościach termoizolacyjnych, takiego jak grube dywany, ze względu na to, że przyczynia się ono do przegrzania systemu lub akumulacji ciepła w podłożu.

Instalacja krok po kroku

1. Porównaj dostarczone materiały ze swoim zamówieniem
2. Zmierz wartość oporu izolacji za pomocą miernika rezystancji izolacji oraz wartość oporu maty grzejnej za pomocą omomierza w celu sprawdzenia dostarczonych mat grzejnych, a następnie wprowadź odczytane wartości do załączonego Protokołu instalacji i odbioru systemu Uponor Comfort E. Porównaj wartości z wartościami fabrycznymi.
3. Zainstaluj rurki ochronne, skrzynkę rozdzielczą UP oraz, w razie konieczności, puszkę połączeniową UP w ścianie. Aby można było zagłębić w podłodze rurkę ochronną czujnika temperatury podłogi i sam czujnik temperatury podłogi centralnie pod dwoma przewodami grzewczymi, być może należy rozciąć lub wyłobić podłogę. Włóż czujnik temperatury podłogi i przewód do rurki ochronnej czujnika.
4. Rozwiń maty grzejne Comfort E zgodnie z planem ich ułożenia. Krok po kroku zdejmij folię ochronną z powierzchni samoprzylepnej i dociśnij maty grzejne do podłoża. Aby zmienić kierunek, przetnij materiał podkładowy maty grzejnej za pomocą nożyczek. Nie dopuść do tego, by przewód grzewczy został przecięty lub uszkodzony. Przewody grzewcze nie mogą przebiegać przez dylatacje lub ponad nimi.
5. Ułóż maty grzejne tak, aby czujnik temperatury podłogi znajdował się centralnie pod dwoma przewodami grzewczymi. Przeciągnij przewód ciepła przez rurkę ochronną i włóż go do zamontowanej podtynkowo skrzynki rozdzielczej lub puszki połączeniowej i zaznacz końcówki przewodów danej maty grzejnej.
6. Zdejmij izolację z końcówek przewodów i jeszcze raz zmierz wartość oporu izolacji oraz oporu mat grzejnych. Wprowadź odczytane wartości do załączonego Protokołu instalacji i odbioru systemu Uponor Comfort E.
7. Następnie możesz użyć kleju samopoziomującego właściwego dla pokrycia podłogi zgodnie z wymaganiami i specyfikacją podaną przez odpowiedniego producenta. Potem można układać pokrycie podłogi.
8. Po ułożeniu pokrycia podłogi należy przeprowadzić ostateczną kontrolę izolacji maty grzejnej oraz oporu maty grzejnej. Wprowadź odczytane wartości do załączonego Protokołu instalacji i odbioru systemu Uponor Comfort E. Aby uzyskać gwarancję na produkty Uponor, należy udokumentować wszystkie pomiary w Protokole instalacji i odbioru systemu Uponor Comfort E. Protokół musi zostać dołączony do żądania wystawienia gwarancji.
9. Podłącz przewód zasilający maty grzejne oraz czujnik temperatury podłogi do sterownika temperatury pomieszczenia, a następnie przyłącz go do źródła prądu 230 V. Postępuj zgodnie z dodatkową instrukcją instalacji i użytkowania sterownika temperatury pomieszczenia.



Uwaga! Ryzyko porażenia prądem!

Elektryczne ogrzewanie podłogowe Uponor Comfort E jest zasilane prądem przemiennym o napięciu 230 V. Podłączenie do sieci zasilania może wykonać wyłącznie wykwalifikowany specjalista.

PL

Eksploatacja

Przeprowadź test funkcjonalny poprzez włączenie elektrycznego sterownika temperatury pomieszczenia i wybór pożądaných ustawień.

Po tym przekazać wydać system grzewczy klientowi lub użytkownikowi. Przekazanie systemu obejmuje:

- plan instalacji, na którym naniesiono liczbę i rozmieszczenie pojedynczych mat grzejnych (uwzględniając odpowiednio wydajności cieplne) oraz lokalizację puszek połączeniowych, czujnika temperatury podłogi oraz sterownika temperatury pomieszczenia,

- instrukcje dotyczące montażu i użytkowania, a także
- protokół instalacji i odbioru systemu Uponor Comfort E.

Dokumenty muszą być przechowywane w bezpiecznym miejscu oraz dostępne w każdej chwili, aby można było odtworzyć położenie pojedynczych mat grzejnych.

Uwaga!

W obszarze, w którym zainstalowano maty grzejne nie wolno robić otworów w podłodze (np. w celu zamontowania odbojników do drzwi).

Protokół instalacji i odbioru systemu Uponor Comfort E*

Projekt budowlany/adres _____

Specjalista przeprowadzający instalację
oraz podłączenie do sieci napięcia 230 V _____

Tu przyklej etykiety produktów

Tu przyklej etykiety produktów

Porównaj wartości wpisane do poniższej tabeli z wartościami fabrycznymi z tabeli „Dane projektowe”

¹⁾ Tolerancja od -5% do +10% ²⁾ Minimalny opór izolacji 10 MΩ

Elektryczne ogrzewanie podłogowe Uponor Comfort E zostało profesjonalnie zainstalowane zgodnie z instrukcjami producenta, podłączone do sieci zasilania 230 V oraz wydane jako w pełni funkcjonalne wraz z następującymi dokumentami:

- Instrukcja instalacji i obsługi Zdjęcia instalacji
 Plan/rysunek instalacji Protokół instalacji i odbioru systemu Comfort E

Lokalizacja, data

Podpis wykonawcy/wykwalfikowanego instalatora systemów elektrycznych

Lokalizacja, data

Podpis klienta/właściciela budynku

* Aby uzyskać gwarancję na produkty Uponor, należy udokumentować wszystkie pomiary w Protokole instalacji i odbioru systemu Uponor Comfort E. Protokół musi zostać dołączony do żądania wystawienia gwarancji.

Содержание

Область применения, безопасность эксплуатации и гарантия	56	Монтаж и наладка	58
Область применения	56	Рекомендации по установке	58
Гарантийные обязательства Uponor	56	Этапы установки	59
Описание системы	57	Ввод в эксплуатацию	59
Конструкция пола	57	Протокол монтажа и передачи Uponor Comfort E.....	60
Технические характеристики.....	57	Фотографии установки.....	74
Исходные параметры	57		

Область применения, безопасность эксплуатации и гарантия

Область применения

Uponor Comfort E — система электрического напольного отопления для установки в закрытых помещениях. Установка должна осуществляться в соответствии с руководствами и нормативной документацией на подходящей подложке, одобренной производителем. Любое другое использование не является целевым и ведет к потере гарантии.

Гарантийные обязательства Uponor для матов Comfort E Cable Mat

Не рискуйте — получите гарантийное обязательство от Uponor следующим образом.

Воспользуйтесь возможностью получить гарантийное обязательство сроком на 10 лет на используемые при вашем строительстве нагревательные маты Uponor Comfort E cable.

Основой для оформления гарантийного обязательства Uponor является доказательство того, что все изделия Uponor были установлены согласно соответствующим инструкциям по установке, с соблюдением соответствующих законов, правил, признанных технических норм, а установка осуществлена специалистом.

Обезопасьте себя с гарантийным обязательством Uponor — это совсем просто:

1. Вы являетесь специализированным предприятием по установке и установили соответствующую систему, для которой должно быть выдано гарантийное обязательство.
2. С момента установки продуктов должно пройти не более 3 месяцев.
3. Попросите бланк «Регистрация для получения гарантийного обязательства» и заполните его, а также «Протокол установки и передачи Uponor Comfort E» данного руководства по сборке с фирменной печатью и подписью. Отправьте документы по электронной почте (warranty.comfort-e@uponor.com) в Uponor.
4. В течение нескольких рабочих дней вы получите оригинал гарантийного обязательства от Uponor.

Если продукты Uponor обрабатываются или смешиваются с продуктами сторонних производителей в рамках одной системы, гарантийное обязательство не может быть выдано или же теряет силу.

Важные инструкции по безопасности при укладке

- Нагревательные маты могут эксплуатироваться только в сочетании с комнатным термостатом с подключенным датчиком температуры пола Uponor.
- Нагревательные маты могут подключаться только к электросети с напряжением 230 В. Требуется установка дифференциального выключателя (УЗО) с током утечки 30 мА.
- При укладке нагревательных матов необходимо соблюдать расстояние не менее 60 мм от проводящих конструкций здания (например, водопроводных труб).
- Нагревательные маты нельзя укладывать под мебелью и другими предметами интерьера, которые находятся непосредственно на полу и не имеют ножек, чтобы избежать локального повышения температуры во время работы.
- Соединения проводников не должны осуществляться внахлест.
- Нагревательные кабели не должны проходить через компенсационные швы, а также через изоляцию и изоляционный материал или за ним.
- Для нагревательных кабелей радиус изгиба не должен быть менее 30 мм.
- Во время установки нагревательные кабели не должны перегибаться или повреждаться иным образом. Пересечение нагревательных кабелей запрещено.
- Если в помещении установлено несколько нагревательных матов, их необходимо подключать к электросети параллельно. Никогда не подключайте маты последовательно!
- Температура при укладке должна составлять не менее 5 °С.



Внимание! Опасность поражения электрическим током!

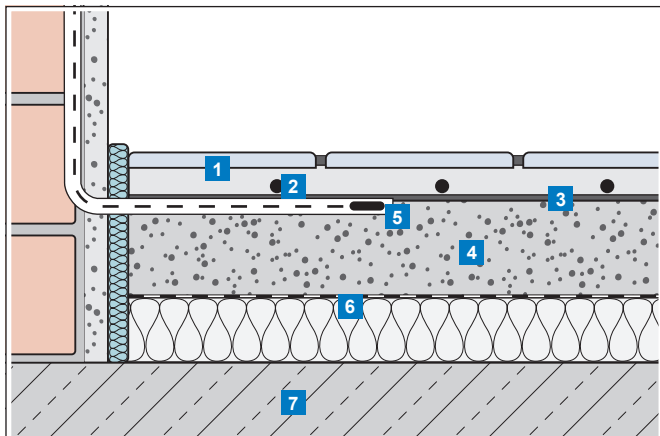
Электрический теплый пол Uponor Comfort E работает с напряжением 230 В переменного тока. Подключение к сети электропитания может выполняться только квалифицированным персоналом.

Uponor оставляет за собой право вносить изменения в спецификацию включенных компонентов без предварительного уведомления в соответствии со своей политикой постоянного совершенствования и развития.

RU

Описание системы

Конструкция пола (пример)



- 1 Плиточный клей с напольным покрытием (плитка)
- 2 Кабельные нагревательные маты Uponor Comfort E
- 3 Опционально: грунтовка, ровнитель для пола
- 4 Стяжка
- 5 Датчик температуры пола в защитной трубке
- 6 Изоляционный слой с защитным покрытием
- 7 Основание (например, бетон)



Технические характеристики

Технические характеристики кабеля Uponor Comfort E	
Номинальное напряжение	230 В перем. тока
Номинальная мощность	160 Вт/м ²
Автоматический выключатель ¹⁾ с характеристикой С	Макс. 16 А
Изоляционное сопротивление	4000 МОм
Мин. радиус изгиба	30 мм
Мин. расстояние установки	60 мм
Макс. рабочая температура	+90 °С
Мин. температура установки	+5 °С
Сечение проводника соединительного кабеля	3 x 0,75 мм ²
Длина соединительного кабеля	4,0 м
Сертификация	VDE, CE

¹⁾ При параллельном подключении нескольких нагревательных матов, общий максимальный ток матов не должен превышать 16 А.

Важно!

Рабочий ток регулятора температуры Uponor T-87IF составляет 10 А. К регулятору может быть подключено любое сочетание матов и/или кабелей при условии, что общая нагрузка не превысит данный порог.

Исходные параметры

Тип нагревательных матов	Площадь прокладки (м ²)	Длина нагревательных матов (м)	Мощность нагревательных матов (Вт)	Сопротивление матов ¹⁾ (Ом)
UPONOR COMFORT E CABLE MAT 160-1	1	2	160	329
UPONOR COMFORT E CABLE MAT 160-1,5	1,5	3	240	224
UPONOR COMFORT E CABLE MAT 160-2	2	4	320	171
UPONOR COMFORT E CABLE MAT 160-2,5	2,5	5	400	132
UPONOR COMFORT E CABLE MAT 160-3	3	6	480	107
UPONOR COMFORT E CABLE MAT 160-4	4	8	640	85
UPONOR COMFORT E CABLE MAT 160-5	5	10	800	69
UPONOR COMFORT E CABLE MAT 160-6	6	12	960	55
UPONOR COMFORT E CABLE MAT 160-7	7	14	1120	48
UPONOR COMFORT E CABLE MAT 160-8	8	16	1280	42
UPONOR COMFORT E CABLE MAT 160-10	10	20	1600	33
UPONOR COMFORT E CABLE MAT 160-12	12	24	1920	28

¹⁾ Отклонение –5 до +10 %

Монтаж и наладка

Рекомендации по установке

Общая информация

Запрещается укорачивать нагревательные кабели. Нагревательные кабели не должны пересекаться или касаться других кабелей. Запрещено прокладывать нагревательные кабели над деформационными швами. Нельзя укладывать нагревательные кабели под санитарными приборами такими как ванны, душевые кабины и унитазы. Также запрещается прокладка кабелей под мебелью, такой как напольные шкафы, и другими предметами интерьера без ножек, поскольку в данном случае отсутствует циркуляция воздуха, достаточная для рассеивания тепла.

Рекомендации по планировке

Для установки матов требуется подходящее основание. В частности, необходимо проверить ровность и прочность. При необходимости основание должно быть выровнено или иным образом подготовлено для установки систем Comfort E. Перед установкой необходимо изучить соответствующие стандарты и рекомендации по устройству полов. В случае несоблюдения инструкций, непрофессионального планирования и установки гарантия теряется. При планировании следует отмечать на чертежах положение нагревательных матов, датчика температуры пола и регулятора температуры в помещении. При этом необходимо учитывать расположение мебели и санитарных приборов.



Важно!

Нагревательные маты запрещено укорачивать, поэтому при заказе матов следует учитывать геометрию помещения.

Подготовка основания

Электрическая система напольного отопления Upronor Comfort E может быть установлена на всех плоских, твердых и термостойких поверхностях. Для минимизации теплопотерь вниз необходима установка теплоизоляции. Сначала необходимо очистить основание. При необходимости, выравнивание основания для системы отопления можно обеспечить с помощью подходящего самовыравнивающегося раствора или других мер. Непосредственная укладка на древесностружечные плиты или деревянные полы не допускается без дополнительных теплоизоляционных матов. Необходимо соблюдать инструкции, предоставленные производителем напольного покрытия.

Установка комнатного термостата и датчика температуры пола

Для установки регулятора комнатной температуры в выбранном месте должна быть предусмотрена монтажная коробка для скрытой установки с сетевым подключением 230 В переменного тока. От монтажной коробки до уровня пола в стену следует установить две трубки для холодных концов и датчика температуры пола. Трубка для датчика температуры пола должна продолжаться из стены заподлицо с поверхностью основания до места расположения датчика. Холодные концы и датчик температуры пола не должны устанавливаться в одной и той же трубке! Если к комнатному термостату должны быть параллельно подключены несколько нагревательных матов, для этого можно установить соединительную коробку скрытого монтажа. В целях защиты следует установить автоматический выключатель дифференциального тока (УЗО) 30 мА. Необходимо соблюдать инструкции для комнатного термостата.

Напольное покрытие

Пригодность напольных покрытий, используемых для электрических систем напольного отопления, должна быть подтверждена изготовителем покрытия. Кроме того, следует соблюдать все дополнительные указания производителя в обязательном порядке. В местах установки нагревательных матов запрещается делать в полу любые отверстия (например, для крепления дверных замков). Не допускается укладывать теплоизолирующие покрытия, такие как толстые ковры, а также устанавливать шкафы, которые располагаются непосредственно на полу в области электрического напольного отопления, поскольку это приводит к перегреву пола.

Этапы установки

1. Убедитесь в соответствии полученного товара вашему заказу.
2. Измерьте сопротивление изоляции при помощи соответствующего прибора, а также электрическое сопротивление матов при помощи омметра и внесите результаты замеров в приложенный Протокол «установки и передачи Uponor Comfort E». Сравните полученные значения с номинальными.
3. Установите защитные трубки, монтажную коробку для термостата и при необходимости - скрытую соединительную коробку. Установите трубку для датчика по середине между двумя нагревательными кабелями заподлицо с изоляционными плитами. В случае необходимости для установки трубки следует прорезать изоляционный мат и основание пола. Вставьте датчик температуры пола в трубку.
4. Раскатайте маты Comfort E Cable Mat в соответствии с планом установки. При этом частями удаляйте с клеящейся поверхности защитную пленку и прижимайте мат к подложке. Для корректировки направления обрежьте каркасную ткань нагревательных матов ножницами. Следите при этом, чтобы не перерезать и не повредить нагревательный кабель. Нагревательные кабели нельзя перекрещивать или укладывать на деформационные швы.
5. Укладывайте маты таким образом, чтобы датчики температуры пола располагались на равном расстоянии между двумя нагревательными кабелями. Протяните холодные концы матов через трубку в монтажную коробку термостата или в соединительную коробку и пометьте концы кабелей отдельных матов.
6. Еще раз измерьте сопротивление изоляции и сопротивление нагревательных матов. Внесите результаты измерения в Протокол установки и передачи Uponor Comfort E.
7. Затем можно уложить подложку для покрытия пола в соответствии с требованиями и спецификациями производителя.
8. После укладки покрытия пола следует произвести заключительный контрольный замер сопротивления изоляции и сопротивления матов. Внесите результаты измерения в Протокол сборки и передачи Uponor Comfort E. Гарантия Uponor действует только в том случае, если выполнение всех контрольных измерений занесено в протокол сборки и передачи Uponor Comfort E.
9. Подключите холодные концы матов и датчик температуры пола к комнатному термостату и соедините его с сетью питания 230 В. Учтите дополнительные указания по установке и эксплуатации термостата.



Внимание! Опасность поражения электрическим током!

Электрический теплый пол Uponor Comfort E работает с напряжением 230 В переменного тока. Подключение к сети электропитания может выполняться только квалифицированным персоналом.

Ввод в эксплуатацию

Проведите функциональный тест, включив комнатный термостат и установив желаемые настройки.

После этого система отопления может быть передана клиенту или пользователю. Передача включает в себя

- План установки, в котором указаны количество и положение отдельных нагревательных матов (включая соответствующие величины мощности) и положение соединительных коробок, датчиков температуры пола и термостатов в помещении.

- Инструкции по сборке и эксплуатации.
- Протокол сборки и передачи Comfort E.

Документы должны тщательно храниться и быть доступными в любое время, чтобы иметь возможность восстановить местоположение отдельных нагревательных матов.

Внимание!

В области установленных нагревательных матов нельзя делать никаких отверстий в полу (например, для фиксации дверных упоров).

Протокол монтажа и передачи Uponor Comfort E*

Место установки / Адрес _____

Специалист по установке
и подключению к сети _____

Наклейте сюда этикетку продукта

Наклейте сюда этикетку продукта

Позже сравните внесенные в таблицу данные с данными, указанными производителем в таблице «Исходные параметры».

Замеры сопротивления матов и теплоизоляции		Перед укладкой матов		После укладки нагревательных матов / перед укладкой пола		После укладки пола	
Помещение № / Название	№ мата	Сопротивление матов ¹⁾ (Ом)	Сопротивление изоляции ²⁾ (МОм)	Сопротивление матов ¹⁾ (Ом)	Сопротивление изоляции ²⁾ (МОм)	Сопротивление матов ¹⁾ (Ом)	Сопротивление изоляции ²⁾ (МОм)

¹⁾ Допуск от -5 до +10 % ²⁾ Минимальное сопротивление изоляции 4000 МОм

Система обогрева пола Uponor Comfort E была профессионально установлена в соответствии с инструкциями производителя, подключена к источнику питания 230 В и функционирует со следующей документацией

- Инструкции по установке и эксплуатации
- Монтажные чертежи / план установки
- Фотографии процесса установки
- Протокол монтажа и передачи Comfort E

Место, дата

Подпись подрядчика / специалиста по подключению к сети

Место, дата

Подпись клиента/владельца

* Гарантия Uponor действует только в том случае, если выполнение всех контрольных измерений занесено в Протокол сборки и передачи Comfort E.

Innehåll

Produktinformation angående kommissionens förordning (EU) 2015/1188

Viktiga anmärkningar om avsedd användning, säkerhet och garanti

Avsedd användning 63
 Uponors garantiförsäkring 63

Systembeskrivning

Golvkonstruktion 64
 Tekniska data 64
 Designdata 64

Installation och idrifttagning

Installationsanvisningar 65
 Installationen steg för steg..... 66
 Idrifttagning 66
 Protokoll för installation och överlämnande av Uponor Comfort E 67

Installationsbilder.....

Produktinformation angående kommissionens förordning (EU) 2015/1188

Informationskrav för elektriska rumsvärmare

Modellbeteckning(ar): **Uponor Comfort E Cable Mat 160 & Uponor Comfort E termostat dig.prog. Flush Set T-87IF 1088668 - 1088679**

Post	Beteckn	Värde	Post	T-87IF ¹⁾	T-86	T-85
Värmeeffekt			Typ av tillförd värme, endast för elektriska värmelagrande rumsvärmare (välj en)			
Nominell avgiven värmeeffekt	P _{nom}	0,16 - 1,92 ²⁾ kW	manuell reglering av värmeförseln med inbyggd termostat	nej	nej	nej
Lägsta värmeeffekt (indikativt)	P _{min}	N.A. kW	manuell reglering av värmeförseln med återkoppling av inomhus- och/eller utomhustemperaturen	nej	nej	nej
Maximal kontinuerlig värmeeffekt	P _{max,c}	0,16 - 1,92 ²⁾ kW	elektronisk reglering av värmeförseln med återkoppling av inomhus- och/eller utomhustemperaturen	nej	nej	nej
Tillsatsförbrukning			Andra regleringsmetoder (flera alternativ kan markeras)			
		T-87IF T-86 T-85	värmeavgivning med hjälp av fläkt	nej	nej	nej
Vid nominell avgiven värmeeffekt	e _{l max}	< 0,001 < 0,001 < 0,001 kW	Typ av reglering av värmeeffekt/rumstemperatur (välj en)			
Vid lägsta värmeeffekt	e _{l min}	< 0,001 < 0,001 < 0,001 kW	enstegs värmeeffekt utan rumstemperaturreglering	nej	nej	nej
I standbyläge	e _{l SB}	< 0,001 < 0,001 < 0,001 kW	två eller flera manuella steg utan rumstemperaturreglering	nej	nej	nej
			med mekanisk termostat för rumstemperaturreglering	nej	nej	nej
			med elektronisk rumstemperaturreglering	nej	nej	nej
			med elektronisk rumstemperaturreglering plus dygnstimer	nej	nej	nej
			med elektronisk rumstemperaturreglering plus veckotimer	ja	ja	ja ³⁾
			rumstemperaturreglering med närvarodetektering	nej	nej	nej
			rumstemperaturreglering med detektering av öppna fönster	nej	nej	ja ⁴⁾
			med möjlighet till fjärrstyrning	nej	nej	nej
			med anpassningsbar startreglering	ja	ja	nej
			med driftstidsbegränsning	ja	nej	ja
			med svartkroppsgivare	nej	nej	nej

¹⁾ En del av förpackningen, Comfort E AL-Foil matta
²⁾ 160, 240 W (1; 1,5 qm) Inte enligt denna förordning
³⁾ Med extern veckotimer ansluten till rumstermostat
⁴⁾ Med extern öppen fönsterdetektering

Uponor GmbH - Industriestr. 56 - 97437 Hassfurt - www.uponor.com

Överensstämmelse av EU 2015/1188 endast genom definerad temperaturregulator med beskriven funktionalitet

Viktiga anmärkningar om avsedd användning, säkerhet och garanti

Avsedd användning

Uponor Comfort E är ett elektriskt golvvärmesystem som används för att hålla temperaturen eller värma upp rum i slutna byggnader. Installationen utförs enligt tekniska regler och relevanta bestämmelser på ett lämpligt underlag under golvläggningen som godkänts av respektive tillverkare. Inga andra användningsområden avses, och de kommer att leda till att tillverkarens garanti upphävs.

Uponors garantiförsäkring för Comfort E-kabelmatta

Tänk på säkerheten – så här får du Uponors garantiförsäkring:

Utnyttja möjligheten att få en upp till 10-årig garanti till ditt konstruktionsprojekt på de värmemattor av typen Uponor Comfort E-kabelmatta som används.

Uponors garantiförsäkring bygger på att du kan bekräfta att alla Uponor-produkter installerats av en installatör enligt de relevanta monteringsanvisningarna och i enlighet med gällande lagar, bestämmelser och etablerade tekniska regler.

Det enkla sättet att skaffa Uponors garantiförsäkring:

1. Du är installatör och har installerat ett lämpligt Uponor-system som Uponors garantiförsäkring ska utfärdas för.
2. Produkterna installerades för högst tre månader sedan.
3. Begär registreringsformuläret för Uponors garantiförsäkring och fyll i det och Protokoll för installation och överlämnande av Uponor Comfort E för dessa installationsanvisningar fullständigt, inklusive företagets stämpel och namnteckning. Skicka dokumenten med e-post (warranty.comfort-e@uponor.com) till Uponor.
4. Inom ett par arbetsdagar får du originalet av Uponors garantiförsäkring.

Om Uponor-produkter monteras eller blandas med produkter från tredje man inom en installation kan Uponors garantiförsäkring inte utfärdas, och den kommer i sådana fall att förlora sin giltighet i efterhand.

Viktiga säkerhetsanvisningar vid installation

- Värmemattorna får bara användas i kombination med en rumstermostat för rumstemperatur med ansluten golvgivare för golvtemperatur.
- Värmemattorna får bara anslutas till 230 V nätström via ett särskilt uttag. En jordfelsbrytare med utlösningström 30 mA måste installeras.
- När värmemattan läggs ut måste avståndet till delar av fastigheten som är ledande (till exempel rörledningar) vara minst 60 mm.
- Värmemattorna får inte läggas ut under möbler och hygienanordningar som står direkt eller utan ben på golvet för att undvika överhettning när de används.
- Anslutningshylsorna för värme- och kylledningarna får inte utsättas för tryck.
- Värmekablarna får inte dras genom expansionsskarvar eller genom eller bakom isolering och isoleringsmaterial.
- Värmekablarna får inte böjas med en mindre radie än 30 mm.
- Värmekablarna får inte knytas eller på andra sätt skadas vid installationen. Värmekablarna får inte dras över varandra.
- Om flera värmemattor installeras i ett rum får de bara kopplas till nätströmmen parallellt. Koppla dem aldrig i serie!
- Temperaturen måste vara minst 5 °C när de läggs ut.



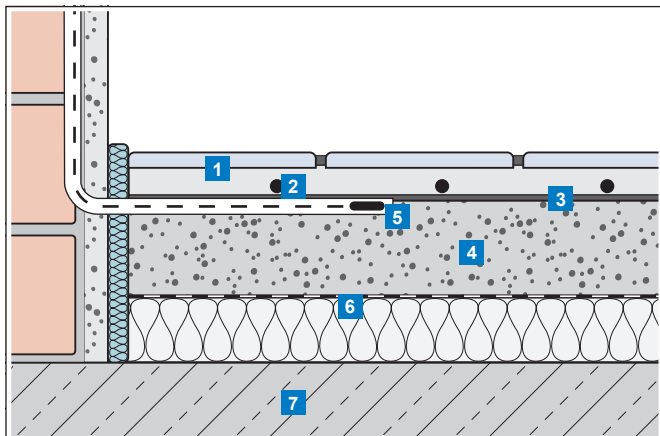
Obs! Risk för elektriska stötar!

Det elektriska golvvärmesystemet Uponor Comfort E drivs med en spänning på 230 V AC. Anslutningar till nätströmmen får endast utföras av utbildad personal.

Uponor förbehåller sig rätten att utan föregående meddelande ändra specifikationerna för ingående komponenter enligt vår policy om ständig förbättring och utveckling.

Systembeskrivning

Golvkonstruktion (exempel)



- 1 Kakelfästmassa med kakelplattor
- 2 Uponor Comfort E-värmemattor
- 3 Tillval: grundning, fyllmaterial
- 4 Golvmassa
- 5 Golvgivare i skyddsror
- 6 Isoleringsskikt med isoleringsskiktsskydd
- 7 Lastbärande underlag (t.ex. betong)

Tekniska data

Tekniska data för Uponor Comfort E-kabelmattan	
Märkspänning	230 V, AC
Nominell kapacitet	160 W/m ²
Strömbrytare ¹⁾ av typ C	Max. 16 A
Minsta böjningsradie	30 mm
Minsta installationsavstånd	60 mm
Högsta drifttemperatur	+90 °C
Lägsta installationstemperatur	+5 °C
Tvårsnitt av ledaren i anslutningskabeln	3 × 0,75 mm ²
Anslutningskabelns längd	4,0 m
Godkännanden	VDE, CE

¹⁾ När flera värmemattor ansluts till en gruppcentral är den totala strömstyrkan för mattorna begränsad till högst 16 A.

Viktigt!

Uponor Termostat T-87IF växlar 10 A. Mattor och kablar kan kombineras hur som helst så länge som den totala belastningen inte överstiger detta värde.

Designdata

Typ av värmematta	Installationsområde (m ²)	Värmemattans längd (m)	Värmemattans kapacitet (W)	Värmemattans resistans ¹⁾ (Ω)
UPONOR COMFORT E-KABELMATTAN 160-1	1	2	160	329
UPONOR COMFORT E-KABELMATTAN 160-1,5	1,5	3	240	224
UPONOR COMFORT E KABELMATTAN 160-2	2	4	320	171
UPONOR COMFORT E KABELMATTAN 160-2,5	2,5	5	400	132
UPONOR COMFORT E KABELMATTAN 160-3	3	6	480	107
UPONOR COMFORT E KABELMATTAN 160-4	4	8	640	85
UPONOR COMFORT E KABELMATTAN 160-5	5	10	800	69
UPONOR COMFORT E KABELMATTAN 160-6	6	12	960	55
UPONOR COMFORT E KABELMATTAN 160-7	7	14	1120	48
UPONOR COMFORT E KABELMATTAN 160-8	8	16	1280	42
UPONOR COMFORT E KABELMATTAN 160-10	10	20	1600	33
UPONOR COMFORT E KABELMATTAN 160-12	12	24	1920	28

¹⁾ Tolerans -5 % till +10 %

Installation och idrifttagning

Installationsanvisningar

Allmän information

Värmekablarna får inte kortslutas. De får inte heller dras över eller vidröra några värmekablar eller andra typer av kablar. Det är inte tillåtet att lägga värmekablarna över expansionsfogar. Anslutningskabeln får dras över expansionsfogar i ett skydds rör. Värmekablarna får inte installeras under hygienanordningar som står på golvet, som badkar, toalettstolar eller duschar. På samma sätt är det inte tillåtet att dra kablarna under möbler utan ben, till exempel garderober, eftersom det där inte finns tillräckligt med luftcirkulation för avledning av värmen.

Anmärkningar om planeringen

Underlaget måste vara lämpligt för installationen. Framförallt måste planhet och bärkraft kontrolleras. Vid behov måste underlaget kompenseras eller på annat sätt förberedas för installationen av Comfort E-systemet. Innan installationen måste installatören känna till relevanta standarder och riktlinjer för golvkonstruktionen, och sedan tillämpa dessa. Om hänsyn inte tas till dessa standarder och riktlinjer, eller om planering och installation inte sker på ett professionellt sätt, uppgör garantin att gälla. Vid planeringen måste placeringen av värmemattorna, golvtemperaturgivare och reglercentralen för rumstemperatur tas med på konstruktionsritningen. Hänsyn måste tas till det befintliga och tänkta möblemanget, till exempel hygienanordningar och garderober osv. som står på golvet.



Viktigt!

Värmemattorna får inte kortslutas och måste därför läggas ut enligt förutsättningarna i rummet.

Förberedelse av underlaget

Golvvärmesystemet Uponor Comfort E-kabelmatta kan installeras på alla plana, solida och värmebeständiga ytor. Golvet måste vara isolerat för att minska värmeförlusten nedåt. Underlaget måste först rengöras. Använd vid behov ett lämpligt golvutjämningsmaterial eller andra metoder för att se till att underlaget är tillräckligt plant och att värmesystemet fäster ordentligt vid det. Det är inte tillåtet att montera systemet direkt på spånskiva eller trägolv utan mellanlägg. Följ de anvisningar som tillhandahållits av beläggningstillverkaren.

Installation av rumstermostat och golvtemperaturgivare

För installationen av rumstermostaten för rumstemperatur måste ett infällt vägguttag av den typ som finns i handeln med 230 V växelström finnas till handa där installationen ska ske. Därifrån måste två skydds rör för anslutningskabeln och golvtemperaturgivarens kabel fällas in i väggen och dras ned till golvet. Skydds rören för golvtemperaturgivarens kabel måste också installeras i golvet i höjd med ytan som leder fram till givaren. Anslutningskabeln till värmemattan och golvtemperaturgivarens kabel får inte dras i samma skydds rör! Om flera värmemattor i ett rum ska anslutas parallellt till reglercentralen för rumstemperatur måste en infälld kopplingsdosa användas. En jordfelsbrytare (30 mA) måste också användas. De separata anvisningarna till reglercentralen för rumstemperatur måste följas.

Golvbeläggning

Tillverkaren måste bekräfta att golvbeläggningen som används till elektriska golvvärmesystem är lämplig för ändamålet. Dessutom måste alla övriga specifikationer från tillverkaren följas. Inom det område där värmemattorna installeras får inga hål (till exempel för att fästa dörrstopp) göras i golvet. Värmeisolerande övertäckning som tjocka mattor är inte tillåtna inom området där den elektriska golvvärmesystemet installeras, eftersom de leder till överhettning eller värmestegring.

Installationen steg för steg

1. Jämför det material som levererats med din order
2. Mät isoleringens resistans med isoleringstestverktyget och de levererade värmemattornas resistans med ohmmätaren och för in värdena i det bifogade dokumentet Protokoll för installation och överlämnande av Uponor Comfort E. Jämför värdena med standardvärdena från fabriken.
3. Installera skyddsroren, UP-kopplingsdosan och vid behov UP-kopplingsdosan i väggen. Om skyddsroret för golvtemperaturgivaren och golvtemperaturgivarens ska fällas in i ytskiktet centralt under två värmekablar kan det hända att underlaget måste skäras till eller gjutas. För in golvtemperaturgivaren och kabeln i skyddsroret till givaren.
4. Lägg ut Comfort E-värmemattorna enligt installationsplanen. Ta stegvis bort skyddsfilm från den självhäftande ytan och tryck värmemattorna mot underlaget. Om du vill ändra riktning klipper du bort bakstycket i tyg på värmemattorna med sax. Värmekabeln får varken kapas eller skadas. Värmekablarna får inte dras över varandra eller över expansionsfogar.
5. Placera ut värmemattorna så att golvtemperaturgivaren befinner sig i mitten nedanför två värmekablar. För in den kalla ledaren genom skyddsroret in i någon av de infällda kopplingsdosorna och märk upp kabeländarna för de olika värmemattorna.
6. Ta bort isoleringen från kabeländarna och mät resistansen en gång till för isoleringen och värmemattorna. För in de uppmätta värdena i det bifogade dokumentet Protokoll för installation och överlämnande av Uponor Comfort E.
7. Sedan kan ett golvutjämningsmaterial som är lämpligt för golvbeläggningen installeras enligt de krav och specifikationer som respektive tillverkare tillhandahållit. Sedan kan golvbeläggningen läggas.
8. När golvbeläggningen lagts utförs den slutgiltiga kontrollen av värmemattans isolering och resistans. För in de uppmätta värdena i det bifogade dokumentet Protokoll för installation och överlämnande av Uponor Comfort E. För att erhålla Uponors produktgaranti måste alla uppmätta värden dokumenteras i dokumentet Protokoll för installation och överlämnande av Uponor Comfort E. Detta protokoll måste bifogas till garantibegäran.
9. Anslut elmatningskabeln mellan värmemattorna och golvtemperaturgivaren till reglercentralen för rumstemperatur och anslut den till 230 V nätström. Följ alla övriga instruktioner för installation och användning av reglercentralen för rumstemperatur.



Obs! Risk för elektriska stötar!

Det elektriska golvvärmesystemet Uponor Comfort E drivs med en spänning på 230 V AC. Anslutning till nätström får endast utföras av utbildad personal.

Idrifttagning

Utför ett funktionstest genom att slå på den elektriska reglercentralen för rumstemperatur och ange önskade inställningar.

Sedan kan värmesystemet lämnas över till kunden eller användaren. I överlämnandet ingår:

- installationsplanen, där antal och placering av de enskilda värmemattorna (inklusive deras kapacitet) samt placering av kopplingsdosor, golvtemperaturgivare och rumstermostat framgår.

- monterings- och bruksanvisning samt
- dokumentet Protokoll för installation och överlämnande av Uponor Comfort E.

Dokumenterna måste förvaras noggrant och alltid finnas tillgängliga för att placeringen av de enskilda värmemattorna ska kunna identifieras på nytt.

Obs!

Inom det område där värmemattorna installeras får inga hål (till exempel för att fästa dörrstopp) göras i golvet.

Protokoll för installation och överlämnande av Uponor Comfort E*

Byggnadsprojekt/adress

Specialist för installation och anslutning av 230 V

Fäst produktetiketter här

Fäst produktetiketter här

Jämför de värden som förts in i tabellen med standardvärdena från fabriken enligt tabellen Designdata

Uppmätta värden för resistans och isolering		Innan värmemattorna lagts ut		Efter att värmemattorna lagts ut/innan golvbeläggningsen lagts		Efter att golvbeläggningsen lagts	
Rumsnr/ beteckning	Artikelnr för värmemattan	Värmemattans resistans ¹⁾ (Ω)	Isoleringens motstånd ²⁾ (MΩ)	Värmemattans resistans ¹⁾ (Ω)	Isoleringens motstånd ²⁾ (MΩ)	Värmemattans resistans ¹⁾ (Ω)	Isoleringens motstånd ²⁾ (MΩ)

¹⁾ Tolerans -5 % till +10 % ²⁾ Minsta isoleringsresistans 10 MΩ

Det elektriska golvvärmesystemet Uponor Comfort E har installerats på ett professionellt sätt i enlighet med tillverkarens anvisningar, anslutits till 230 V nätström och överlämnats i fullständigt fungerande skick med följande dokument:

Installations- och bruksanvisning

Fotografier av installationen

Installationsplan/ritning

Protokoll för installation och överlämnande av Uponor Comfort E

Plats, datum

Namnteckning för entreprenör/kvalificerad elinstallatör

Plats, datum

Namnteckning kund/fastighetsägare

* För att erhålla Uponors produktgaranti måste alla uppmätta värden dokumenteras i dokumentet Protokoll för installation och överlämnande av Uponor Comfort E. Detta protokoll måste bifogas till garantibegäran.

Obsah

Informácie o produkte týkajúce sa nariadenia Komisie (EÚ) 2015/1188	68	Inštalácia a uvedenie do prevádzky	71
Dôležité poznámky o účele použitia, bezpečnosti a záruke	69	Pokyny pre montáž	71
Účel použitia	69	Jednotlivé kroky inštalácie	72
Vyhlasenie o záruke spoločnosti Uponor pre vykurovaciu rohož s káblami Comfort E	69	Uvedenie do prevádzky	72
Popis systému	70	Inštalčný a odovzdávajúci protokol rohože Uponor Comfort E	73
Konštrukcia podlahy	70	Obrázky inštalácie	74
Technické špecifikácie	70		
Údaje o dizajne	70		

Informácie o produkte týkajúce sa nariadenia Komisie (EÚ) 2015/1188

Požiadavky na informácie pre elektrické lokálne ohrievače priestoru

Identifikačný (-é) kód (-y) modelu:	Uponor Comfort E Cable Mat 160 & Uponor Comfort E thermostat dig.prog. Flush Set T-87IF 1088668 - 1088679								
Položka	Symbol	Hodnieta			Položka	T-87IF ¹⁾	T-86	T-85	
VäTeplný výkon						Spôsob prívodu tepla, iba pre elektrické akumulčné lokálne ohrievače priestoru (vyberte jeden)			
Menovitý tepelný výkon	P_{nom}	0,16 - 1,92 ²⁾			kW	manuálne ovládanie množstva tepla so zabudovaným termostatom	nie	nie	nie
Minimálny tepelný výkon (orientačne)	P_{min}	N.A.			kW	manuálne ovládanie množstva tepla so spätnou väzbou izbovej a/alebo vonkajšej teploty	nie	nie	nie
Maximálny priebežný tepelný výkon	$P_{max,c}$	0,16 - 1,92 ²⁾			kW	elektronické ovládanie množstva tepla so spätnou väzbou izbovej a/alebo vonkajšej teploty	nie	nie	nie
Vlastná spotreba elektrickej energie		T-87IF	T-86	T-85		tepelný výkon s pomocou ventilátora	nie	nie	nie
Pri menovitom tepelnom výkone	$e_{l,max}$	< 0,001	< 0,001	< 0,001	kW	Druh ovládania tepelného výkonu/izbovej teploty (vyberte jeden)			
Pri minimálnom tepelnom výkone	$e_{l,min}$	< 0,001	< 0,001	< 0,001	kW	jedn úrovňový tepelný výkon bez ovládania izbovej teploty	nie	nie	nie
V pohotovostnom režime	$e_{l,SB}$	< 0,001	< 0,001	< 0,001	kW	dve alebo viac manuálnych úrovní bez ovládania izbovej teploty	nie	nie	nie
						s ovládaním izbovej teploty mechanickým termostatom	nie	nie	nie
						s elektronickým ovládaním izbovej teploty	nie	nie	nie
						elektronické ovládanie izbovej teploty a denný časovač	nie	nie	nie
						elektronické ovládanie izbovej teploty a týždenný časovač	áno	áno	áno ³⁾
						Ďalšie možnosti ovládania (možnosť viacnásobného výberu)			
						ovládanie izbovej teploty s detekciou prítomnosti	nie	nie	nie
						ovládanie izbovej teploty s detekciou otvoreného okna	nie	nie	áno ⁴⁾
						s možnosťou diaľkového ovládania	nie	nie	nie
						s prispôsobivým ovládaním spustenia	áno	áno	nie
						s obmedzením času prevádzky	áno	nie	áno
						so snímačom čiernej žiarovky	nie	nie	nie

¹⁾ Súčasťou súpravy káblových komôr Comfort E

²⁾ 160, 240 W (1; 1,5 qm) nie podľa tohto nariadenia

³⁾ s externým týždenným časom prepojeným s izbovým termostatom (na boku)

⁴⁾ s vonkajšou detekciou otvoreného okna (na bočnej strane)

Uponor GmbH - Industriestr. 56 - 97437 Hassfurt - www.uponor.com

Zhoda EU 2015/1188 iba pomocou definovaného regulátora teploty s popísanou funkcionalitou.

Dôležité poznámky o účele použitia, bezpečnosti a záruke

Účel použitia

Uponor Comfort E je systém elektrického podlahového vykurovania, ktorý sa používa na temperovanie alebo vykurovanie miestností v uzatvorených budovách. Inštalácia sa vykonáva podľa technologických pravidiel a príslušných smerníc, na vhodnej základovej vrstve pod podlahou schválenou príslušným výrobcou. Akékoľvek iné použitie nie je zamýšľané a jeho následkom je zrušenie záruky výrobcu.

Vyhlásenie o záruke spoločnosti Uponor pre vykurovaciu rohož s káblami Comfort E

Buďte bez obáv – ako získať prehlásenie o záruke spoločnosti Uponor:

Využite možnosť získať až 10-ročnú záruku pre váš stavebný projekt na použitú vykurovaciu rohož Uponor Comfort E. Vyhlásenie spoločnosti Uponor o záruke je založené na potvrdení, že všetky výrobky spoločnosti Uponor boli nainštalované špecialistom na montáž v súlade s príslušnými pokynmi na zostavenie, pri dodržiavaní príslušných právnych predpisov, nariadení a stanovených technologických pravidiel.

Jednoduchá cesta k vyhláseniu o záruke od spoločnosti Uponor:

1. Ste montážny odborník a urobili ste montáž odpovedajúceho vykurovacieho systému Uponor, pre ktorý má byť vydané prehlásenie o záručných podmienkach spoločnosti Uponor.
2. Výrobky neboli inštalované pred viac ako 3 mesiacmi.
3. Požiadajte o registračný formulár k „Prehláseniu o záručných podmienkach spoločnosti Uponor“ a spolu s „Montážnym a odovzdávacím protokolom systému Uponor Comfort E“ vyplňte ich kompletne vrátane s vaším podpisom a pečiatkou spoločnosti. Odošlite dokumenty e-mailom (warranty.comfort-e@uponor.com) spoločnosti Uponor.
4. O niekoľko pracovných dní vám bude doručený originál prehlásenia o záručných podmienkach spoločnosti Uponor.

Ak sa v rámci inštalácie montujú alebo kombinujú výrobky spoločnosti s výrobkami tretích strán, nie je možné vydať Prehlásenie o záručných podmienkach spoločnosti Uponor a taktiež to spätne stratí platnosť.

Dôležité bezpečnostné pokyny pre inštaláciu

- Vykurovacie rohože je možné prevádzkovať iba v kombinácii s termostatom izbovej teploty s pripojeným snímačom teploty podlahy.
- Vykurovacie rohože sa môžu pripojiť len do siete s napätím 230 V, prostredníctvom pripájacej zásuvky. Taktiež musí byť nainštalovaný istič zostatkového prúdu s vypínacím prúdom 30 mA.
- Pri pokladaní vykurovacej podložky musí byť dodržaná minimálna vzdialenosť 60 mm od vodivých častí budovy (ako napríklad vodovodné potrubie).
- Vykurovacie rohože nemôžu byť umiestnené pod nábytkom a hygienickými zariadeniami, ak sa takýto nábytok nachádza priamo na podlahe (t. j. bez nožičiek), aby sa zabránilo prehrievaniu počas prevádzky rohoží.
- Prípojné manžety teplého a studeného vodiča nesmú byť vystavené ťahu.
- Vykurovacie káble nesmú prechádzať cez dilatačné škáry alebo cez izoláciu, alebo izolačný materiál.
- V prípade vykurovacích káblov sa nesmie prekročiť minimálny polomer ohnutia 30 mm.
- Vykurovacie káble sa nesmú počas inštalácie zlomiť alebo inak poškodiť. Nie je povolené kríženie vykurovacích káblov.
- Ak sa má v miestnosti inštalovať viacero vykurovacích rohoží, musia sa k napätiu siete pripájať iba paralelne. Nikdy nepripájajte sériovo!
- Teplota pri pokladaní musí byť aspoň 5 °C.



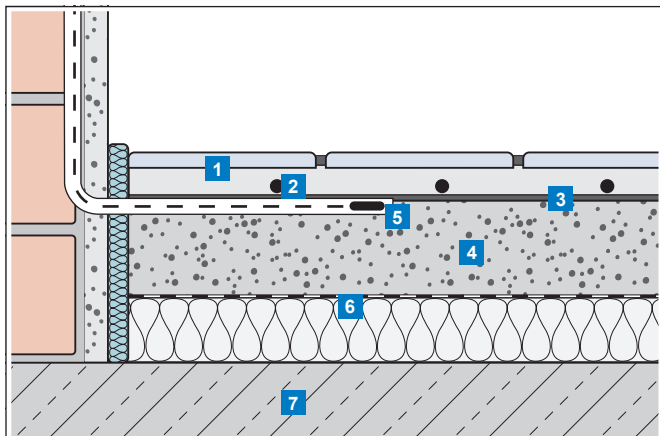
Pozor! Nebezpečenstvo úrazu elektrickým prúdom!

Elektrické podlahové kúrenie Uponor Comfort E je prevádzkované s napätím 230 V striedavého prúdu. Pripojenia k napájacej sieti môžu byť vykonané len kvalifikovanými pracovníkmi.

Spoločnosť Uponor si vyhradzuje právo na zmenu príslušných komponentov bez predbežného oznámenia, v súlade s jej politikou stáleho rastu a rozvoja.

Popis systému

Konštrukcia podlahy (príklad)



- 1 Lepidlá na dlaždice
- 2 Vykurovacie rohože Uponor Comfort E
- 3 Voliteľné: podklad, výplň
- 4 Podlahová krytina
- 5 Podlahový snímač v ochrannej rúrke
- 6 Izolačná vrstva s krytom izolačnej vrstvy
- 7 Podkladová vrstva nesúca záťaž (napr. betón)

Technické špecifikácie

Nominálne napätie	230 V, striedavý prúd
Menovitá kapacita	160 W/m ²
Istič ¹⁾ s vlastnosťami C	Max. 16 A
Min. polomer ohybu	30 mm
Min. inštalačná vzdialenosť	60 mm
Max. prevádzková teplota	+90 °C
Min. inštalačná teplota	+5 °C
Priečny rez vodivej časti pripojovacieho kábla	3 x 0,75 mm ²
Dĺžka pripojovacieho kábla	4,0 m
Povolenia	VDE, CE

¹⁾ V prípade pripojenia viacerých vykurovacích rohoží k poistkovej skrinke je celkový prúd pripojenia podložiek obmedzený na max. 16 A.

Dôležité!

Termostatom Uponor T-87IF môže prechádzať 10 A. Môže sa k nemu teda pripojiť akákoľvek kombinácia rohoží či káblov, pokiaľ vzniknutá celková záťaž neprekročí túto hodnotu.

Údaje o dizajne

Kábová rohož UPONOR COMFORT E 160-1	1	2	160	329
Kábová rohož UPONOR COMFORT E 160-1,5	1,5	3	240	224
Kábová rohož UPONOR COMFORT E 160-2	2	4	320	171
Kábová rohož UPONOR COMFORT E 160-2,5	2,5	5	400	132
Kábová rohož UPONOR COMFORT E 160-3	3	6	480	107
Kábová rohož UPONOR COMFORT E 160-44	4	8	640	85
Kábová rohož UPONOR COMFORT E 160-5	5	10	800	69
Kábová rohož UPONOR COMFORT E 160-6	6	12	960	55
Kábová rohož UPONOR COMFORT E 160-7	7	14	1120	48
Kábová rohož UPONOR COMFORT E 160-8	8	16	1280	42
Kábová rohož UPONOR COMFORT E 160-10	10	20	1600	33
Kábová rohož UPONOR COMFORT E 160-12	12	24	1920	28

¹⁾ Tolerancia -5 % až +10 %

Inštalácia a uvedenie do prevádzky

Pokyny pre montáž

Všeobecné informácie

Vykurovacie káble sa nesmú skracovať ani krížiť či sa dotýkať akýchkoľvek vykurovacích káblov alebo iných káblov. Nie je dovolené klásť vykurovacie káble cez dilatačné škáry. Pripojovací kábel sa smie viesť cez dilatačné škáry len v chráničke. Žiadne vykurovacie káble sa nesmú inštalovať pod hygienické zariadenia stojace na podlahe, ako napríklad vane, toalety alebo sprchy. Podobne nie je povolené pokladanie pod nábytok bez nožičiek, ako sú napríklad skrine, keďže tu nie je zaistená dostatočná cirkulácia vzduchu tak, aby sa teplo rozptýlilo.

Poznámky o plánovaní

Podkladová vrstva musí byť vhodná na kladenie. Predovšetkým je potrebné skontrolovať rovnosť a hrúbku. V prípade potreby sa musí vyrovnať alebo iným spôsobom pripraviť základová vrstva na inštaláciu systému Comfort E. Pred kladením musíte byť oboznámení s príslušnými normami a pokynmi vzťahujúcimi sa na podlahové konštrukcie a dodržiavať ich. V prípade ich nezohľadnenia a neodborného plánovania a inštalácie zaniká nárok na záruku. Pri plánovaní sa musí do technického výkresu zaznamenať poloha vykurovacích rohoží, podlahové snímače teploty a termostaty na reguláciu teploty v miestnostiach. Musí sa zohľadniť usporiadanie existujúceho a budúceho zariadenia, ako sú hygienické zariadenia či skrine, atď. stojace na podlahe.



Dôležité!

Vykurovacie rohože sa nesmú skracovať, a preto sa musia objednávať podľa rozostavenia miestnosti.

Príprava podkladovej vrstvy

Podlahový vykurovací systém rohoží s káblami Uponor Comfort E je možné pokladať na všetky rovné, pevné a tepluvzdorné povrchy. Povinná je tepelná izolácia podlahy, aby sa minimalizovali tepelné straty smerom nadol. Podkladová vrstva musí byť najskôr vyčistená. V prípade potreby použite vhodnú vyrovnávaciu zmes alebo iné opatrenia na zabezpečenie potrebnej rovnosti a prířnavosti substrátu vykurovacieho systému. Priame kladenie na drevotriekové alebo drevené podlahy bez dodatočných rozdeľovacích podložiek nie je povolené. Dodržiavajte pokyny výrobcu podlahovej krytiny.

Inštalácia izbového termostatu a podlahového snímača teploty

Inštalácia termostatu na reguláciu teploty v miestnosti vyžaduje napájaciu zásuvku so striedavým napätím 230 V. Z tohto miesta musia byť do steny pripevnené dve chráničky pre pripojovací kábel a kábel snímača teploty podlahy. Chránička vedená k snímaču teploty podlahy musí byť inštalovaná aj v podlahe a zapustená tak, aby jej horná strana bola na rovnakej úrovni ako umiestnenie snímača. Pripojovací kábel vykurovacej rohože a kábel snímača teploty podlahy sa nesmú inštalovať v rovnakej chráničke! Ak sa majú paralelne zapojiť viaceré vykurovacie rohože s jedným termostatom pre reguláciu izbovej teploty, musí sa nainštalovať zapustená rozvodná skriňa. Taktiež musí byť ako poistka nainštalovaný istič zostatkového prúdu (30 mA). Musia byť dodržané samostatné pokyny regulovania teploty v miestnosti.

Podlahové krytiny

Vhodnosť podlahových krytín, ktoré sa používajú pre systémy elektrického podlahového kúrenia, musí potvrdiť príslušný výrobca. Navyše sa musia dodržiavať všetky ďalšie špecifikácie výrobcu. V oblasti, kde sú inštalované vykurovacie rohože, sa nesmú do podlahy zapúšťať žiadne otvory (napr. na zaistenie zarážok dverí). Pokrývky izolujúce teplo, ako napríklad hrubé koberce, sú v miestach, kde sa nachádza elektrické podlahové vykurovanie, zakázané, keďže spôsobujú prehrievanie alebo akumuláciu tepla.

Jednotlivé kroky inštalácie

1. Porovnajajte dodaný materiál s vašou objednávkou
2. Pri dodaných vykurovacích rohožiach zmerajte odolnosť izolačnej vrstvy testerom a odpor rohoží pomocou ohmmetru, zistené hodnoty zapíšte do priloženého montážneho a odovzdávacieho protokolu Uponor Comfort E. Porovnajajte hodnoty s predvolenými hodnotami z výroby.
3. Nainštalujte do steny chráničky, hornú rozvodnú skrinku a v prípade potreby tak isto hornú svorkovú skrinku. V prípade umiestnenia chráničky podlahového snímača teploty zapusteného do povrchu a podlahového snímača teploty do stredu medzi dva vykurovacie káble môže byť taktiež potrebné podkladovú vrstvu narezat' alebo zlepit'. Vložte podlahový snímač teploty a kábel do ochrannej rúrky snímača.
4. Rozviňte vykurovacie rohože Comfort E podľa plánu pokladania. Odstráňte postupne v jednotlivých krokoch ochrannú fóliu z lepiaceho povrchu a zatlačte vykurovaciu rohož na podkladovú vrstvu. V prípade zmeny smeru rozstrihnete nožnicami hliníkovú fóliu vykurovacej rohože. Vykurovací kábel sa nesmie prerušiť ani poškodiť. Vykurovacie káble sa nesmú krížiť alebo viesť cez dilatačné škáry.
5. Umiestnite vykurovacie rohože tak, aby sa podlahový snímač teploty nachádzal v strede pod dvomi vykurovacími káblami. Pretiahnite studený vodič chráničkou do zapustenej rozvodnej skrine alebo do zapustenej svorkovej skrinky a označte konce káblov príslušnej vykurovacej rohože.
6. Odstráňte izoláciu z koncov káblov a zmerajte ešte raz odpor izolácie a odpor vykurovacích rohoží. Zadajte namerané hodnoty do priloženého Inštalačného a odovzdávacieho protokolu rohože Uponor Comfort E.
7. Následne je možné v súlade s požiadavkami a špecifikáciami príslušného výrobcu inštalovať vyrovnávaciu zmes vhodnú pre danú podlahovú krytinu. Potom je možné klásť podlahovú krytinu.
8. Po položení podlahovej krytiny sa vykoná záverečná kontrola izolácie vykurovacej rohože a odporu. Zadajte namerané hodnoty do priloženého Inštalačného a odovzdávacieho protokolu rohože Uponor Comfort E. Aby ste získali záruku na výrobok spoločnosti Uponor, musia byť všetky merania zdokumentované v Inštalačnom a odovzdávacom protokole rohoží Uponor Comfort E. Tento protokol musí byť pripojený k prípadnej reklamačnej žiadosti.
9. Pripojte napájací kábel vykurovacích rohoží a senzor teploty podlahy k termostatu pre reguláciu teploty v miestnosti a následne k zdroju napätia 230 V. Postupujte podľa ďalších montážnych a prevádzkových pokynov k termostatu pre reguláciu teploty v miestnosti.



Pozor! Nebezpečenstvo úrazu elektrickým prúdom!

Elektrické podlahové kúrenie Uponor Comfort E je prevádzkované s napätím 230 V striedavého prúdu. Pripojenia k napájacej sieti musia vykonávať len kvalifikovaní pracovníci.

Uvedenie do prevádzky

Otestujte funkčnosť zapnutím termostatu pre reguláciu teploty v miestnosti a navoľte požadované nastavenia.

Následne môžete odovzdať vykurovací systém zákazníkovi alebo používateľovi. Odovzdanie zahŕňa:

- plán inštalácie, na ktorom je uvedené číslo a poloha jednotlivých vykurovacích rohoží (vrátane príslušných kapacít vykurovania), ako aj umiestnenie rozvodných skríň, podlahového snímača teploty a termostatu,

- pokyny na zostavenie a prevádzku, ako aj
- protokol o inštalácii a odovzdaní rohože Uponor Comfort E.

Tieto dokumenty musia byť starostlivo uchované a vždy k dispozícii, aby bolo možné znovu určiť polohu jednotlivých vykurovacích rohoží.

Pozor!

V oblasti, kde sú inštalované vykurovacie rohože, sa nesmú do podlahy zapúšťať žiadne otvory (napr. na zaistenie zárážok dverí).

Inštalačný a odovzdávací protokol rohože Uponor Comfort E*

Stavebný projekt/adresa

Odborník na inštaláciu
a pripojenie na 230 V

Sem nalepte štítky výrobkov

Sem nalepte štítky výrobkov

Porovnajzte hodnoty zadané do tabuľky nižšie s predvolenými továrenskými hodnotami v súlade s tabuľkou „Údaje o dizajne“

¹⁾ Tolerancia -5 % až +10 % ²⁾ Minimálny odpor izolácie 10 MΩ

Elektrické podlahové vykurovanie Uponor Comfort E bolo odborné nainštalované v súlade s pokynmi výrobcu, pripojené k napájacej sieti 230 V a odovzdané plne funkčné s nasledujúcimi dokumentmi:

Inštalačné a prevádzkové pokyny

Fotografie inštalácie

Inštalačný plán/výkres

Protokol o inštalácii a odovzdaní rohože Uponor Comfort E

Miesto, dátum

Podpis dodávateľa / kvalifikovaného elektrikára vykonávajúceho inštaláciu

Miesto, dátum

Podpis zákazníka / vlastníka budovy

* Aby ste získali záruku na výrobok od spoločnosti Uponor, musia byť všetky merania zdokumentované v Inštalačnom a odovzdávacom protokole rohože Uponor Comfort E. Tento protokol je prílohou žiadosti o záruku.



EN

CZ

DE

DK

FI

HU

NL

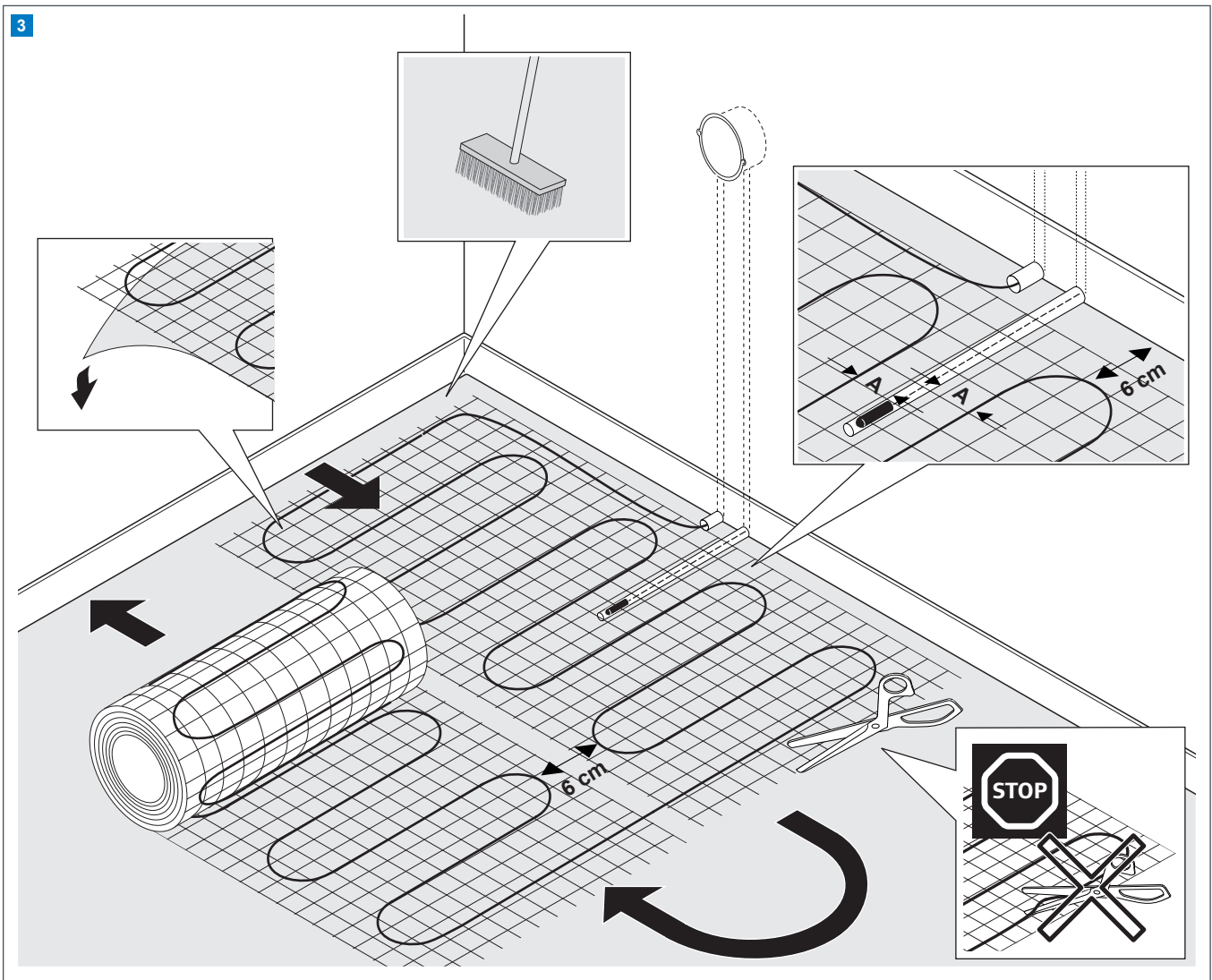
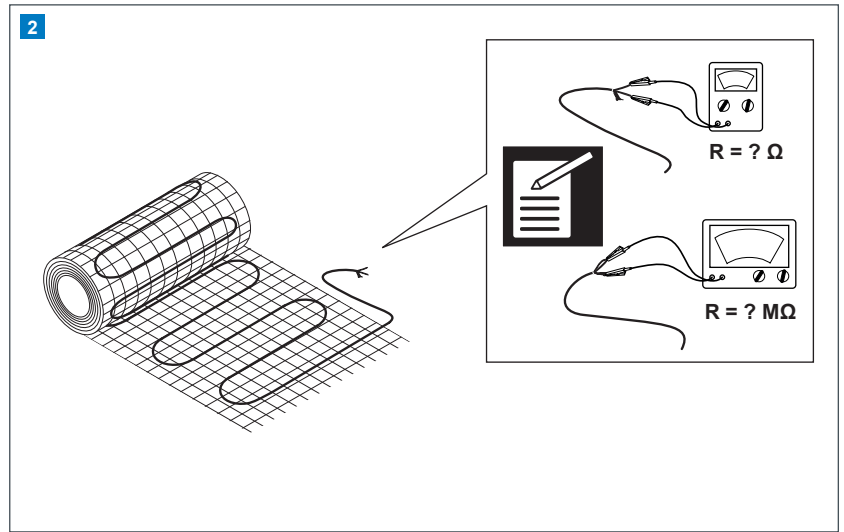
NO

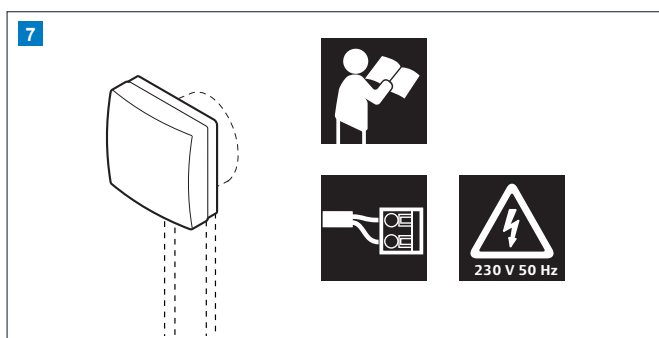
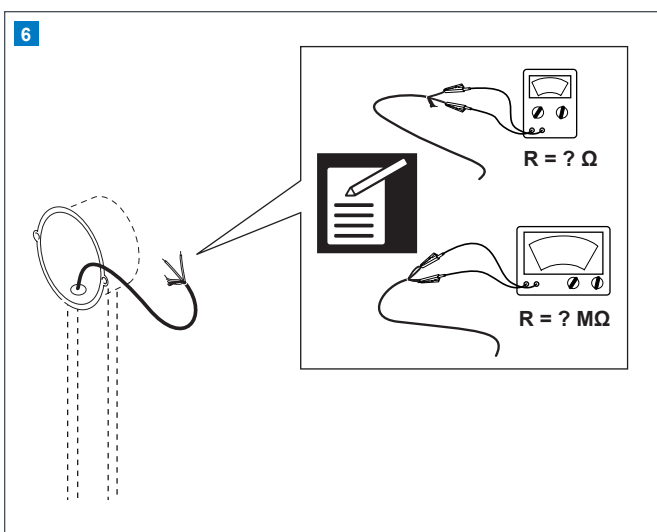
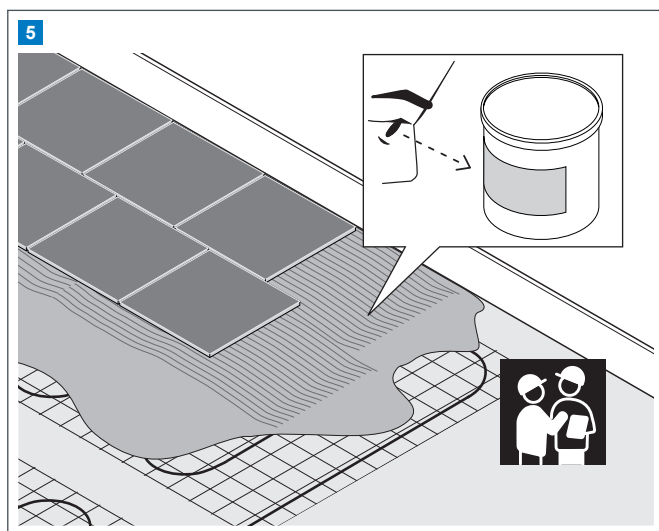
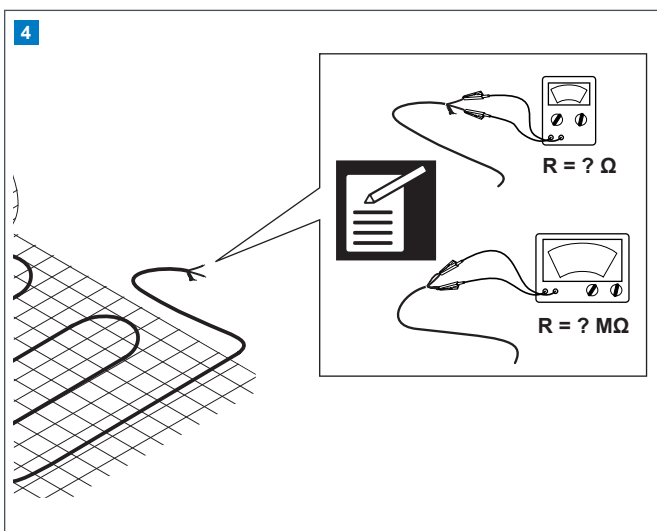
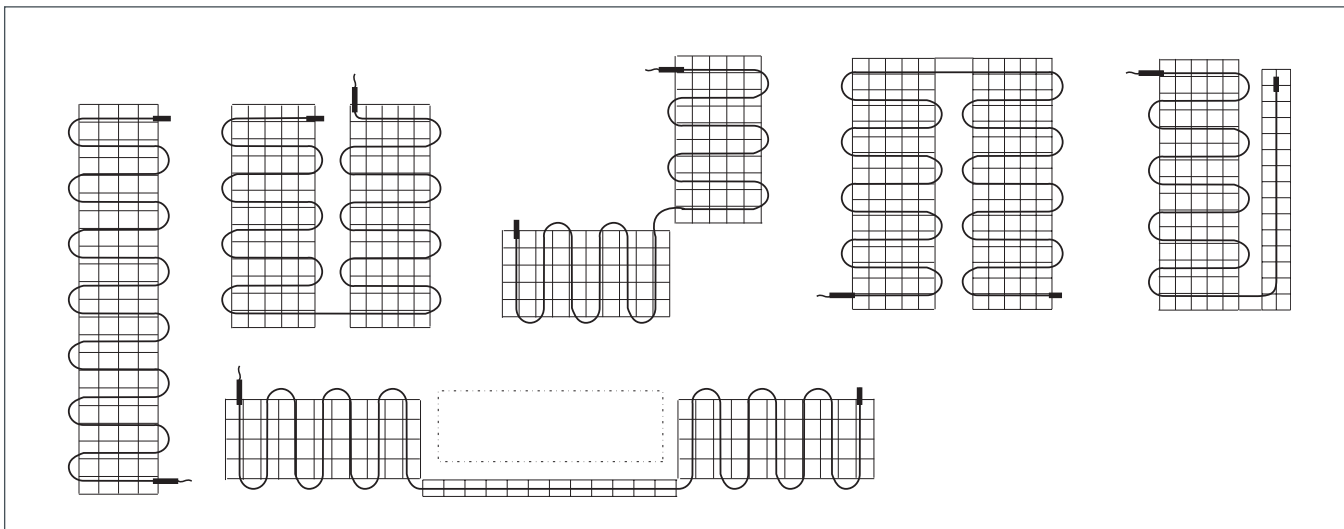
PL

RU

SE

SK





Uponor

Uponor GmbH
Industriestraße 56
97437 Hassfurt
Germany

1090640_12/2017_INT
Producer: Uponor/ELO



www.uponor.com