



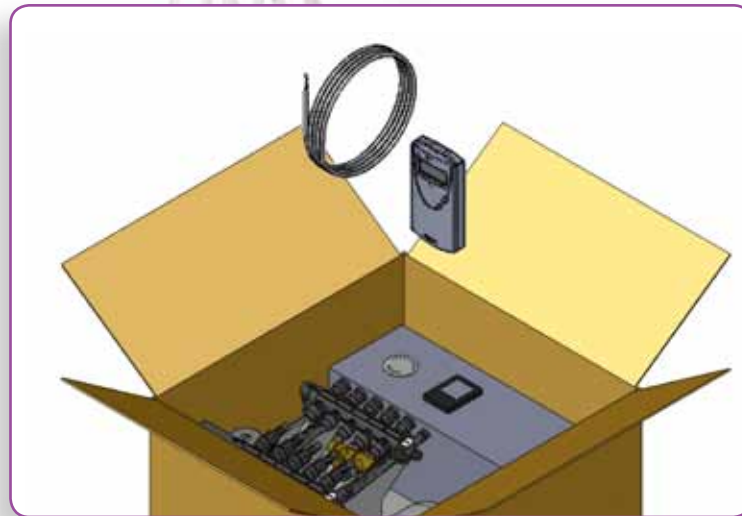
Radiant Ready 30E™ Instruction Sheet

uponor

RADIANT HEATING AND
COOLING SYSTEMS

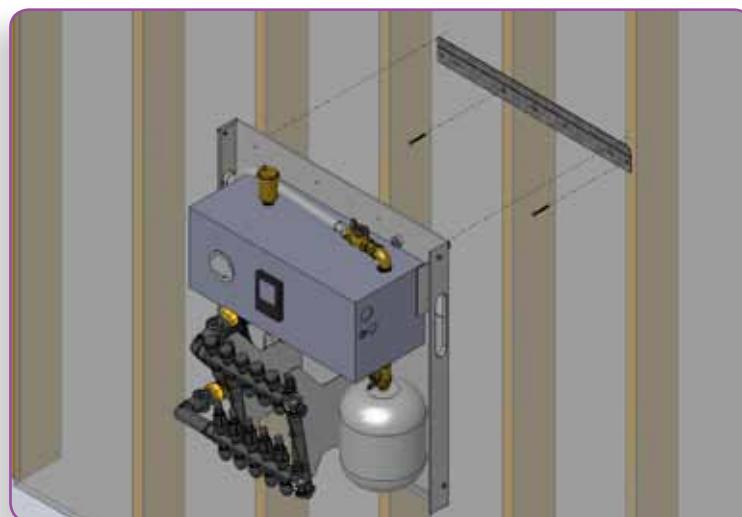
RADIANT READY 30E™

INSTRUCTION SHEET



1. Unpack the Unit

Remove the Radiant Ready 30E from the box. Take off the cover and remove the thermostat and thermostat wire.

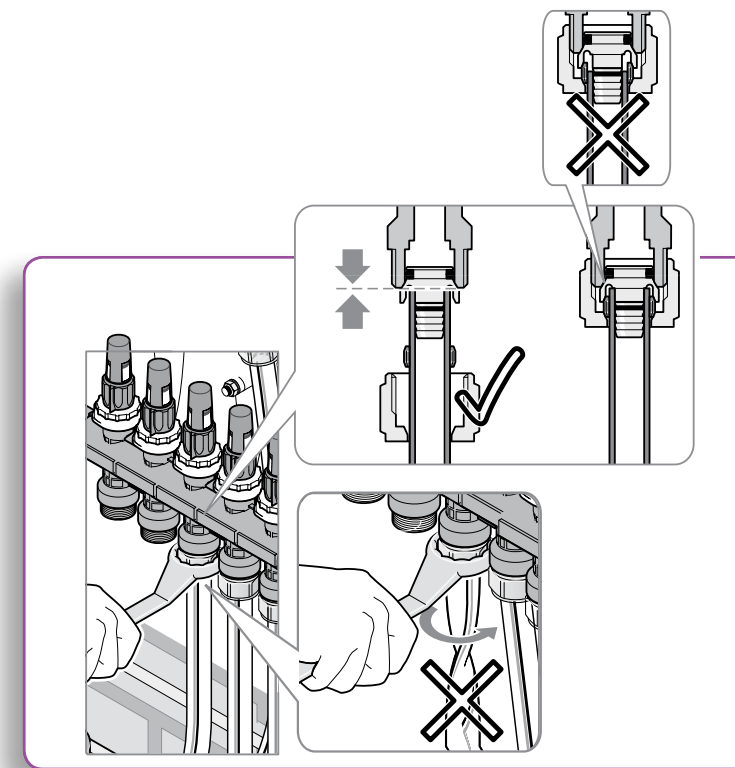


2. Mount on the Wall

Measure a minimum of 48" from the floor for the bracket location. Using a level, mount the bracket into the studs with the screws provided.

Note: Do not use sheetrock anchors.

Lift the Radiant Ready 30E onto the bracket and secure the unit to the wall with the screws provided.



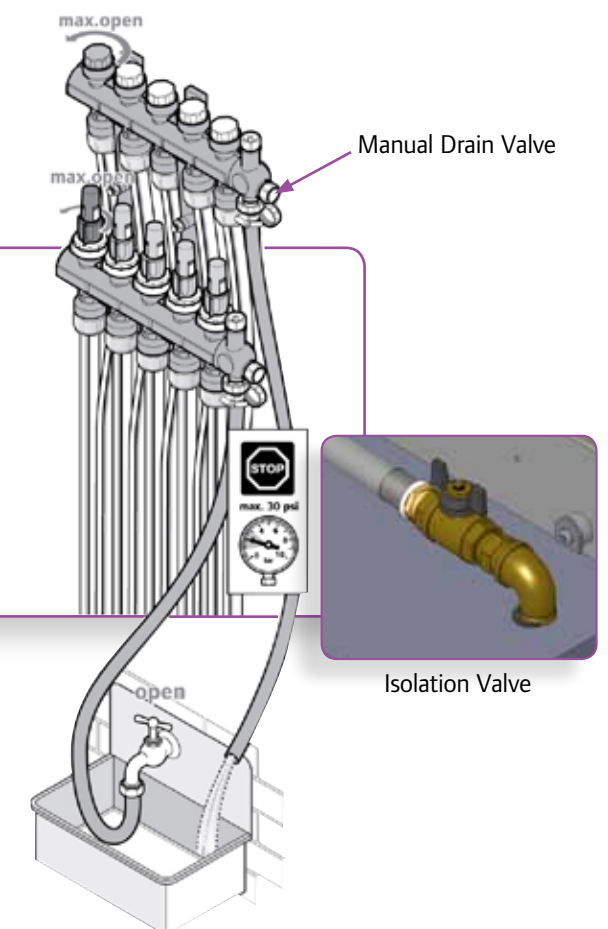
3. Connect the Tubing

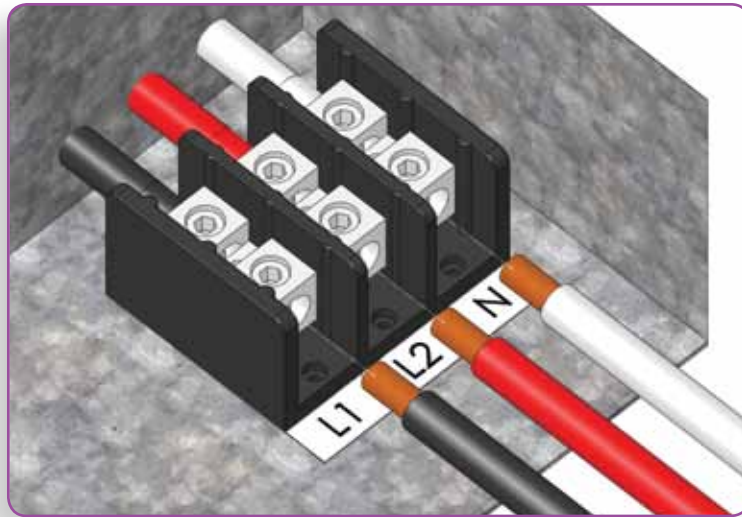
Use either the ProPEX®, QS-style or Multi-layer Composite (MLC) tubing fitting method (supplied separately) to connect the tubing supply and return lines to the manifold.

Note: Example at left shows a QS-style connection. For other fitting options, refer to the Radiant Ready 30E Installation Guide.

4. Fill and Purge

Connect the water supply to the supply manifold and connect the drain line to the return manifold. Ensure all isolation valves are open. Open the manual drain valve on the return manifold. Ensure the supply manifold valves are open. Turn each manifold valve clockwise until completely closed and then open one loop at a time to run water through and purge air from the lines. Run water approximately one minute per loop or until drain water is free of air bubbles.



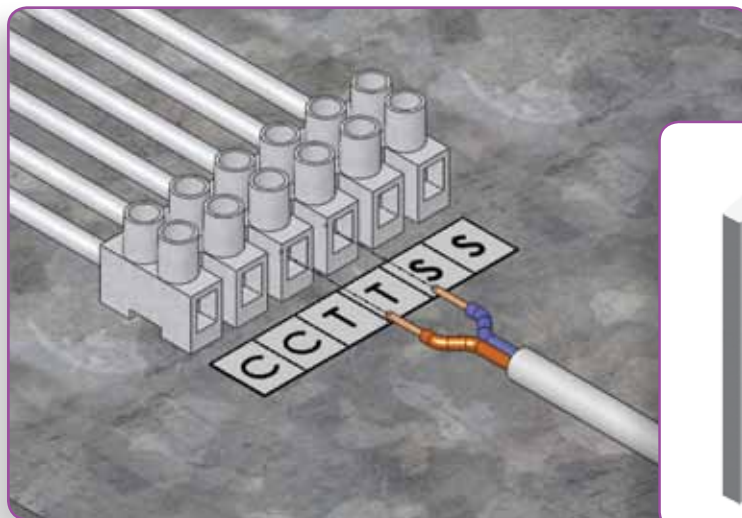


5. Connect Power

Use a strain relief to connect the power cable to the unit. Connect ground, L1, L2 and neutral wires.

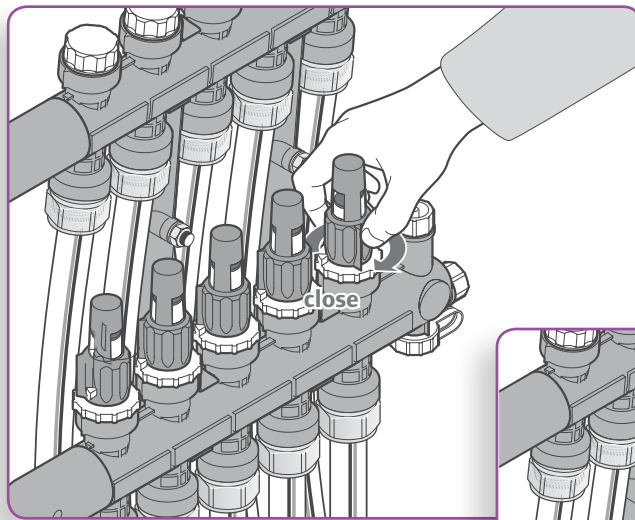
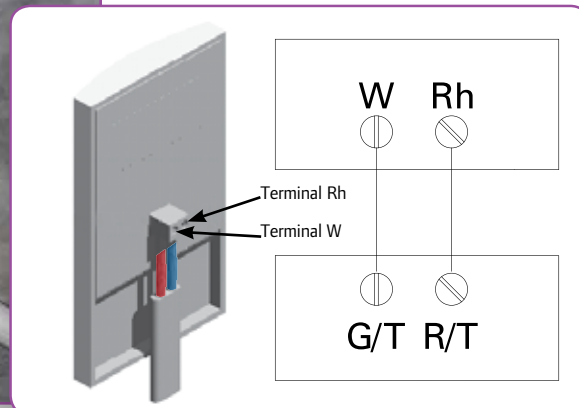
Note: All wiring must comply with electrical codes and standards.

Caution: Disconnect electrical power to the system to prevent electrical shock and damage.



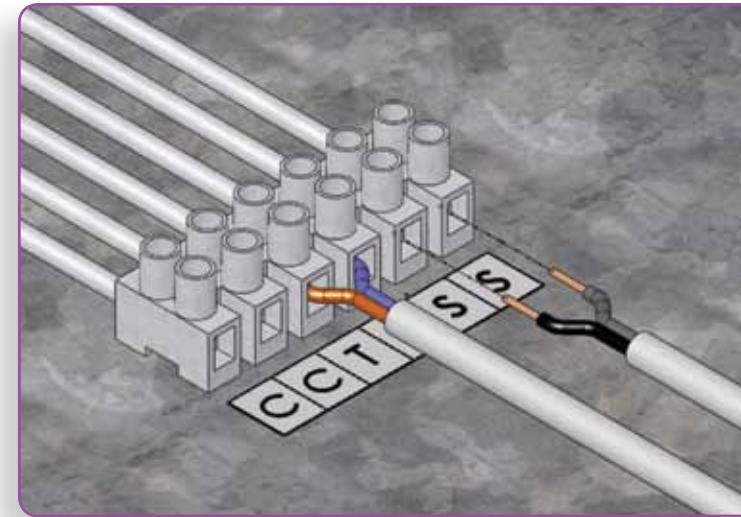
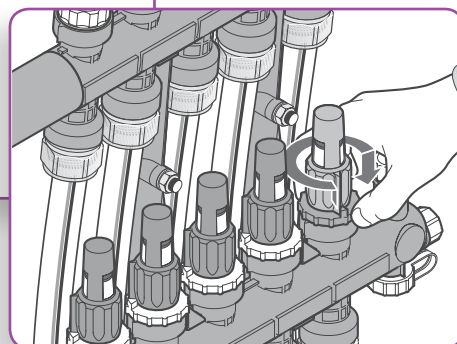
6. Wire the Thermostat

Connect both thermostat wires to the TT terminals on the unit.



7. Balance the Loops

Unlock and turn all manifold valves counterclockwise to fully open all loops. Manually adjust the thermostat to call for heat and activate the pump. Visually check the flow meters to ensure there is flow. Adjust all loops to correspond to the flow dictated by the system design by turning the individual valves clockwise.



8. Wire Outdoor Reset (Optional)

If using outdoor reset, wire outdoor sensor to the SS terminals on the unit.



9. Adjust Boiler Settings

The boiler can be configured for an output temperature between 85°F and 180°F (29°C and 82°C). Adjust the output targets by selecting an application icon and adjusting the corresponding temperature setting (refer to the Radiant Ready 30E Installation Guide for details on the application icons and corresponding temperature settings for each application). Enable outdoor reset by simply installing the outdoor temperature sensor (included with the unit) before powering the system on. When the system detects the sensor, the system will adjust its target temperature based on the outdoor temperature.



10. Ensure Proper System Operation

Manually adjust thermostat setting to create a call for heat.

- Verify boiler is operating.
- Verify pump is operating.
- Verify flow on visual flow meters.
- Verify temperature on supply tubing.

11. Adjust Thermostat Settings

Adjust thermostat to desired setpoint temperature.

For details on loop balancing, boiler control settings, customization options and troubleshooting guidelines, refer to the Radiant Ready 30E Installation Guide.