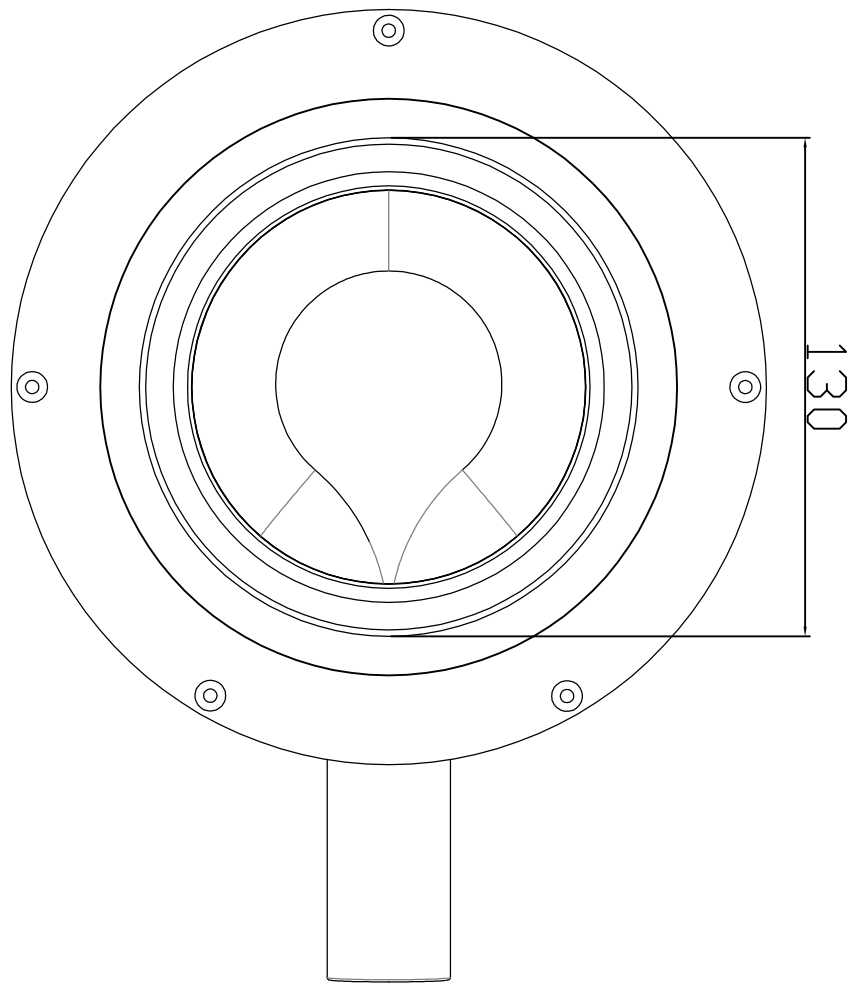
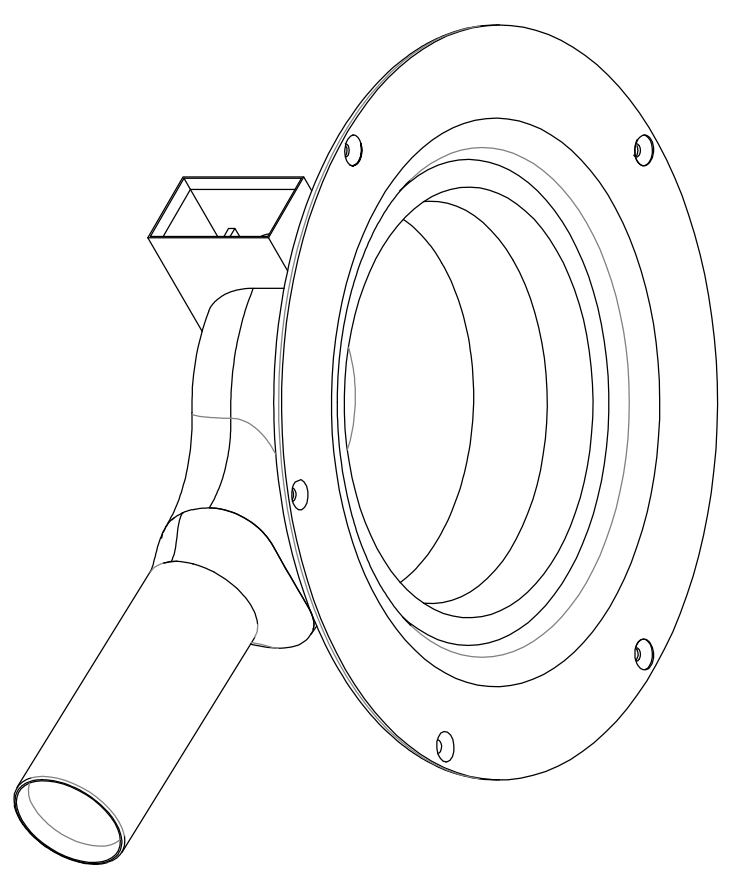
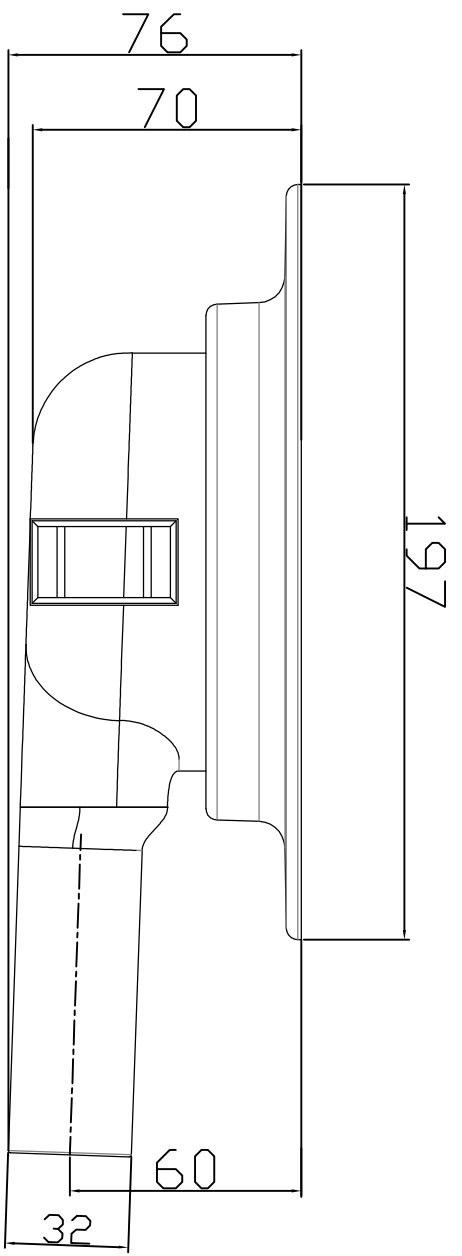


This document must not be copied without our written permission and the contents thereof must not be imparted to a third party nor be used for any unauthorized purpose, contravention will be prosecuted.



Uponor product number		Material	Color/finish	Drawing no.
<b>1093062</b>		PP	BLUE	00177031
Additional numbers		Scale	Drawn	NPd
<b>LVI 3311613</b>			Check,	01/2019
		Appr.		

Description	
DRAIN UNTRAPPED HORIZONTAL 32	
<p><b>Uponor</b> Infrastructure and Environment Europe Product Development</p>	

