

## Declaration of Conformity

Issuer's name and address: Uponor GmbH  
Franklinstr. 61-63, 60486 Frankfurt, Germany

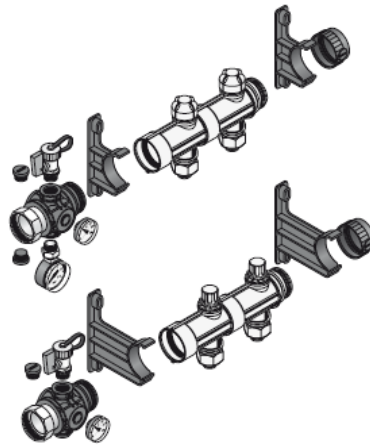
Product: Magna manifold

Type designation: 1045815 Uponor Magna manifold kit K1  
1045814 Uponor Magna manifold segment w. valve  
1045813 Uponor Magna manifold segment w. valve  
1058340 Magna manifold bayonet segment  
1058341 Uponor Magna manifold bayonet joint  
1030135 Uponor Magna ball valve, set  
1059436 Uponor Magna return valve inset  
1059437 Uponor Magna supply valve inset  
1045816 Uponor Magna manifold bracket kit  
1030134 Uponor Magna manifold flowmeter

### ■ Uponor Industrial Manifold Basic Kit

Uponor Industrial Manifold Basic Kit for assembly and mounting the Industrial manifold, consists of:

- 2 brackets short
- 2 brackets long
- 2 filling valves brass
- 2 thermometers 0 - 60°C
- 1 manometer
- 2 endcaps
- 2 flat sealing screw connection pieces with swivel nut
- 1 mounting material:
  - 8x screws 6x60mm
  - 8x plastic anchors 8x40mm
  - 2x flat sealings 44x32x2

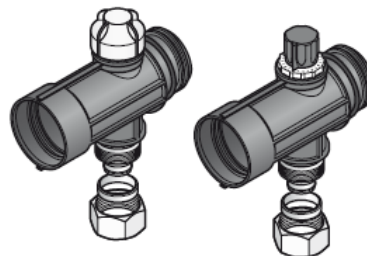


### ■ Uponor Industrial Manifold 25-G 11/2

Uponor Industrial Manifold 25-G 11/2 as supply and return for Industrial heating.

Consists of:

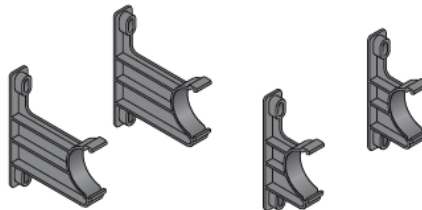
- **supply-segment with control valves for pre-adjustment, heating loop connection for PE-Xa Pipe 25x2,3 with compression adapter.**
- **return-segment with thermostat upper section incl. cap for locking. Uponor actuator can be mounted directly on the return manifold, heating loop connection for PE-Xa Pipe 25x2,3 with compression adapter.**



Spacing of outlet: 100 mm

## ■ Uponor Industrial Manifold Bracket Kit

Uponor Industrial Manifold Bracket Kit for mounting the Industrial manifold. Includes mounting materials.



## ■ Uponor Industrial Flowmeter

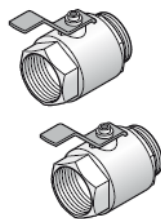
Uponor Industrial Flowmeter for adjusting the water quantity in the individual heating loops in a range of 4-20 l/min. Water quantity is indicated in the inspection window with shut-off function.



## ■ Uponor Industrial Ball Valve G11/2

Uponor Industrial Ball Valve G 11/2 for use with the Uponor Industrial manifold G 11/2 connection:

- G 11/2 FT
- G 11/2 MT



All products supplied by Uponor comply with the relevant national and European standards.

The quality is regularly controlled by Uponor quality assurance department in accordance with the requirements of the company quality management system and country specific required approval requirements.

The management system of Uponor meets the requirements of ISO 9001, 14001 and ISO 50001 and is certified by DNV.

This declaration is issued under the sole responsibility of the manufacturer.

Signed for and on behalf of the manufacturer by:

i.V. Thomas Raadts  
VP Product Marketing  
Frankfurt, 14.06.2021

i.V. Jürgen Hanneken  
Manager Quality  
Ochtrup, 14.06.2021