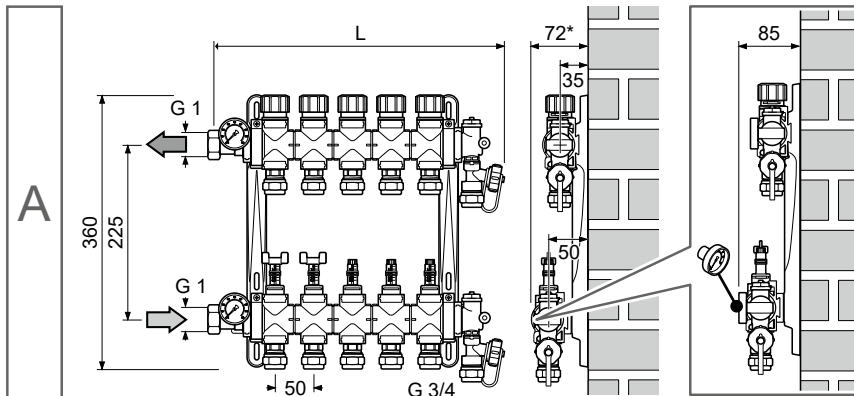
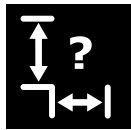
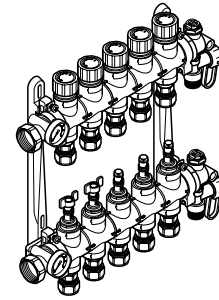
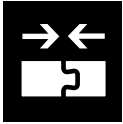
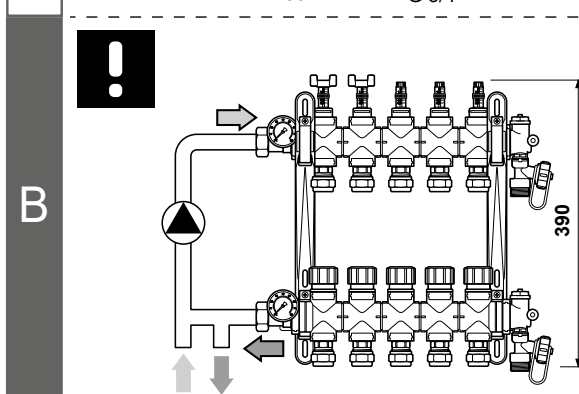


Uponor Vario M



n	L [mm]	n	L [mm]
2	220	9	570
3	270	10	620
4	320	11	710
5	370	12	760
6	420	13	810
7	470	14	860
8	520	15	910



$\vartheta_{\text{sec}} = 15 - 60^{\circ}\text{C}$



$P_{\text{max}} = 6 \text{ bar}$



$P_{\text{test}} = 10 \text{ bar}$



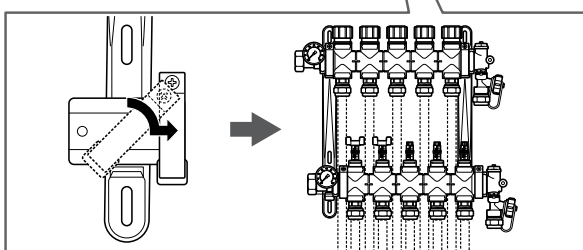
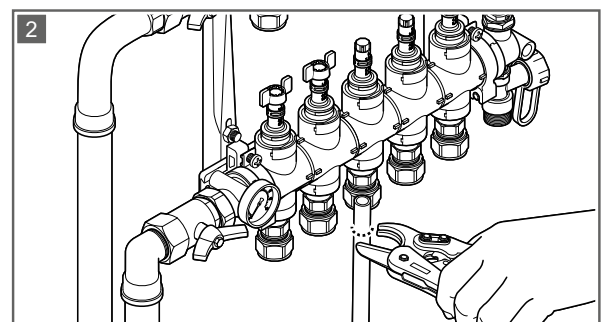
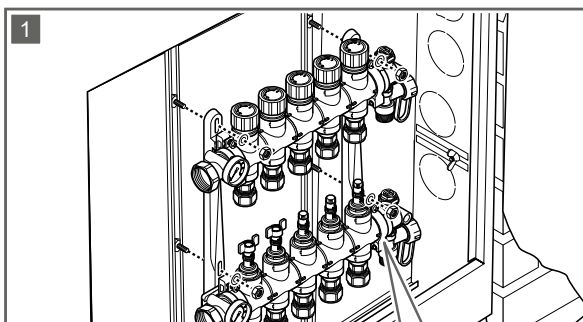
$kvs = 1,0 \text{ m}^3/\text{h}$

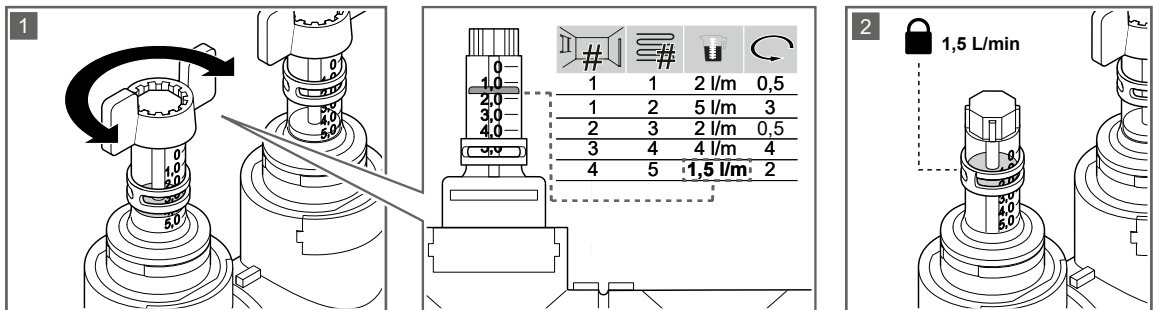
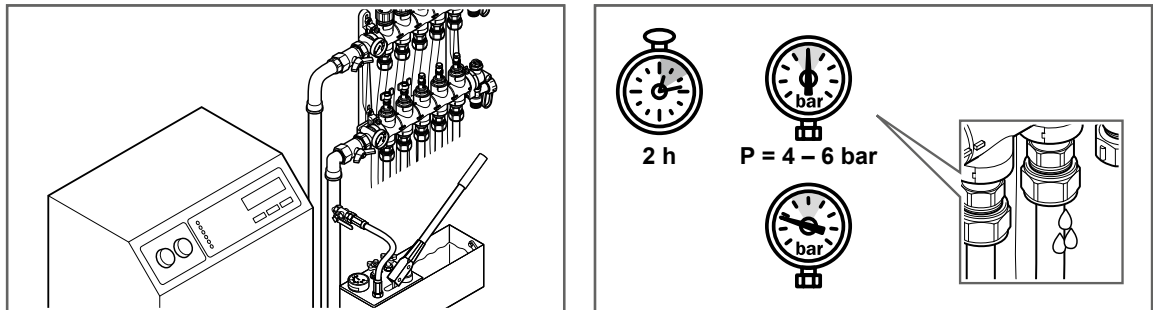
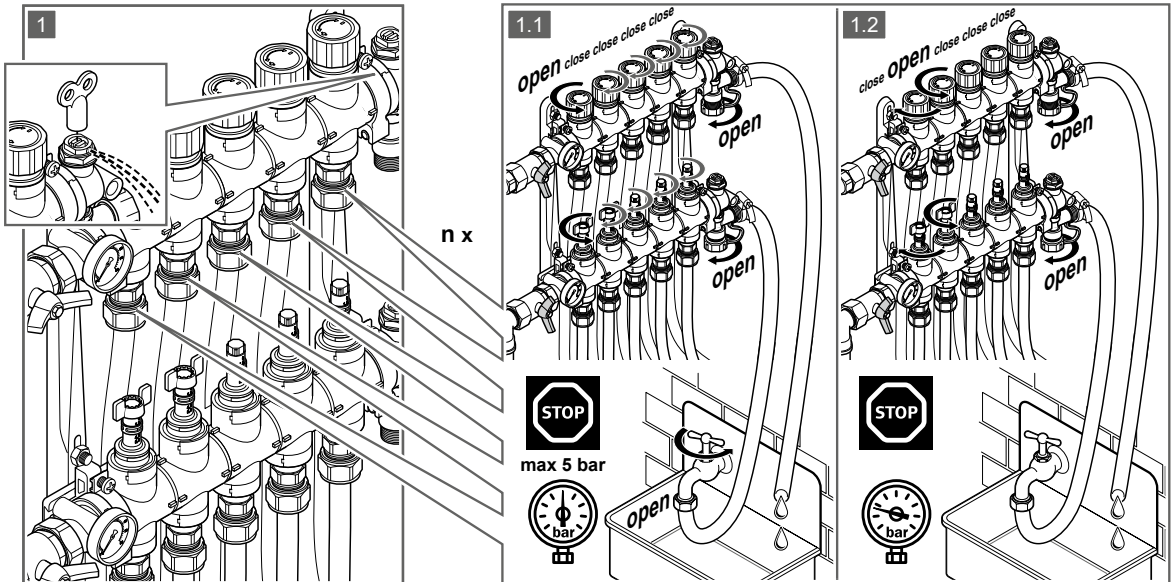
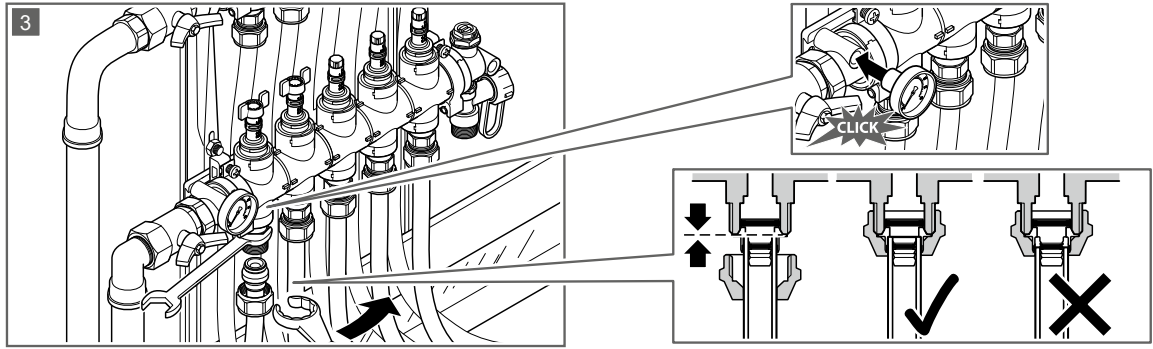


$kvs = 2,5 \text{ m}^3/\text{h}$



$\dot{V}_{\text{max}} = 3,5 \text{ m}^3/\text{h}$





Uponor GmbH

Industriestraße 56,
D-97437 Hassfurt, Germany

1087442 v3_03_2022_INT
Production: Uponor / SDE_FME

Uponor reserves the right to make changes, without prior notification, to the specification of incorporated components in line with its policy of continuous improvement and development.



www.uponor.com