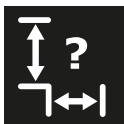
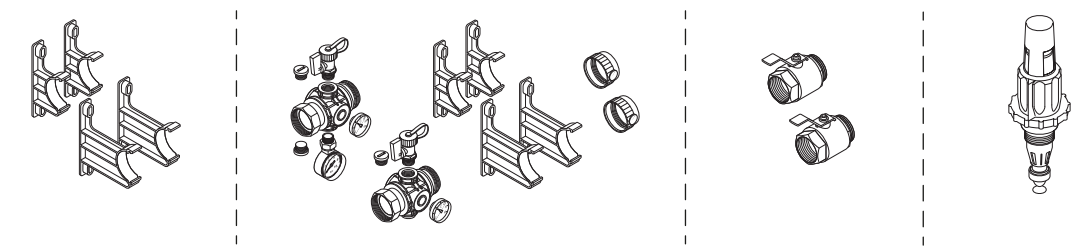
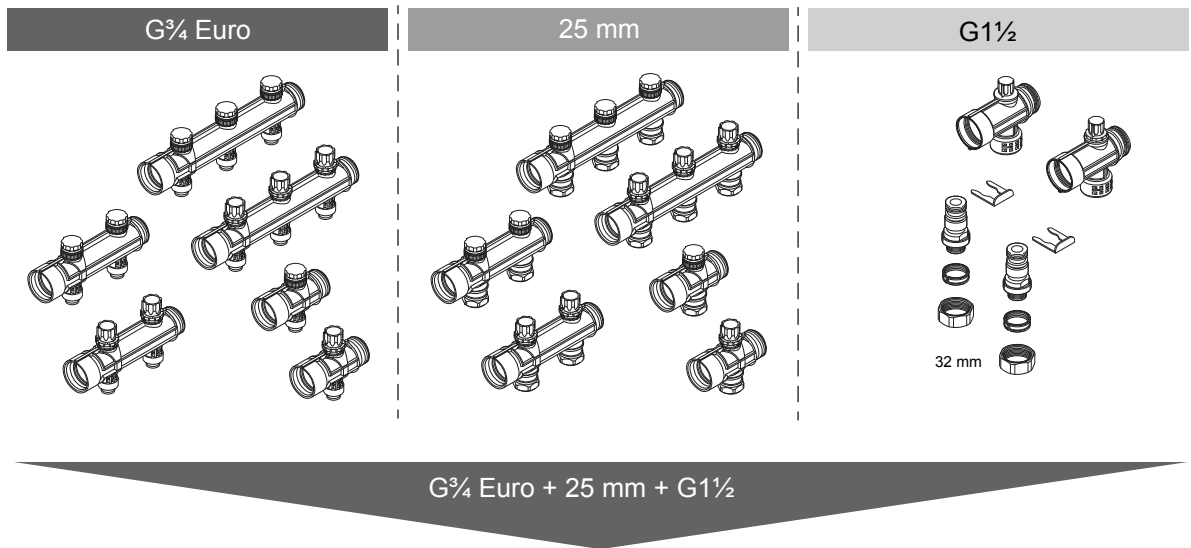
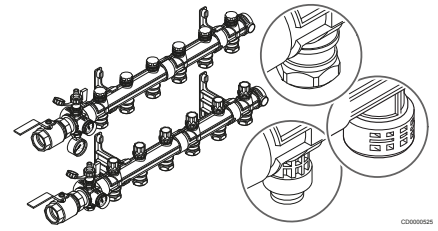
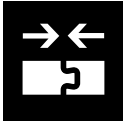
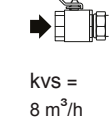
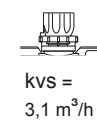
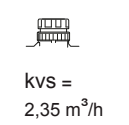
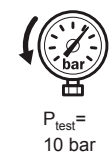
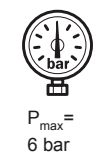
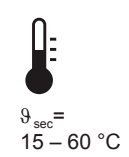
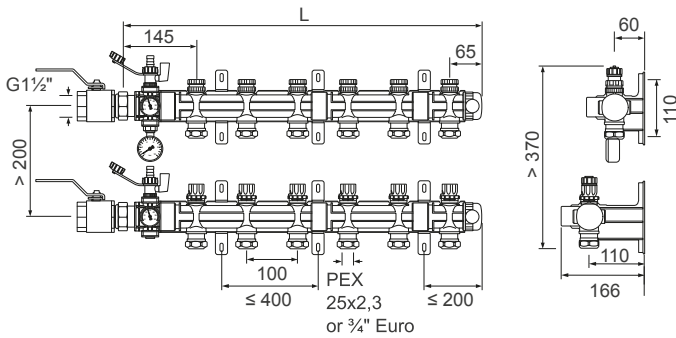


Uponor Magna industrial manifold

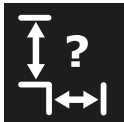


G $\frac{3}{4}$ Euro

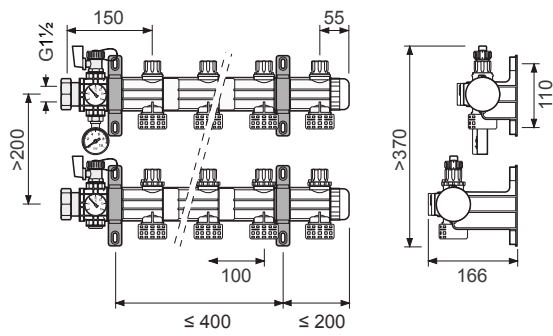
25 mm



	2	3	4	5	6	7	8	9	10	11
L [mm]	310	410	510	610	710	810	910	1010	1110	1210
	12	13	14	15	16	17	18	19	20	
L [mm]	1310	1410	1510	1610	1710	1810	1910	2010	2110	



G1½



$\vartheta_{sec} = 15 - 60\text{ }^{\circ}\text{C}$

$P_{max} = 6\text{ bar}$

$P_{test} = 10\text{ bar}$

$kvs = 3,6\text{ m}^3/h$

$kvs = 3,1\text{ m}^3/h$

$kvs = 8\text{ m}^3/h$

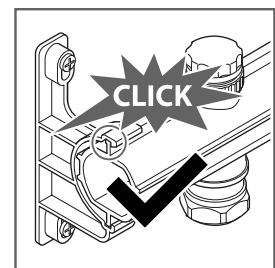
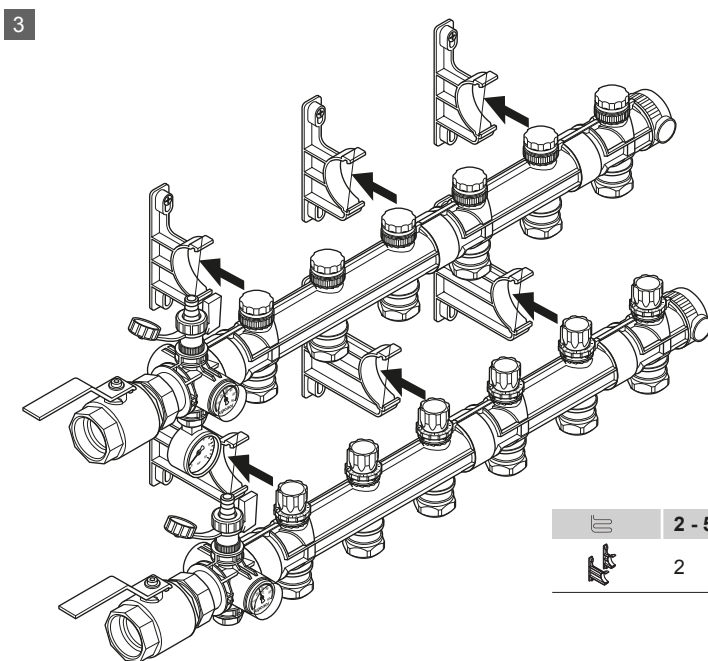
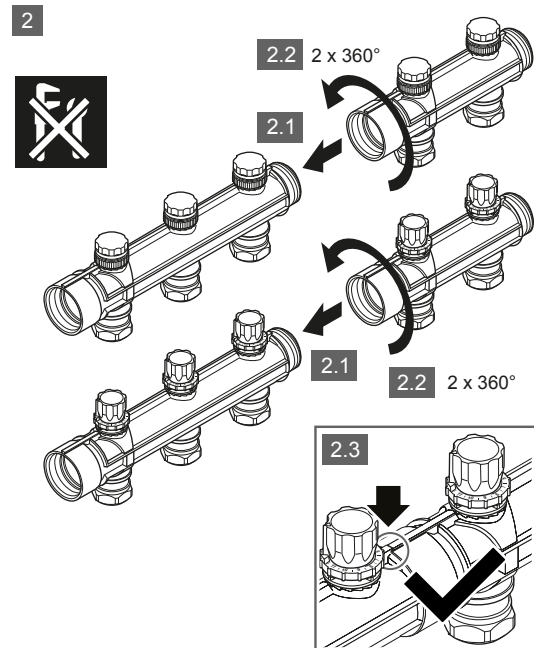
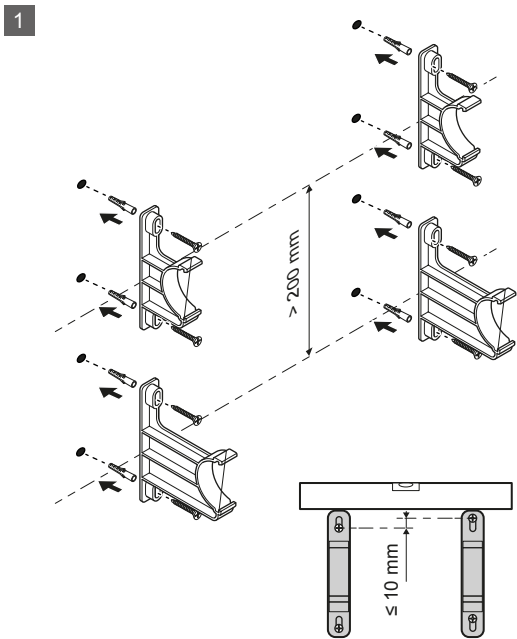
L [mm]	2	3	4	5	6	7	8	9	10
	310	410	510	610	710	810	910	1010	1110



G¾ Euro

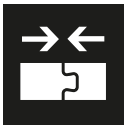
25 mm

G1½



	2 - 5	6 - 9	10 - 14	15 - 19	20
	2	3	4	5	6

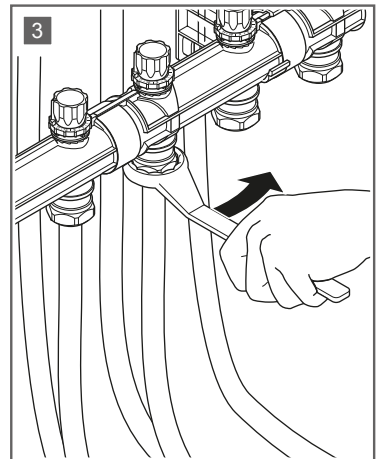
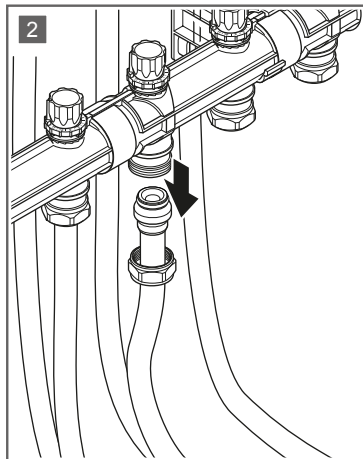
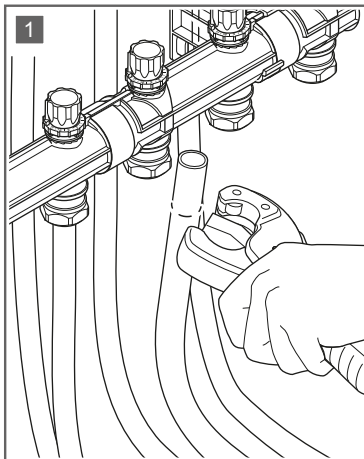
S10000496



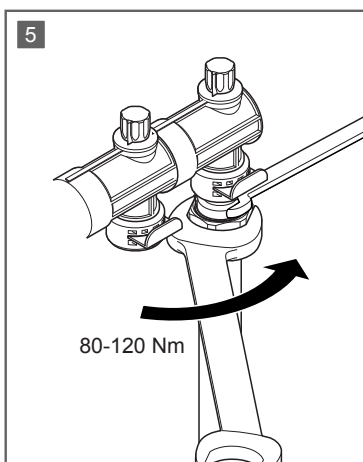
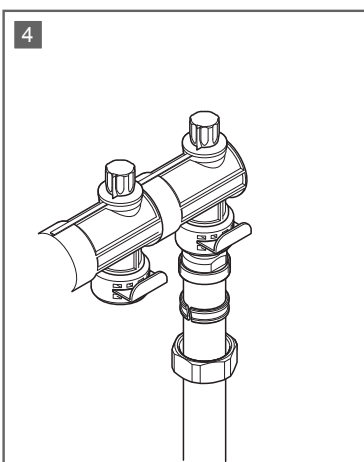
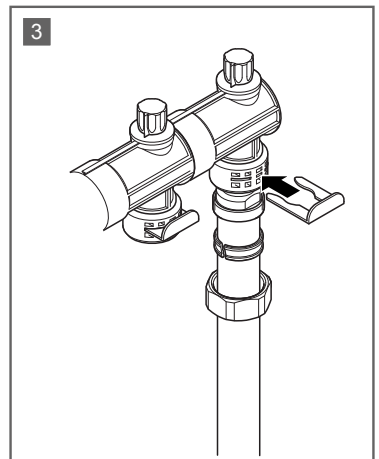
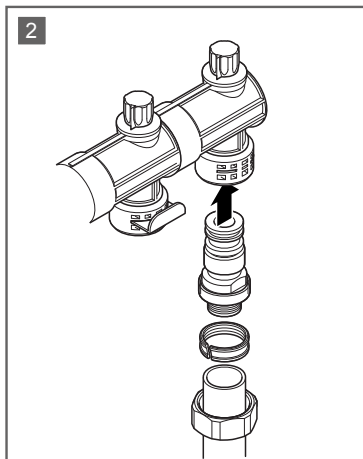
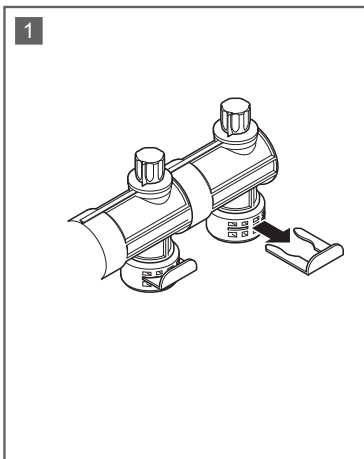
p = 0 bar

G³/₄ Euro

25 mm



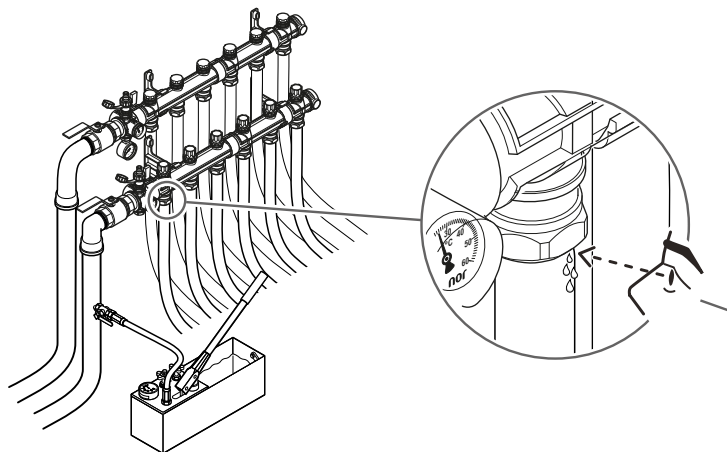
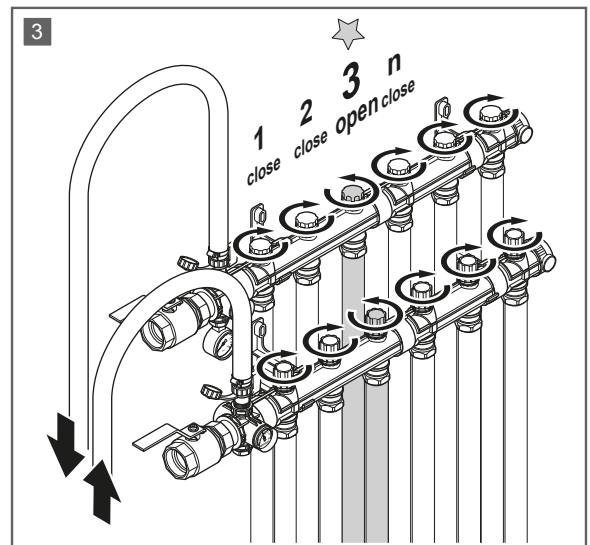
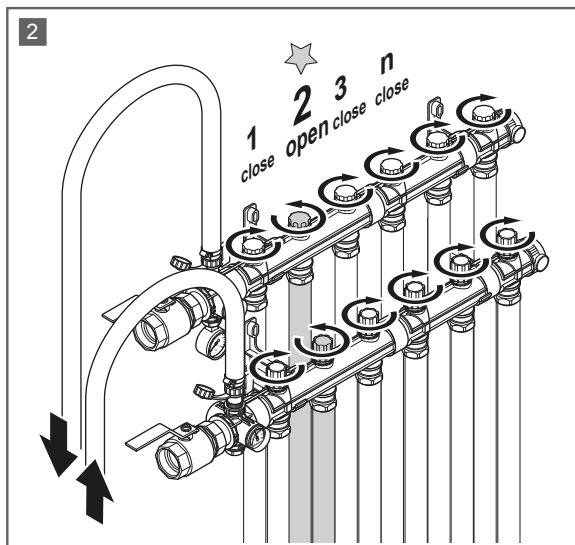
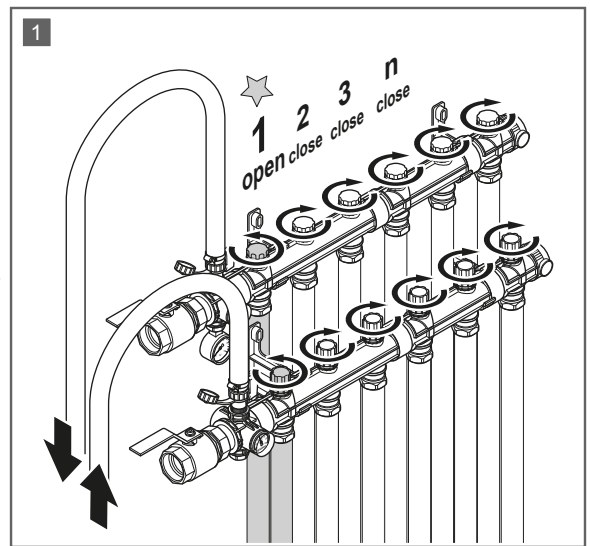
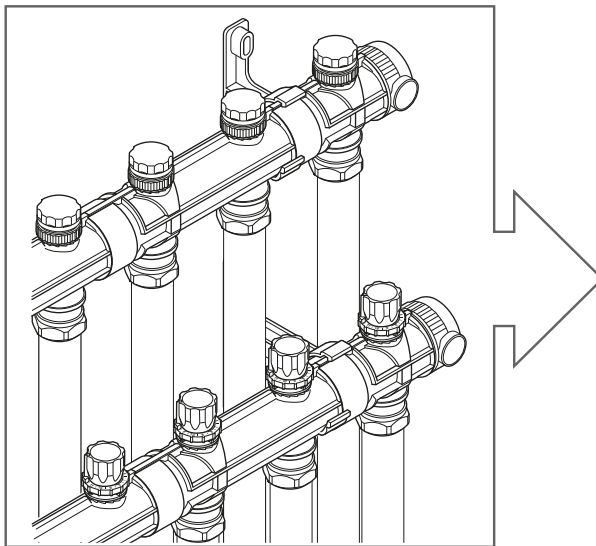
G1½



SI0000457



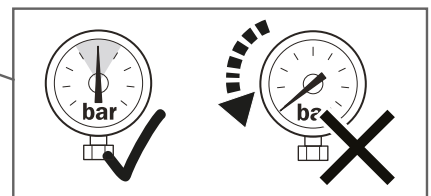
max 5 bar



P = 6 bar



2 h



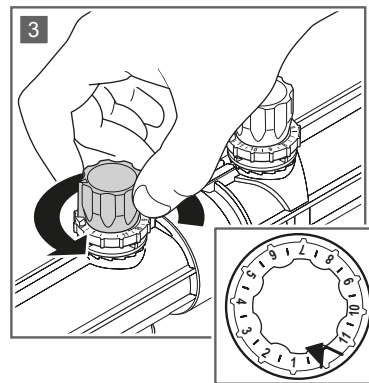
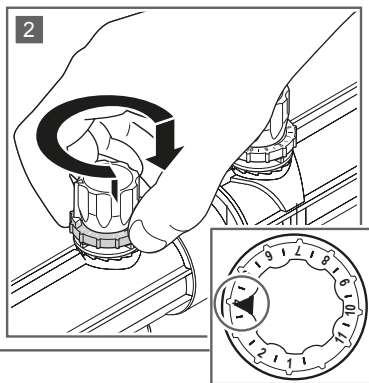
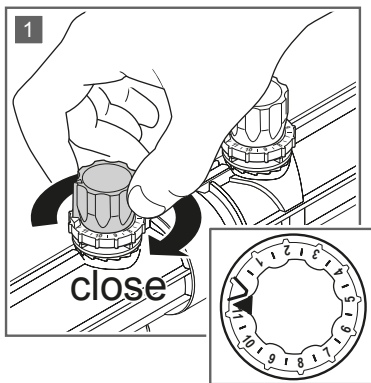
SI0000498



G^{3/4} Euro

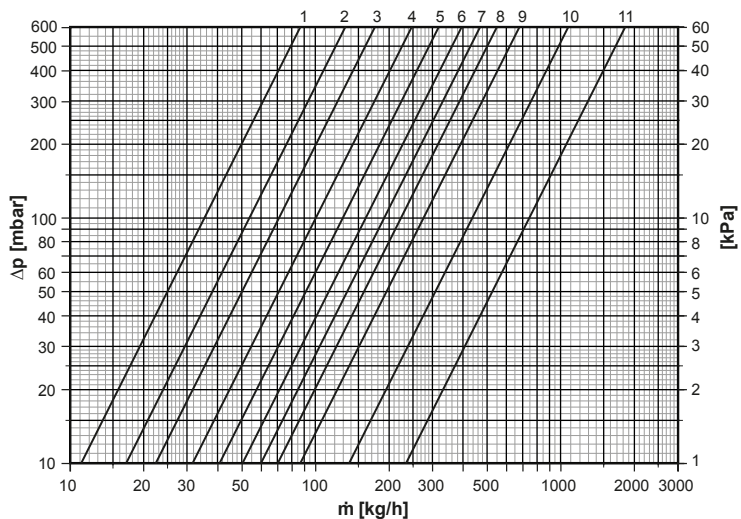
25 mm

G1^{1/2}

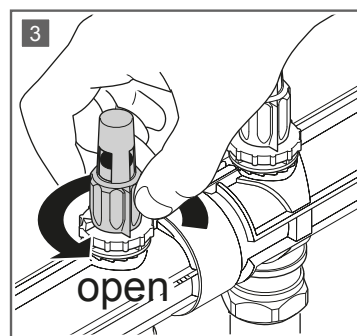
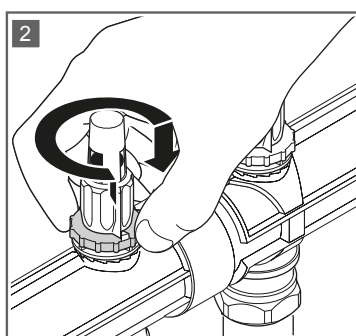
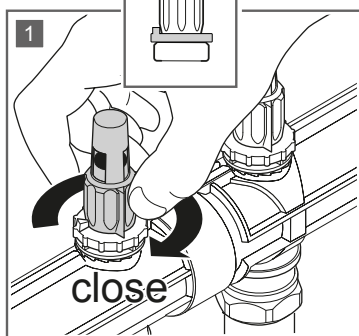
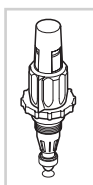
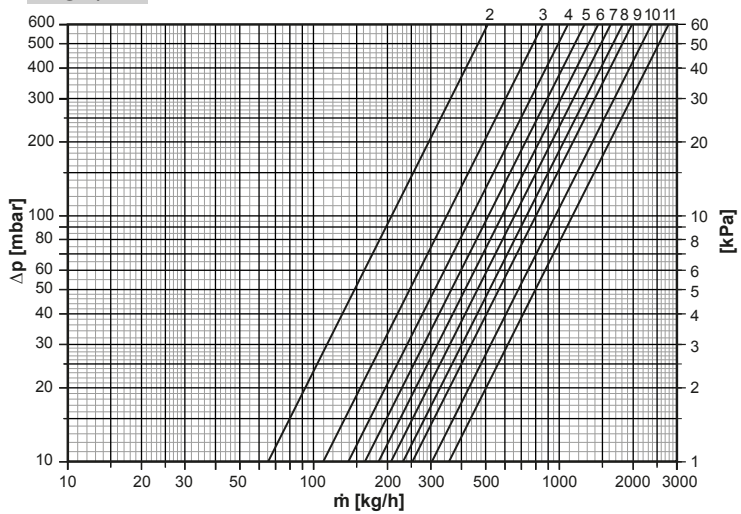


#	#	#	#
1	1	4	4
1	2	8	8
2	3	5	5
3	4	11	11
4	5	1.5	1.5

G^{3/4} Euro 25 mm



G1^{1/2}



S10000499

Uponor GmbH

Industriestraße 56,
D-97437 Hassfurt, Germany

1125858 v1_01_2022_INT
Production: Uponor/ELO

Uponor reserves the right to make changes, without prior notification,
to the specification of incorporated components in line with its policy of
continuous improvement and development.



www.uponor.com