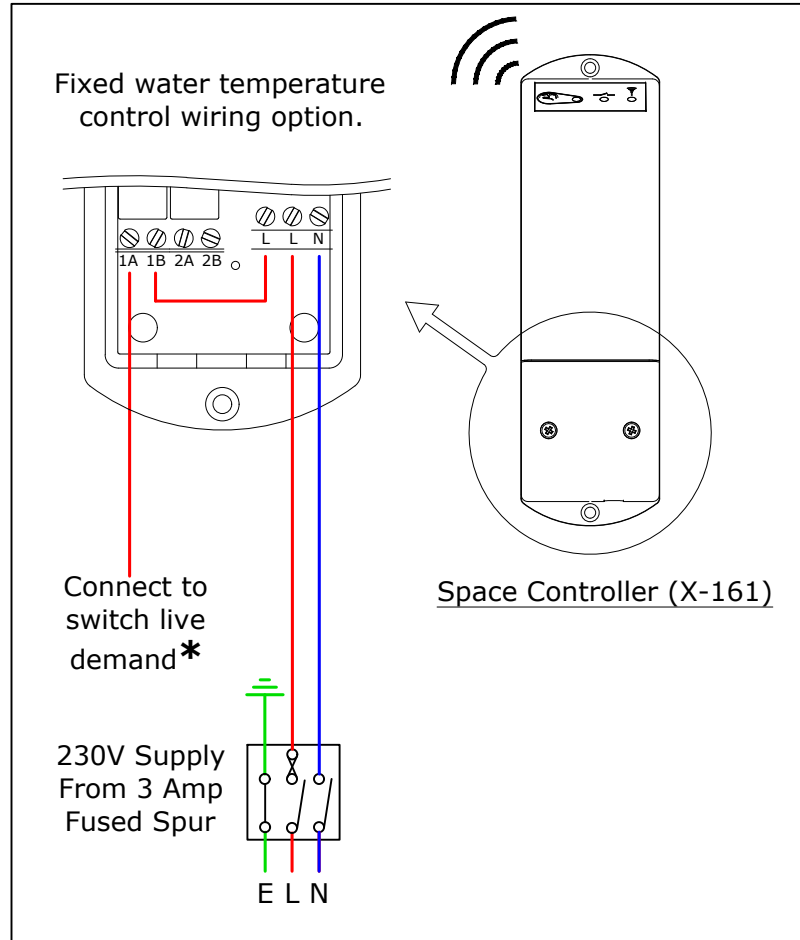
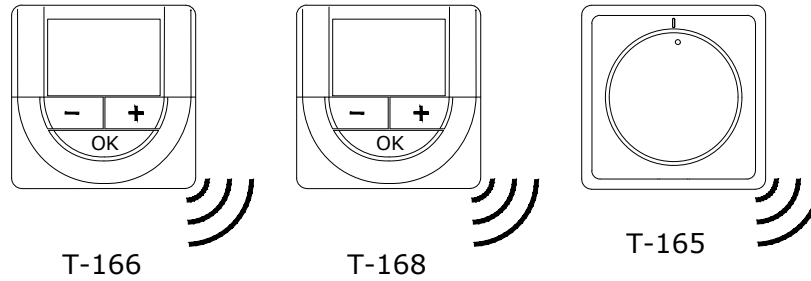


© Copyright Uponor Limited
 Copyright in this drawing belongs to Uponor Limited.
 This drawing may not be used, sold, licensed,
 transferred, copied or reproduced in whole or in part or
 in any manner or form other than with the prior written
 consent of Uponor Limited.

Thermostats



Uponor

Electrical Schematic
 Smatrix Space (Radio)
 Ref: SS-1.0A

* Switch live demand is continued on the mechanical schematic or the Smatrix MOVE electrical schematic, if used.

Note:
 The Uponor 24V actuators, shown on the mechanical schematics, are not required for a single zone system.

Uponor reserve the right to alter specifications and operating parameters for all their systems at any time as part of their policy of continuous product development.