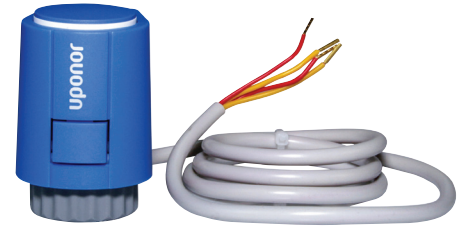


# Thermal Actuator Instruction Sheet For Radiant Heating and Cooling

The Uponor Thermal Actuator, four-wire (A3023522) features a low, 1-watt power consumption and includes three adapter rings for compatibility with the following manifolds.

- > Engineered Polymer (EP) Heating Manifold
- > Stainless-Steel Manifold
- > TruFLOW™ Jr. Manifold
- > TruFLOW Classic Manifold



Thermal Actuator with adapter ring

## Adapter Rings



A2671300 (EP Heating Manifold Adapter Ring)

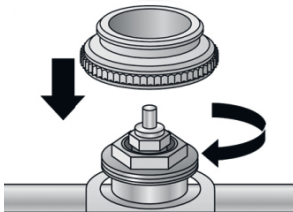


A2771060 (Stainless-Steel Manifold Adapter Ring)

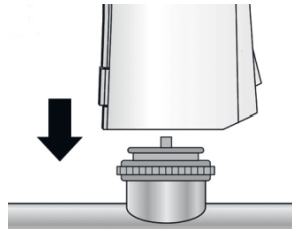


A2870100 (TruFLOW Manifold Adapter Ring)

## Actuator Installation



1. Thread the adapter ring onto the valve

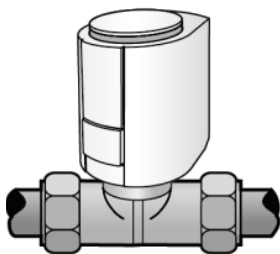


2. Place the actuator vertically on the adapter ring.

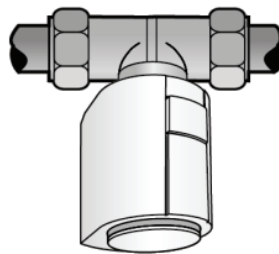


3. Press down vertically and snap the actuator onto the adapter ring.

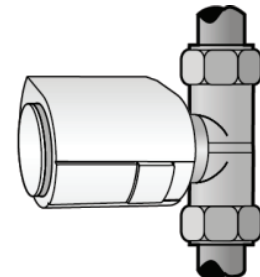
## Actuator Mounting



Vertical



Vertical (inverted)

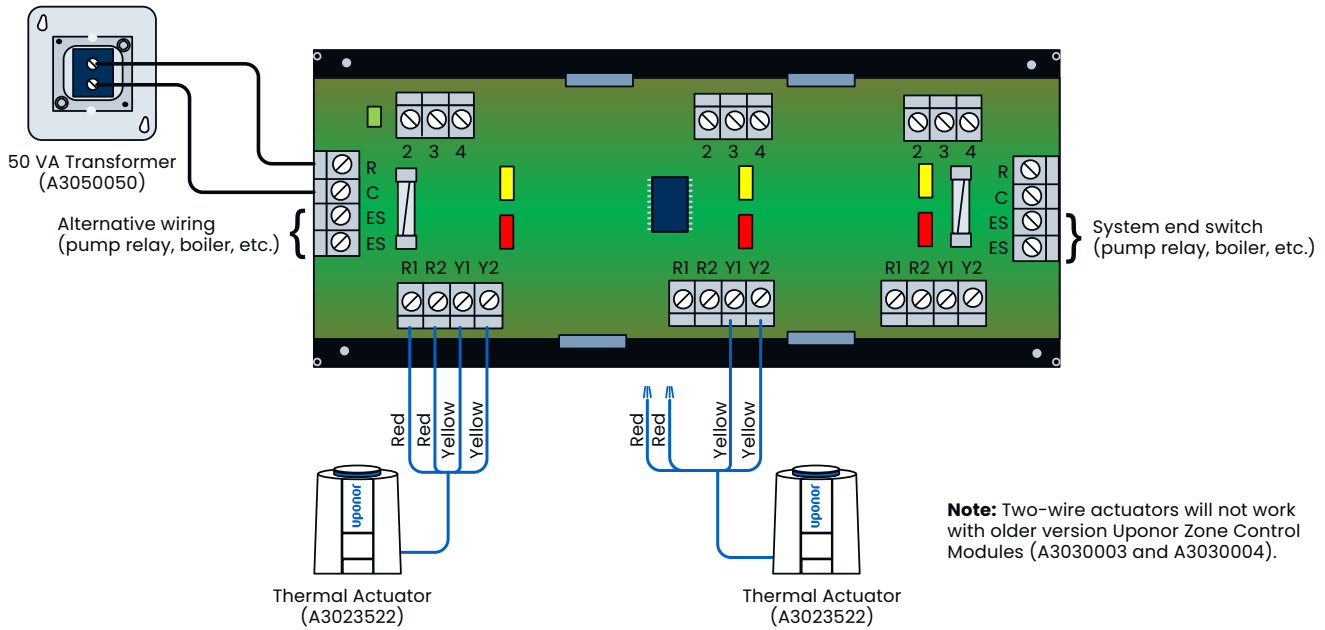


Horizontal

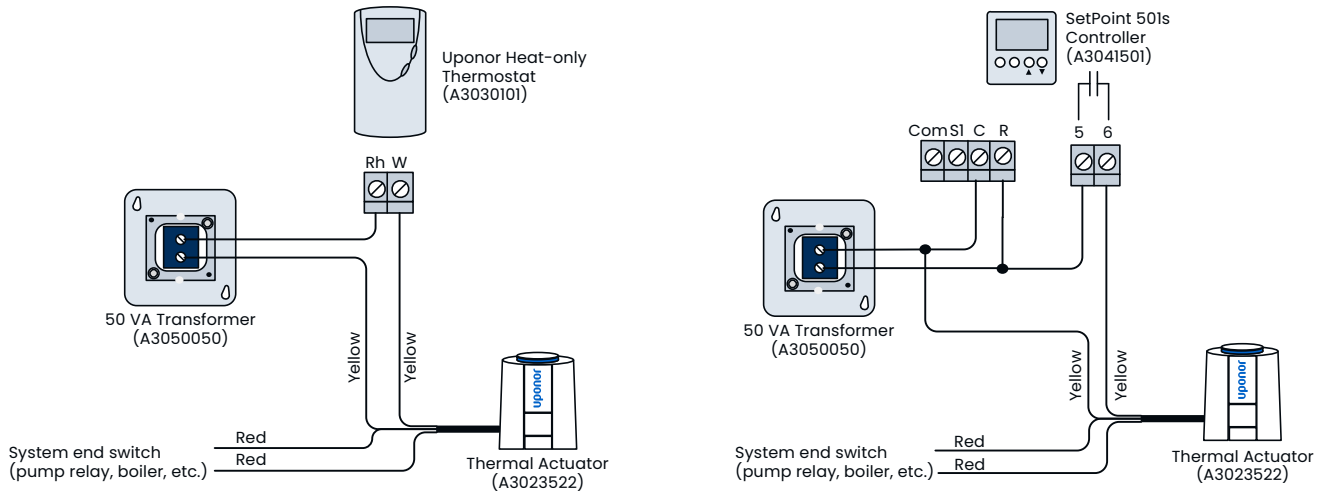
Install the actuator vertically or horizontally as shown above.

**Note:** The actuator is shipped locked partially open. To unlock, apply power for a minimum of 6 minutes. Failure to do so will allow flow through the loops.

# Actuator Wiring Instructions to Uponor Zone Control Module (A3031003 or A3031004)



# Actuator Wiring Instructions to Uponor Heating Thermostats



## Specifications

**Operating voltage:** 24V AC/DC 60Hz

**Operating power:** 1.0w

**Maximum inrush current:** 200 mA for max. 2 min

## End Switch

**Switching current:** 24 vac 0.5A

**Ambient temperature:** 32°F to 140°F (0°C to 60°C)

**Storage temperature:** -13°F to 140°F (-25°C to 60°C)

**Uponor Inc.**  
5925 148th Street West  
Apple Valley, MN 55124 USA  
T 800.321.4739  
F 952.891.2008

**Uponor Ltd.**  
6510 Kennedy Road  
Mississauga, ON L5T 2X4 CANADA  
T 888.994.7726  
F 800.638.9517

**uponor**  
Moving > Water