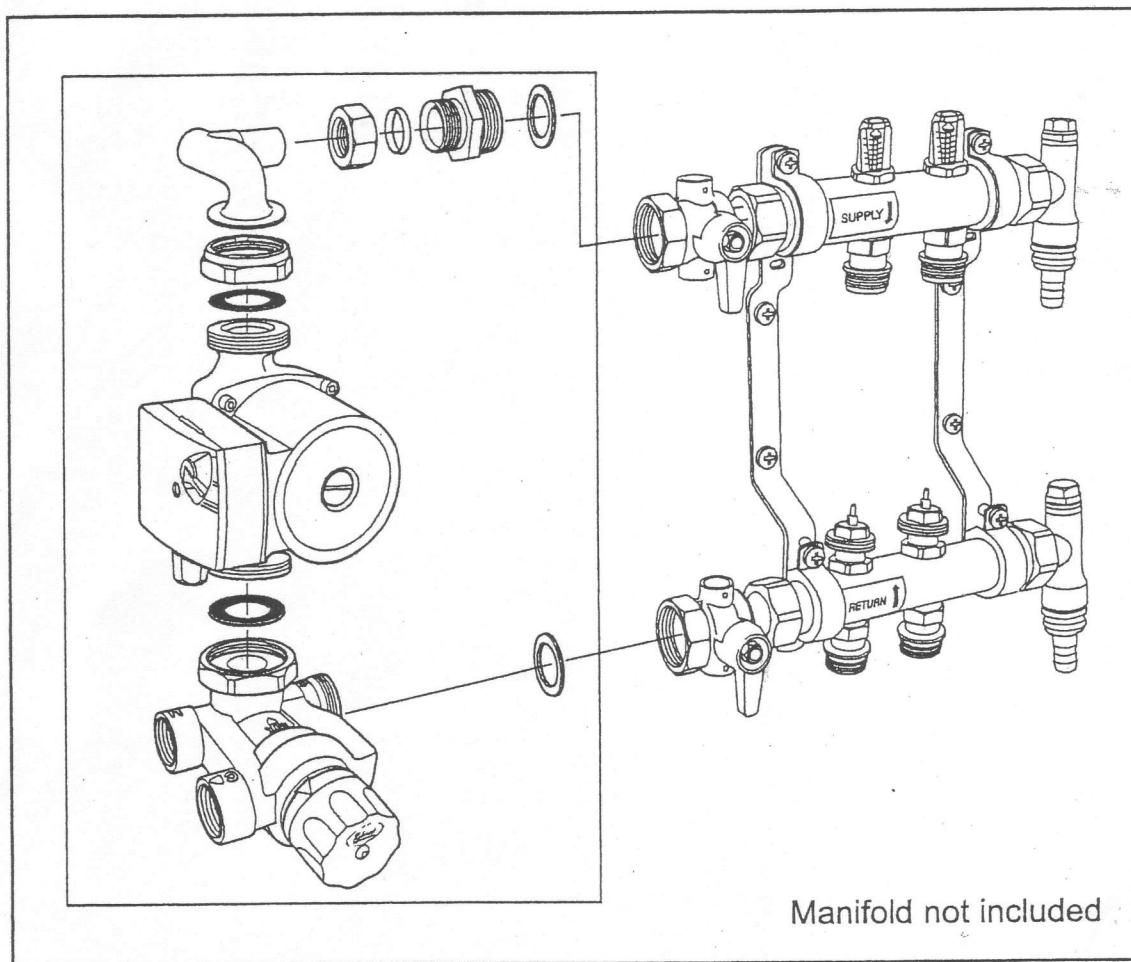




# Underfloor Heating Manifold Control Pack

## Installation Instructions



The Manifold Control Pack provides temperature controlled mixed water to an underfloor heating system with a heat output up to 14kW.

---

## **Section 1 - Introduction**

---

### 1.1.

The Manifold Control Pack is a modular unit suitable for the control of underfloor heating systems with a heat output of up to 14kW.

### 1.2.

Designed to work with manifolds of all types on 210mm centres. The Manifold Control Pack is a bolt on unit providing a quick and simple system to install.

---

## **Section 2 - Installation**

---

### 2.1.

Before beginning the installation of the Manifold Control Pack, identify all of the components in the pack. Section 6 details the pack contents.

### 2.2.

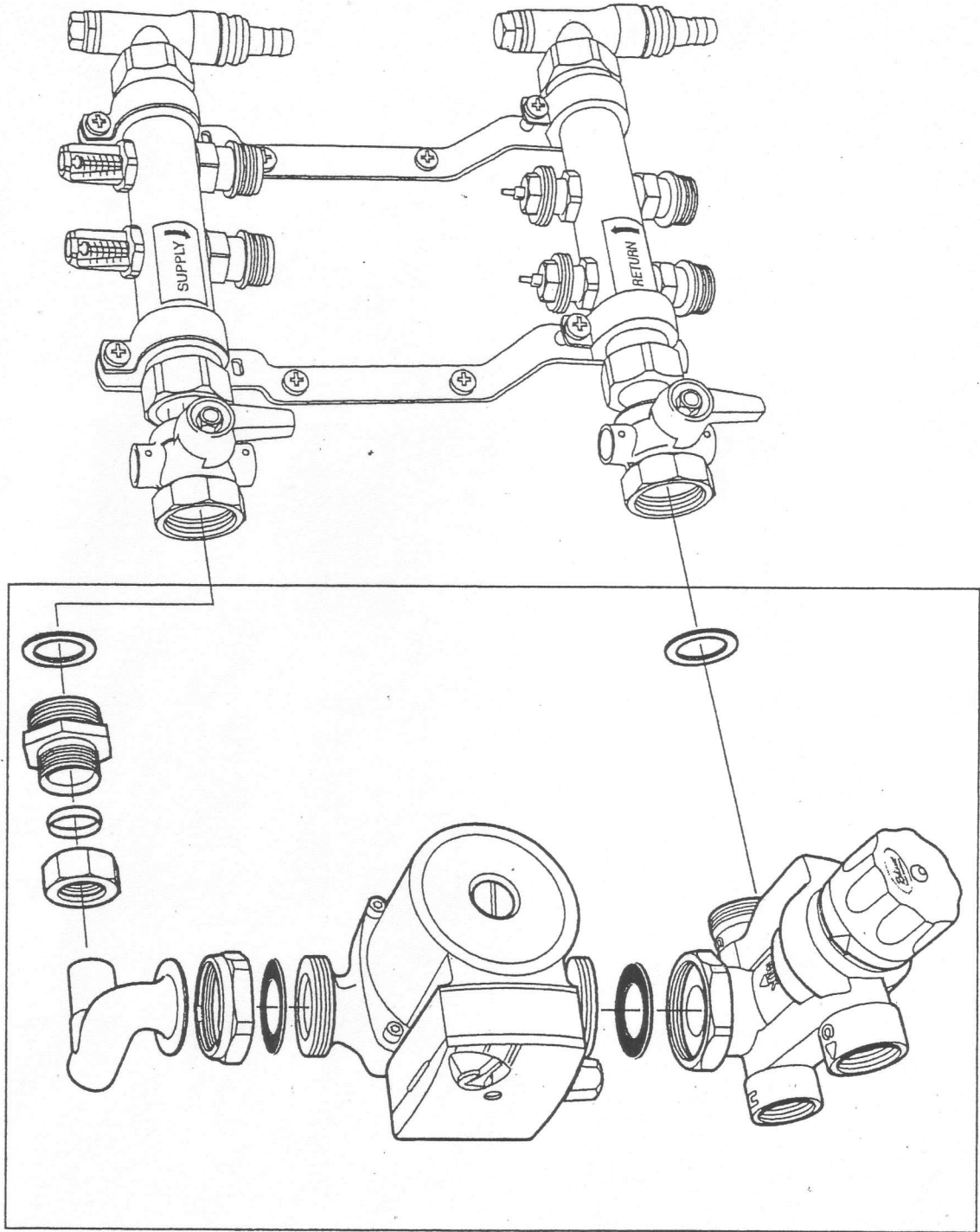
Remove the ball valve from the manifold and assemble to the Thermomix UFH Valve, remembering to insert the fibre washer. With the manifold fitted to the wall, fit the ball valve and Thermomix UFH Valve to the return on the manifold.

### 2.3.

Remove the ball valve and fit the 1" MBSP \* 22mm compression fitting (with fibre washer) and elbow. Then refit to the supply side of the manifold.

### 2.4

Now fit pump and 1.1/2" rubber washers and tighten pump union nuts.



---

## Section 3 - Wiring

---

3.1.

A fused spur should be provided adjacent to the manifold to provide power to the pump and two port zone valve if fitted.

3.2

To comply with IEE regulations, the pump on the Manifold Control Pack **must** be provided with an earth. All wiring should be undertaken by a qualified installer and **must** conform to IEE regulations.

---

## Section 4 - Settings

---

4.1.

The mixing valve supplied as part of the Manifold Control Pack has a temperature setting range as detailed below.

Min  
40°C  
45°C  
50°C  
55°C  
60°C  
Max

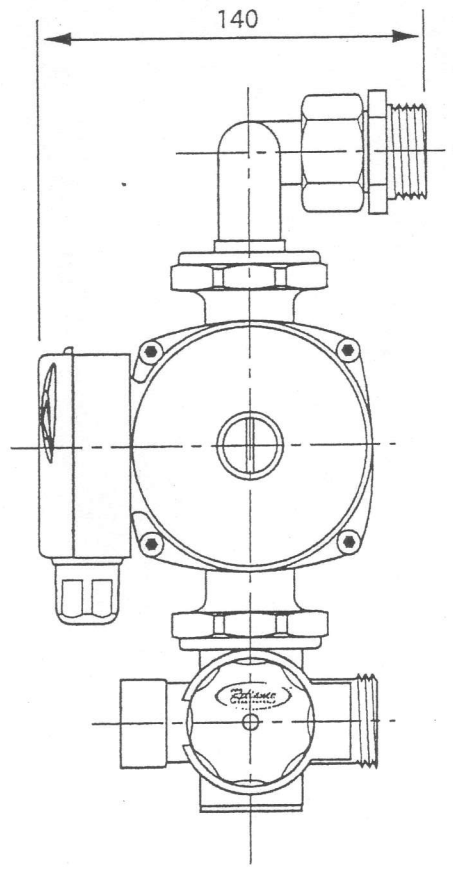
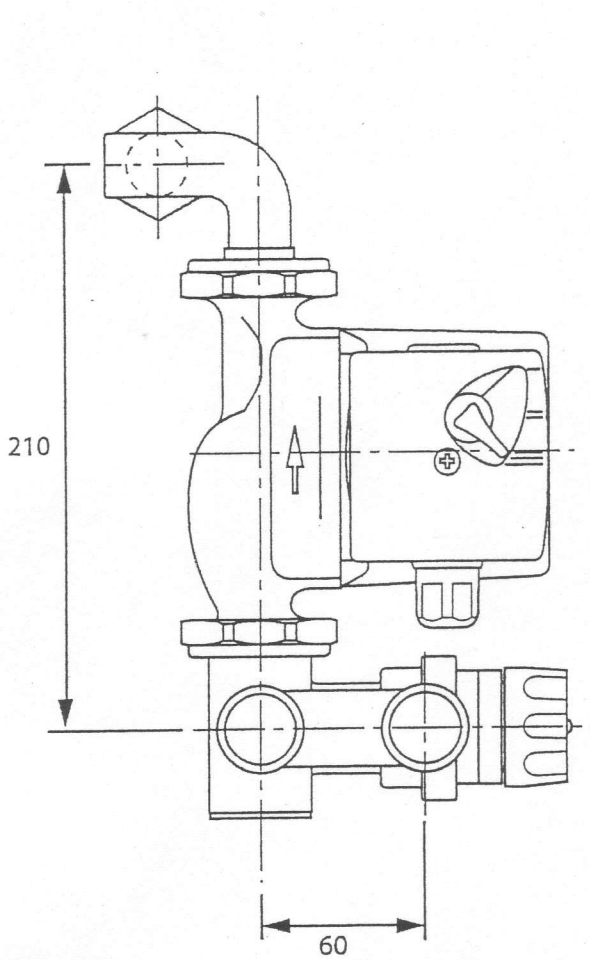
The temperature control is factory set in the adjustable position and at the minimum temperature (35°C)

---

---

## Section 5 - Dimensions

---



All dimensions in mm  
unless stated



---

## Section 6 - Pack Contents

---

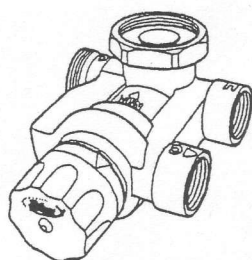
PLEASE CHECK CONTENTS OF PACK BEFORE BEGINNING  
INSTALLATION. .

### Description

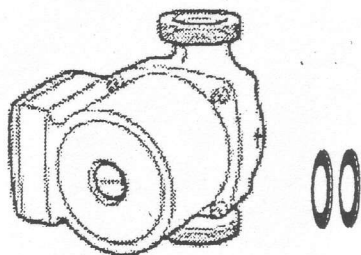
Manifold Control Pack Complete

### **Contents**

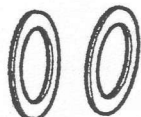
ThermoMix UFHL Valve



Grundfos 15/60 pump including rubber washers

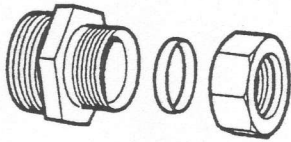


1" Fibre washers x 2

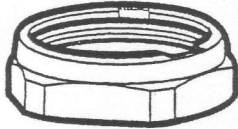


---

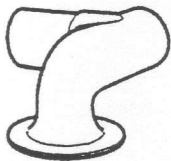
1"MBSP\*22mm Adaptor



Pump nut



Connection elbow



Installation Instruction booklet



FLOOR HEATING & COOLING SYSTEMS

---

**Tel: +44 (0) 1484 860 811**

**Fax: +44 (0) 1484 865 775**

**[www.velta-uk.com](http://www.velta-uk.com)**