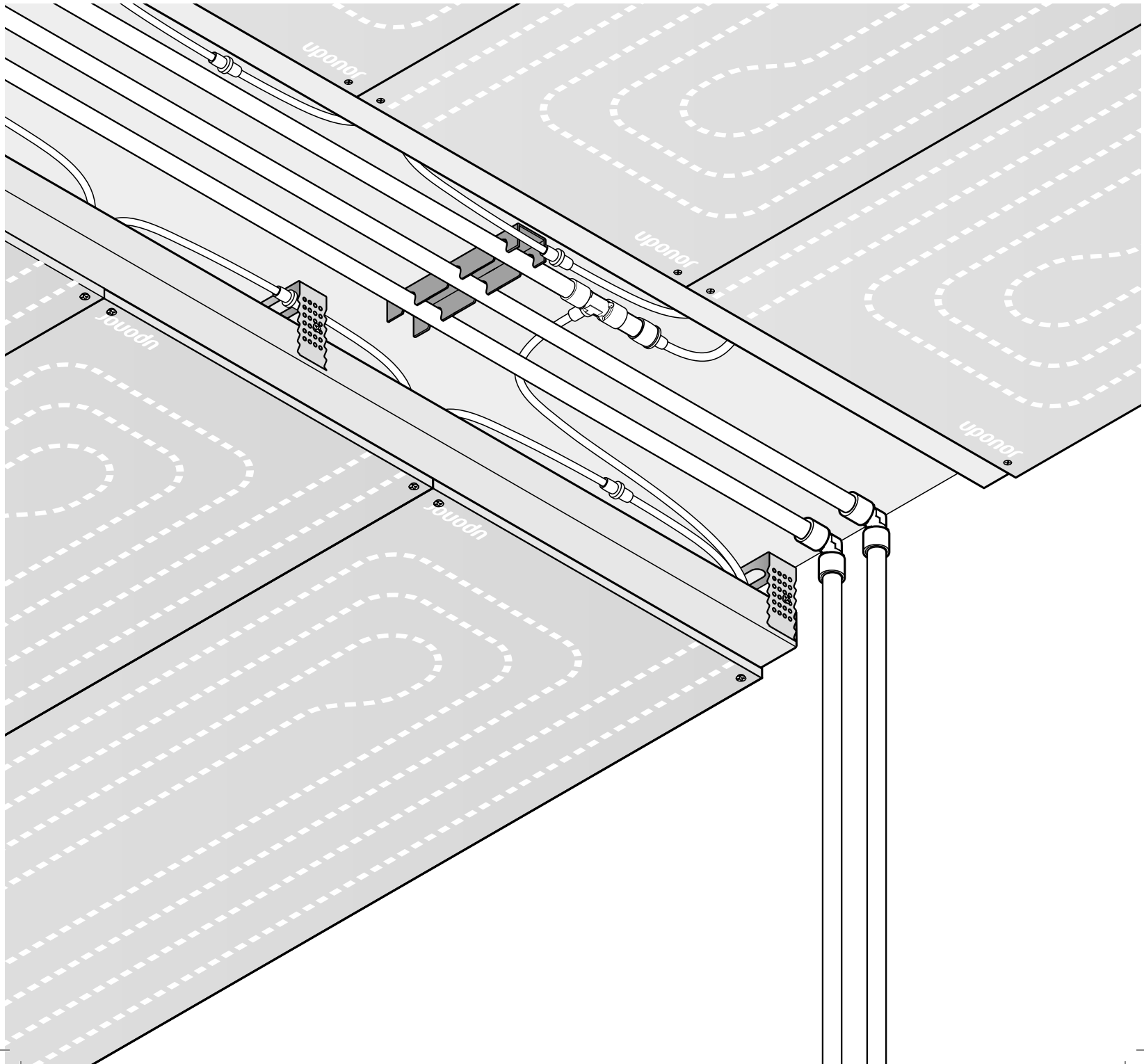
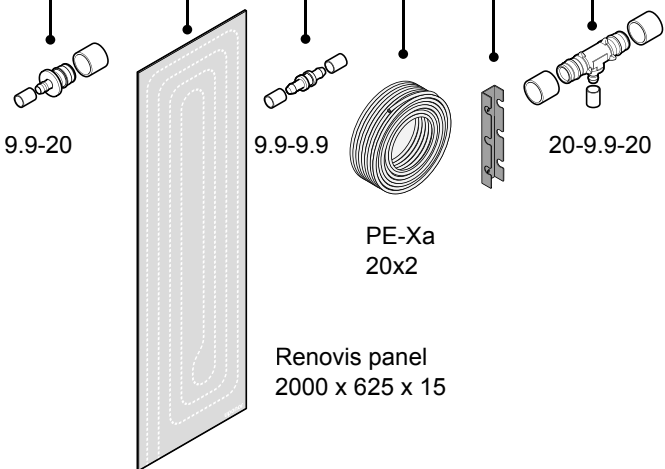
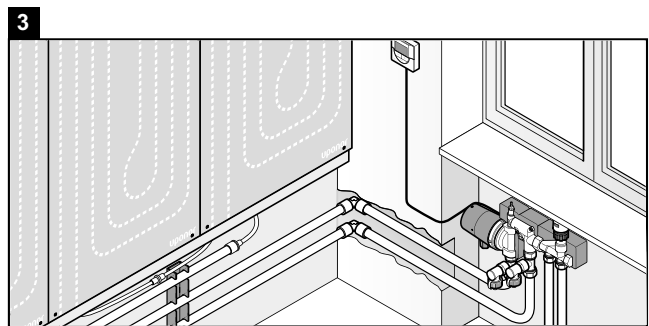
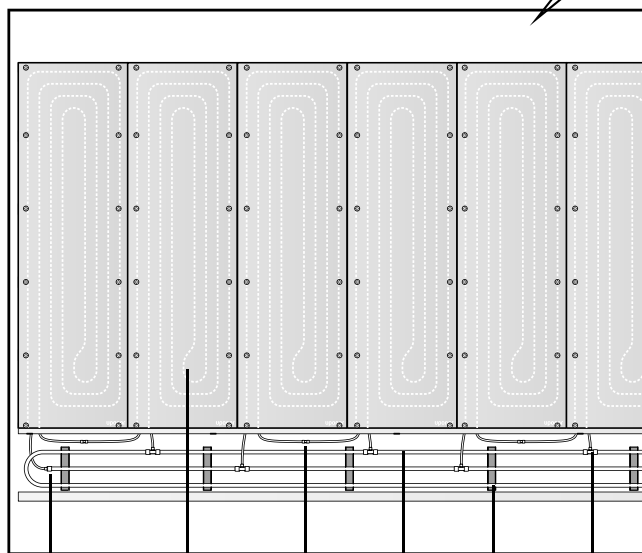
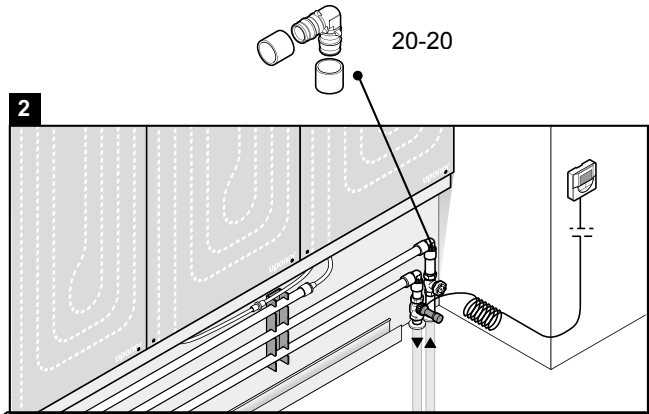
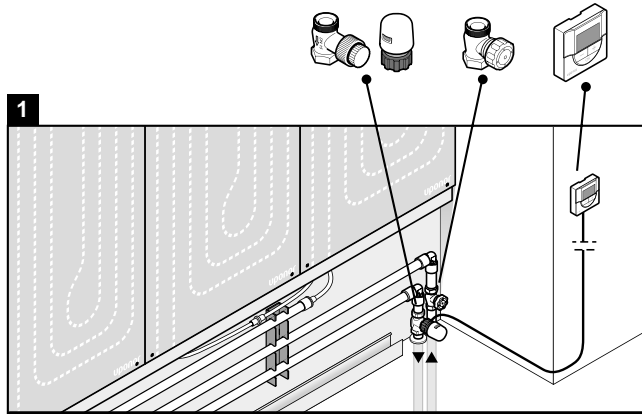
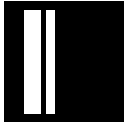
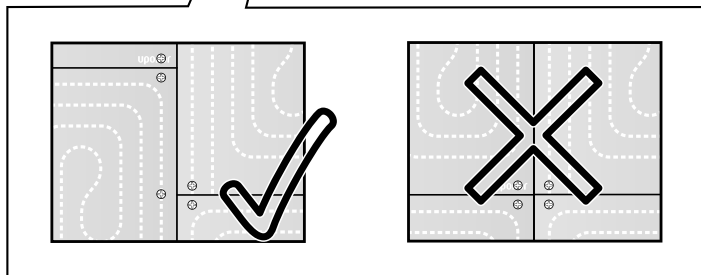
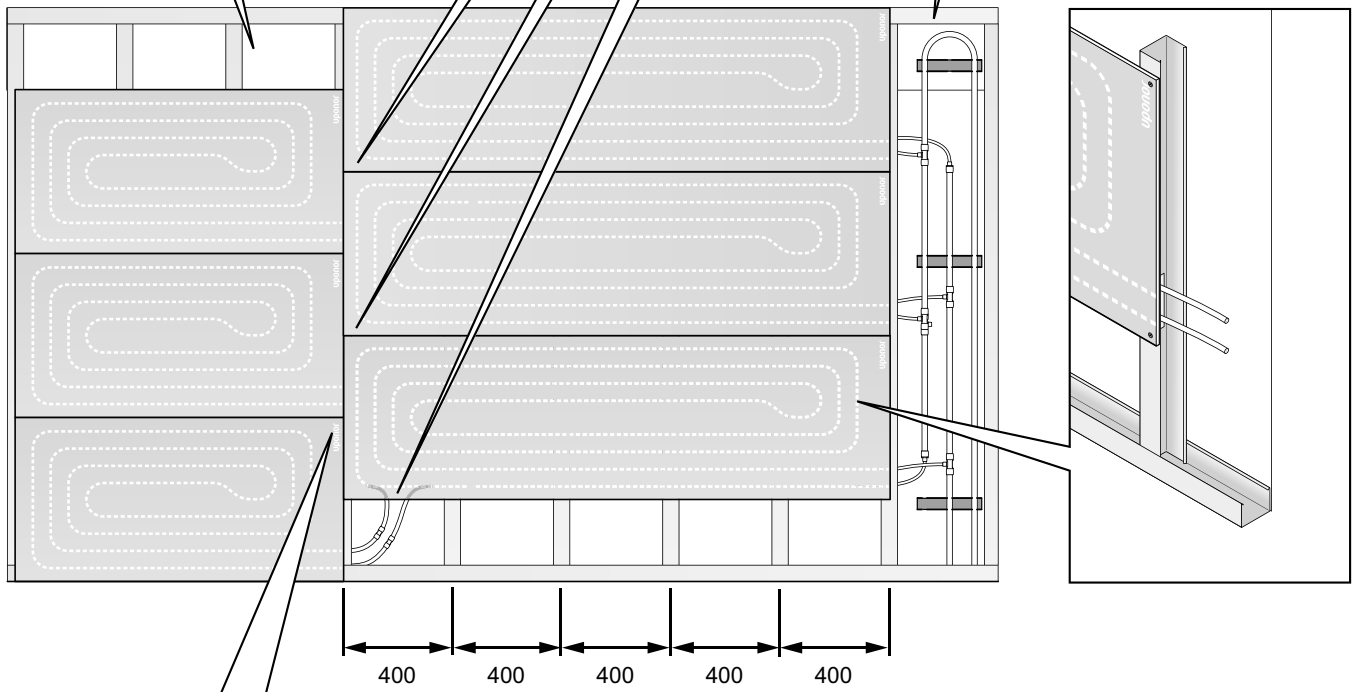
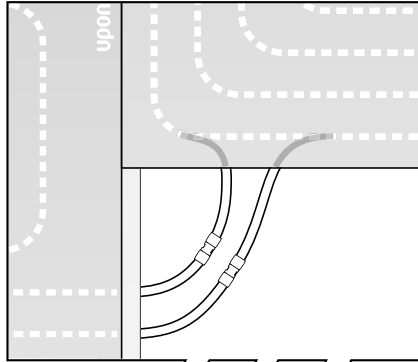
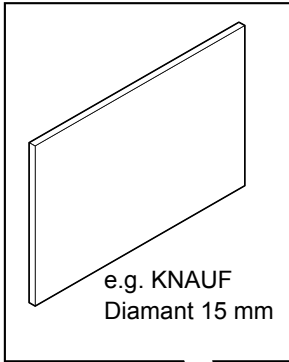
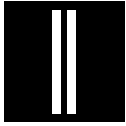


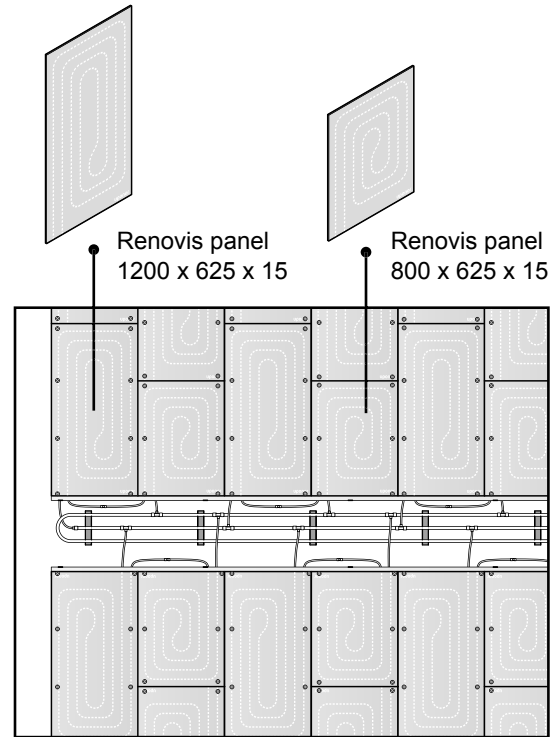
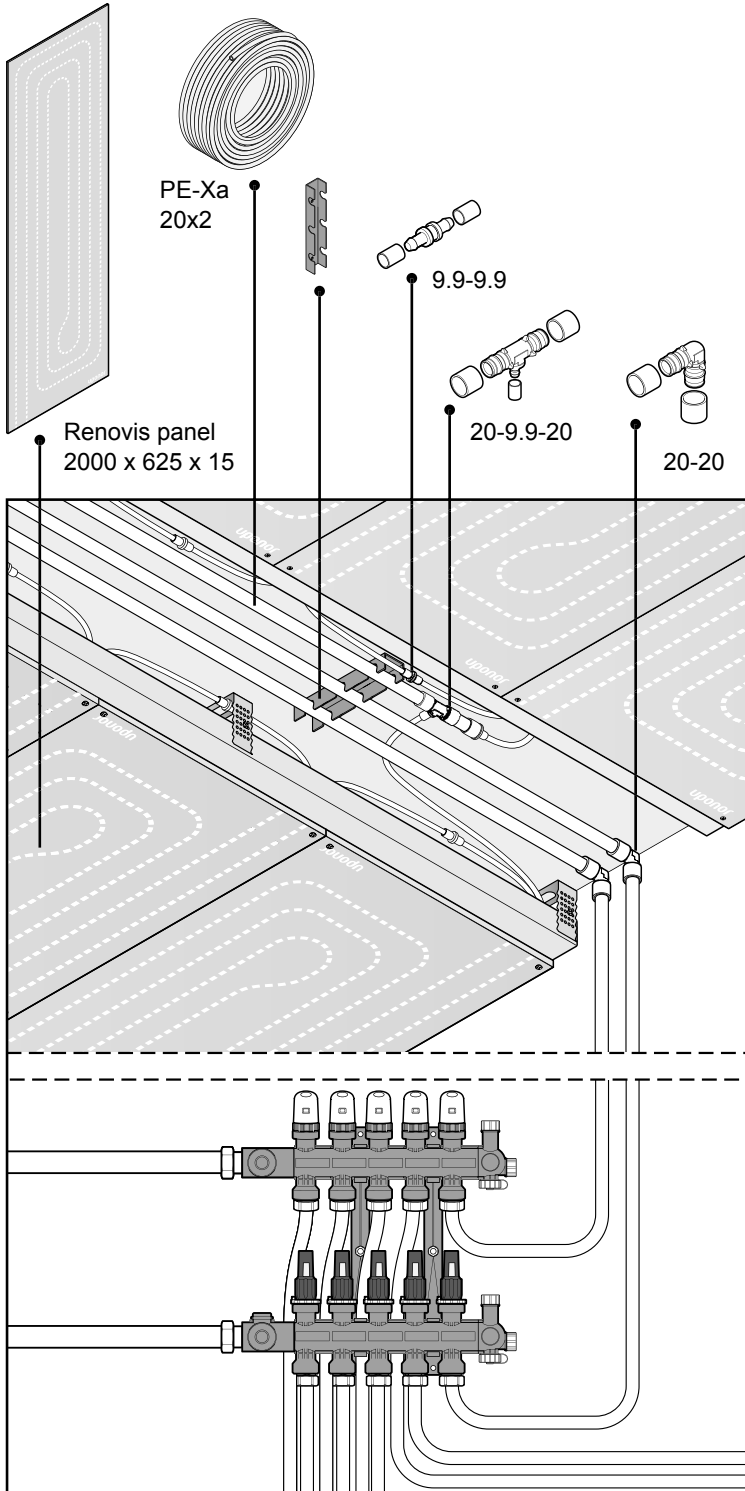
Uponor

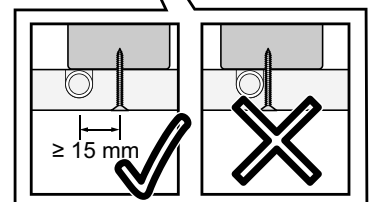
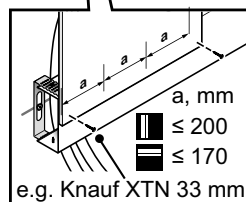
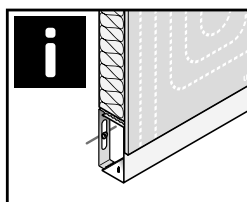
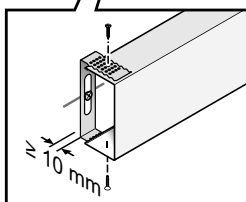
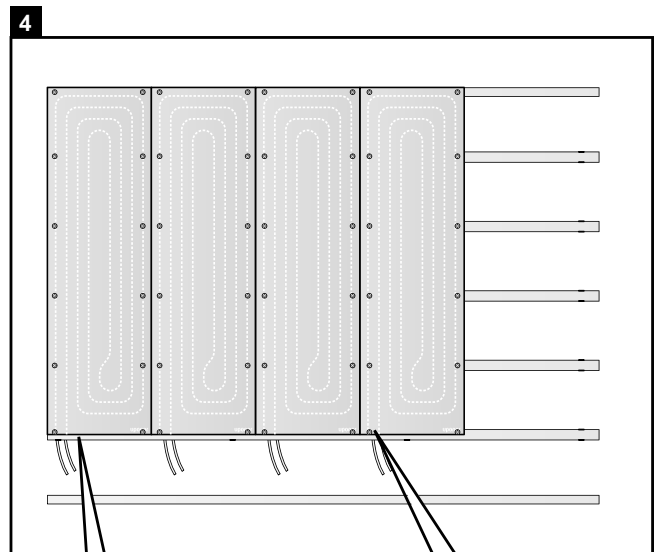
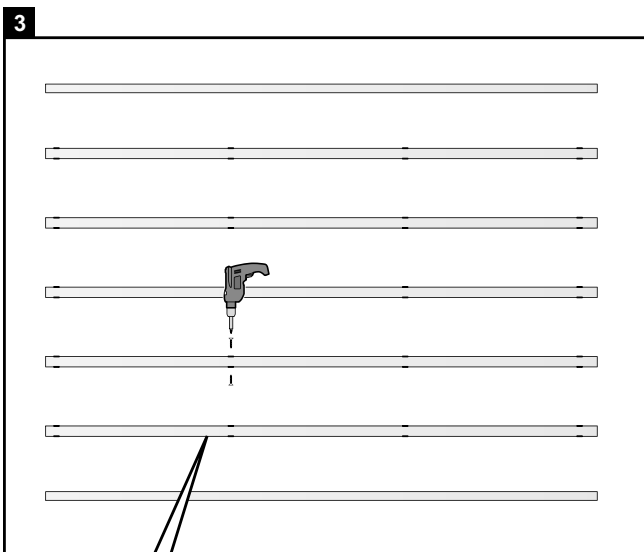
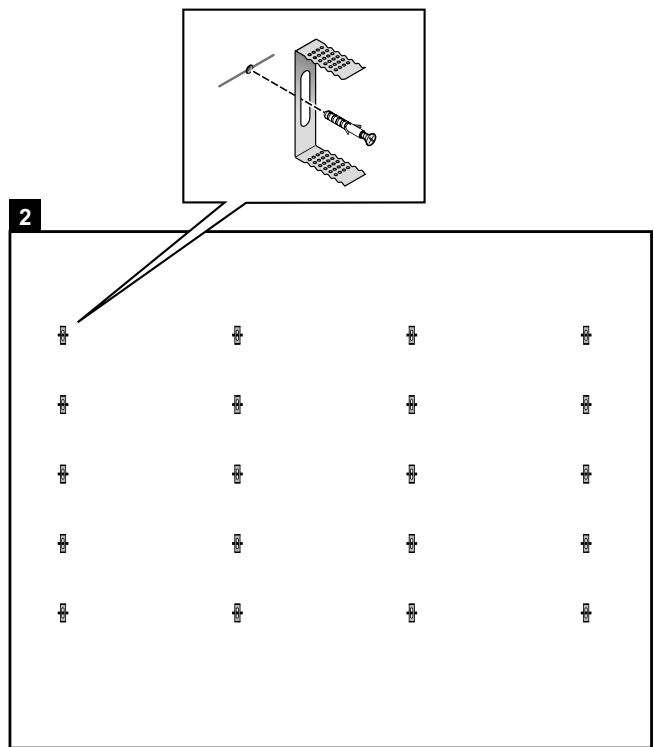
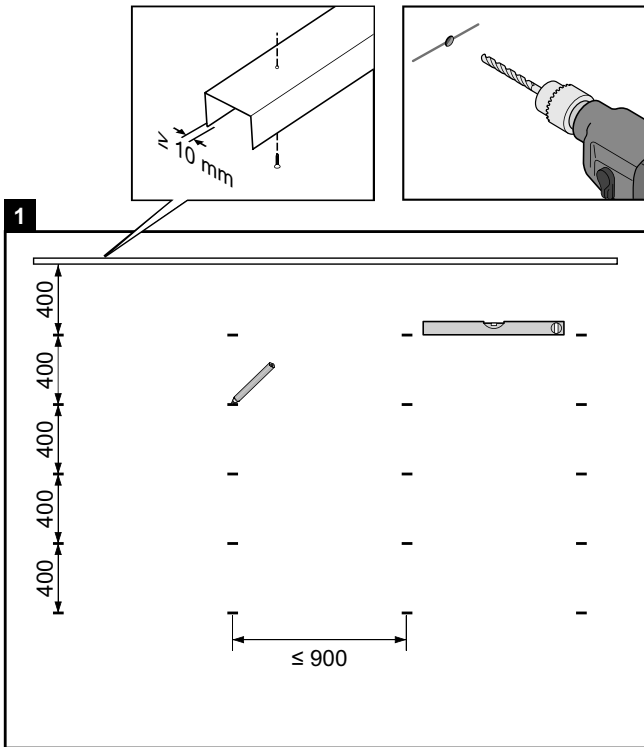
Uponor Renovis



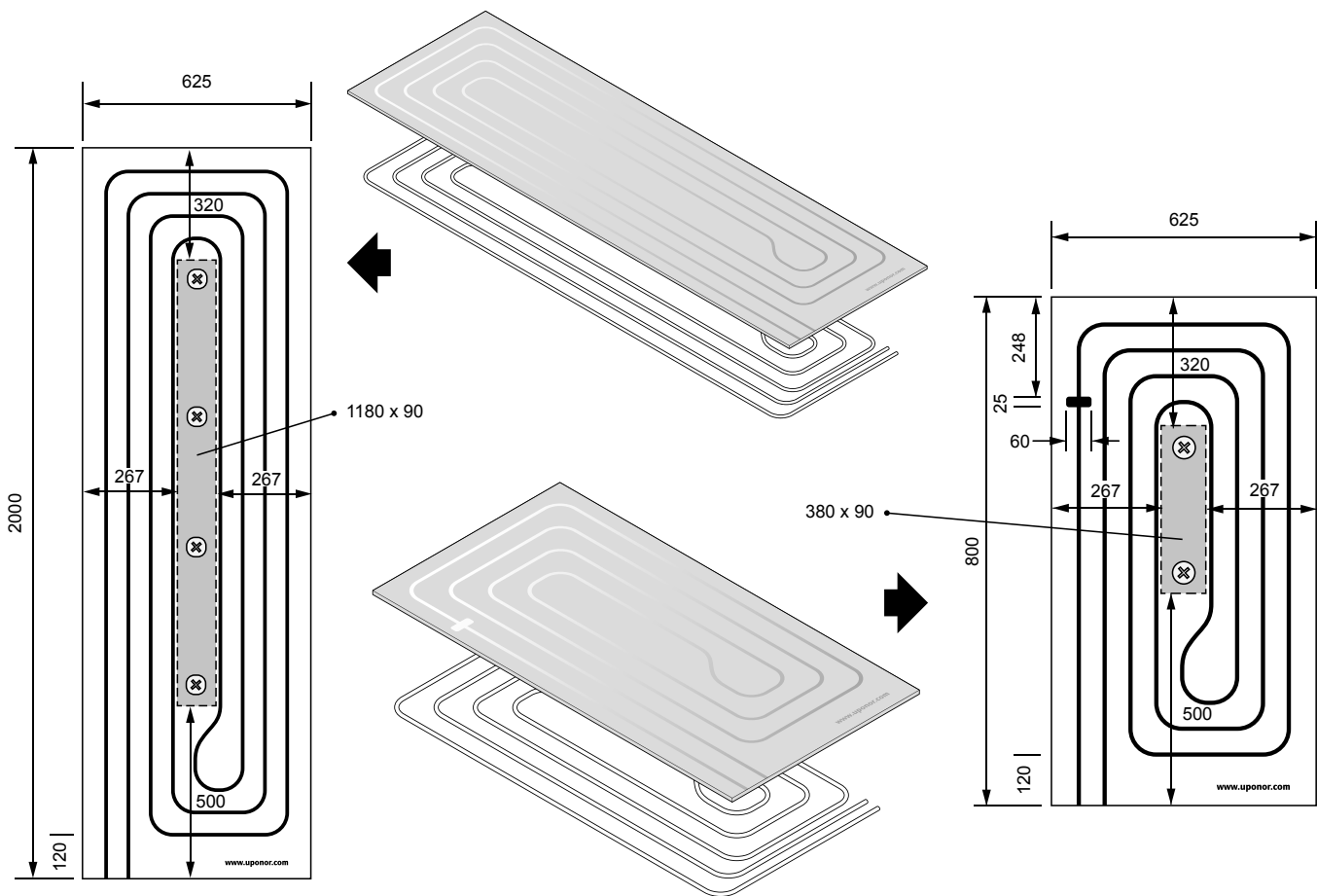
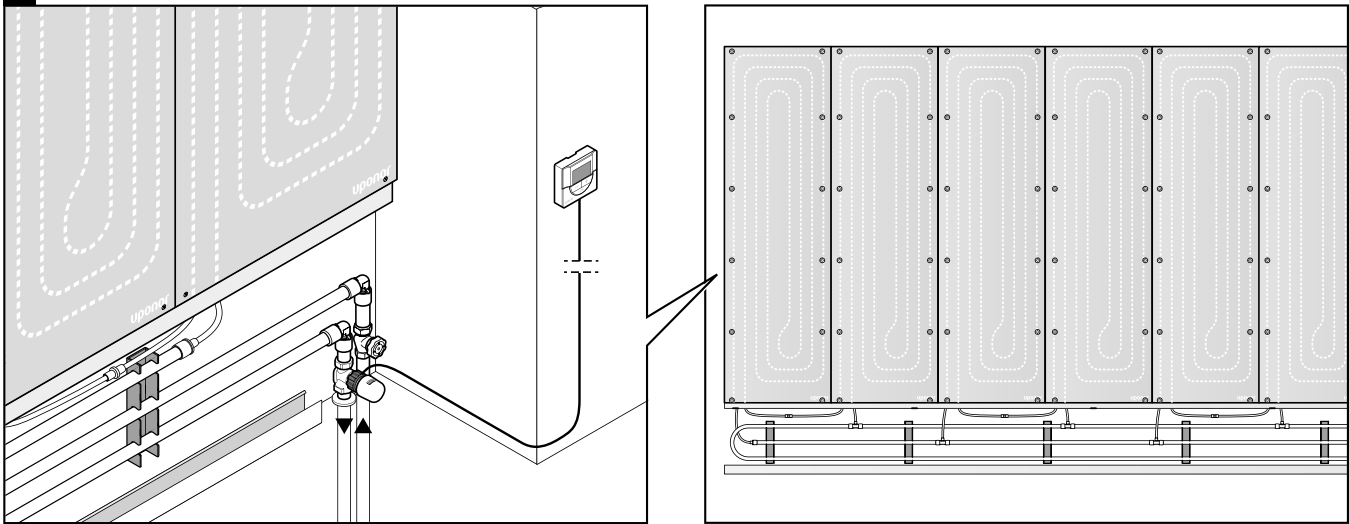


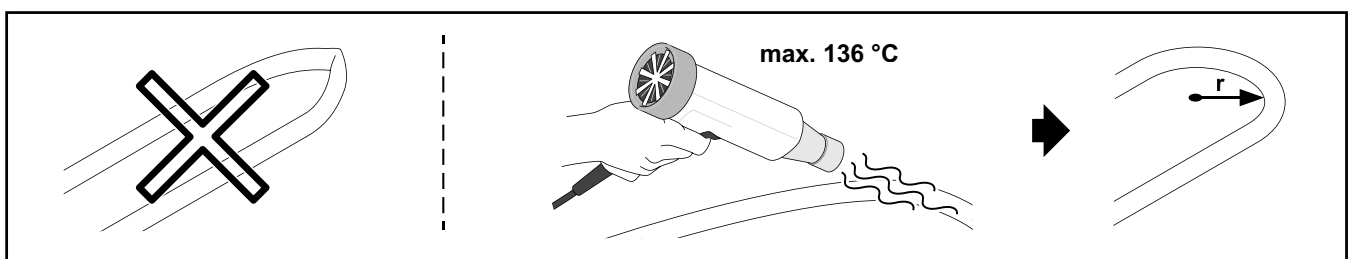
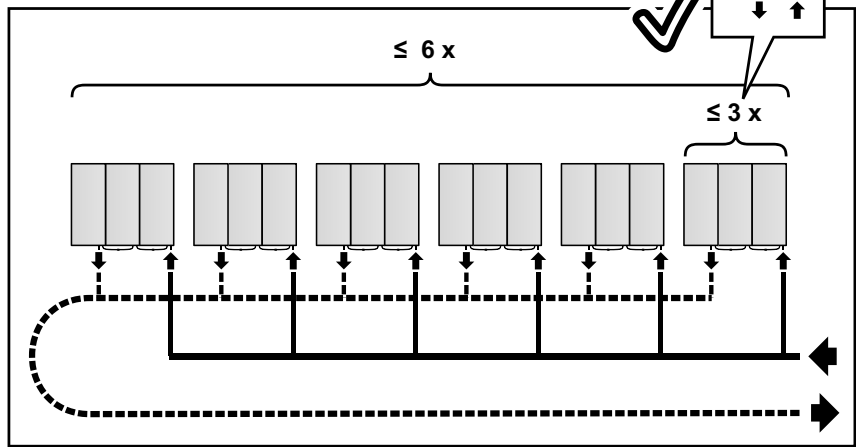
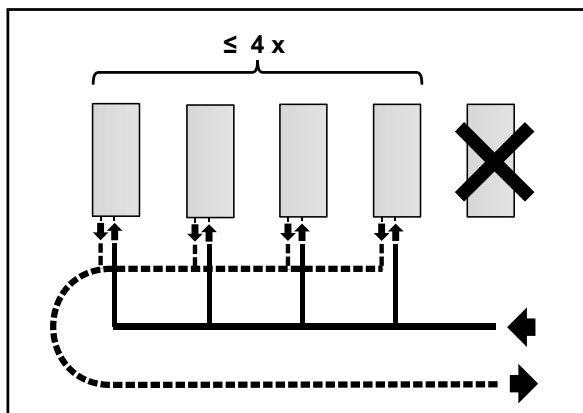
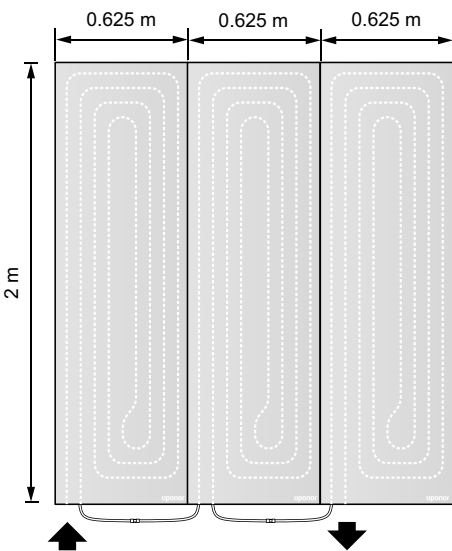
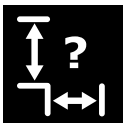
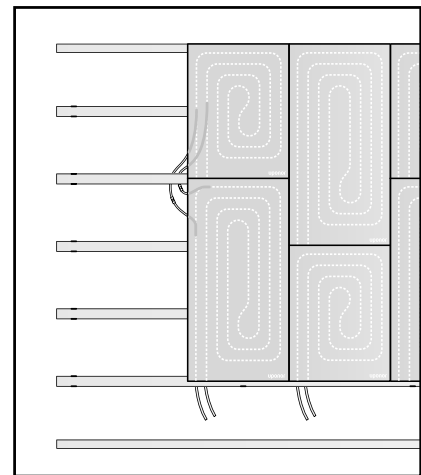
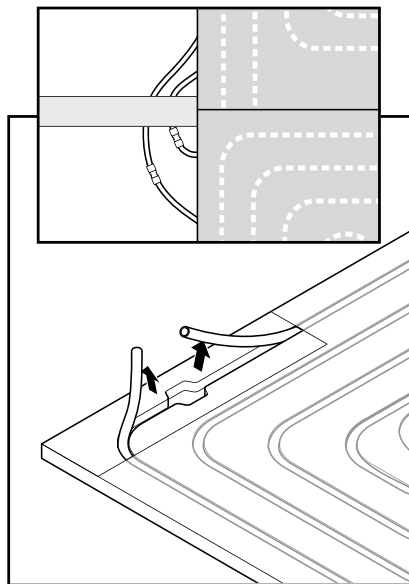
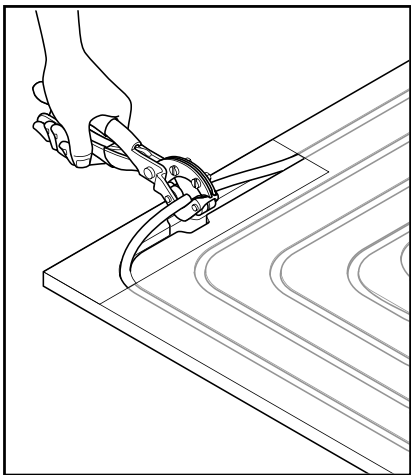


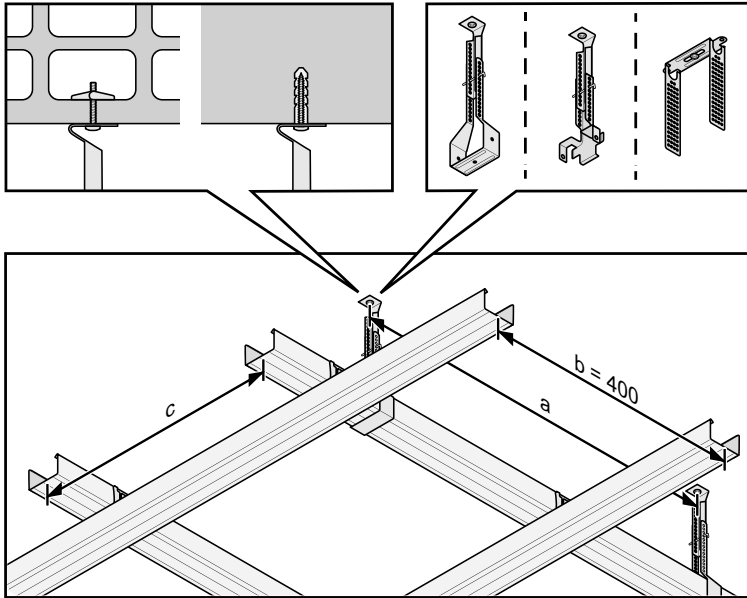




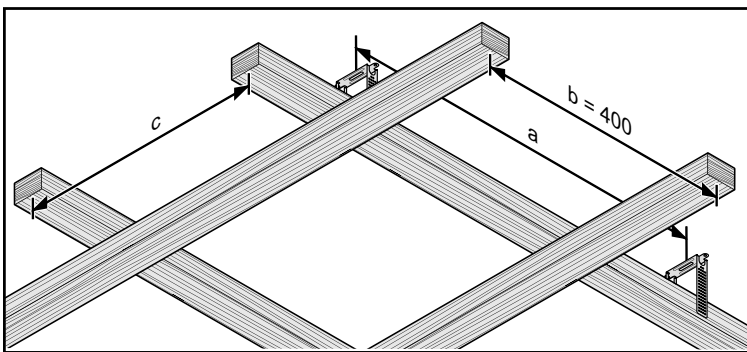
5



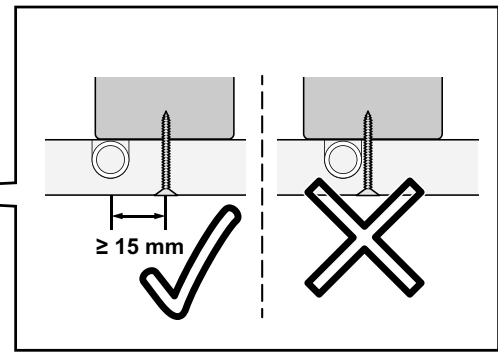
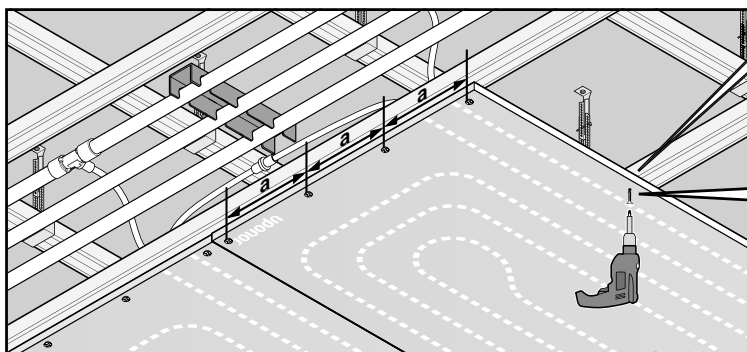




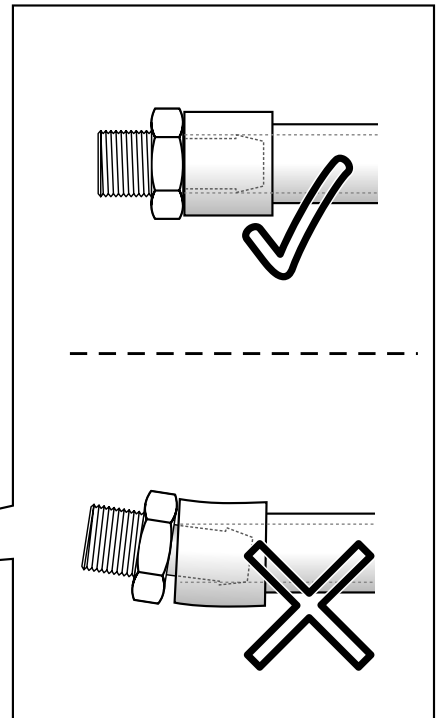
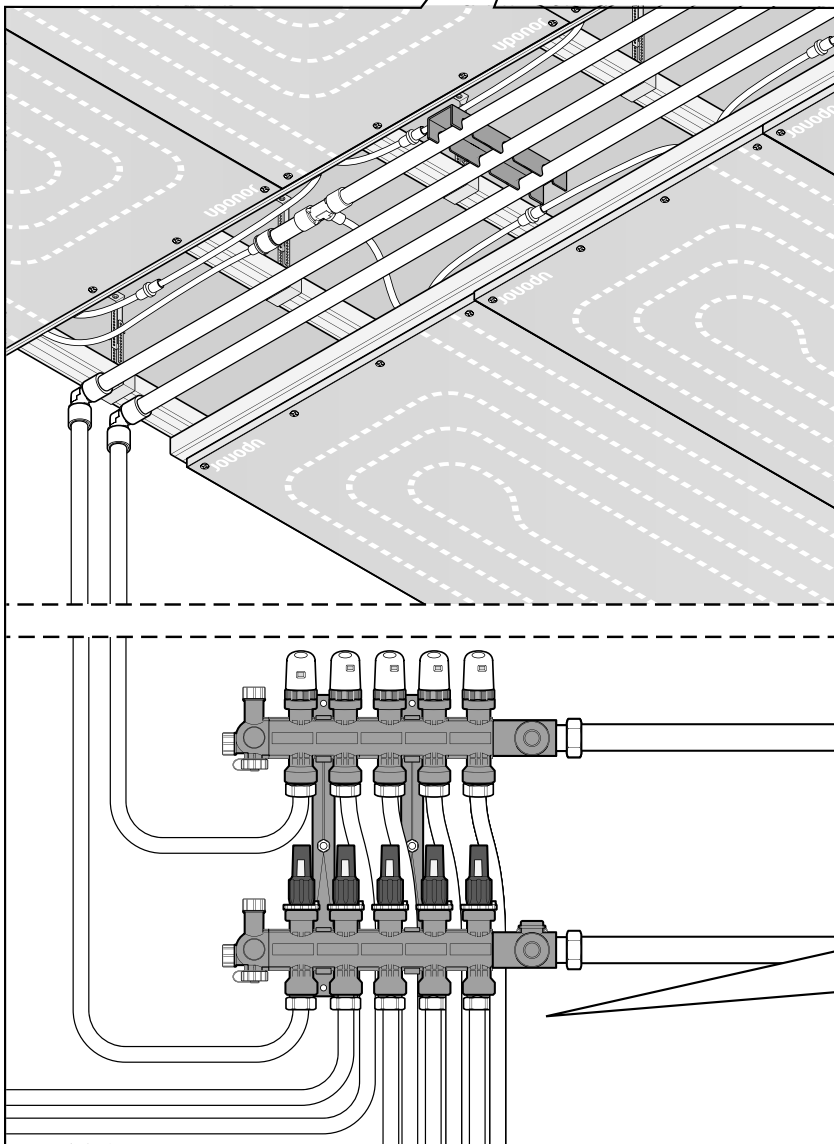
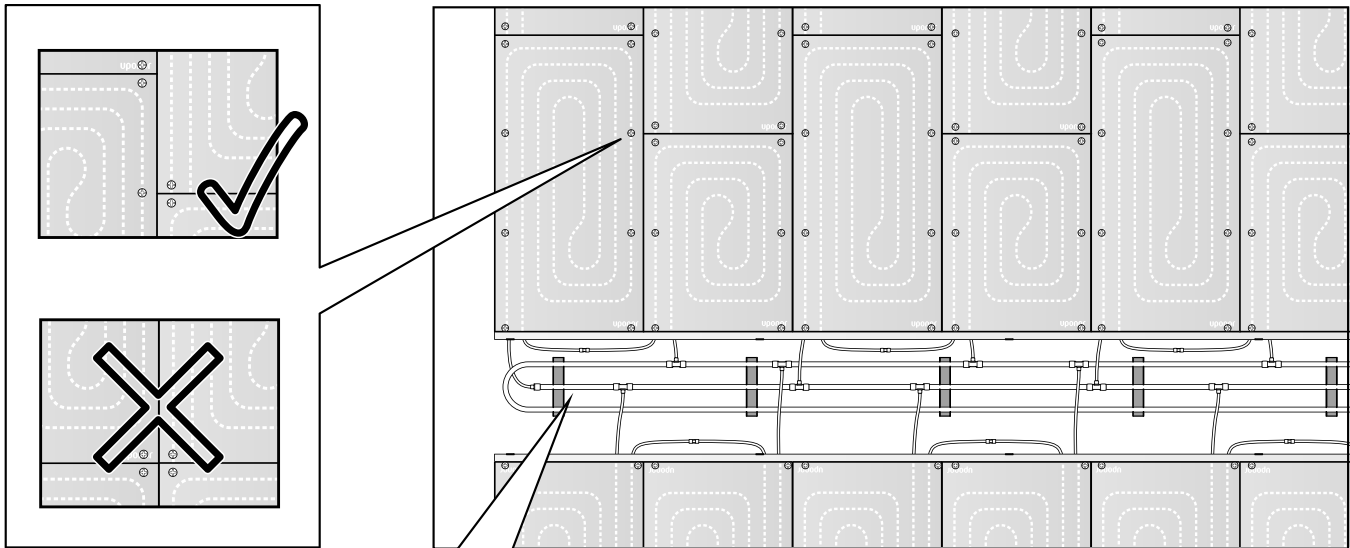
c	a		
	kN/m ²		
	≤ 0.15	≤ 0.30	≤ 0.50
500	1200	950	800
600	1150	900	750
700	1100	850	–
800	1050	800	–
900	1000	750	–
1000	950	–	–
1100	900	–	–
1200	900	–	–



$a \leq 170 \text{ mm}$
e.g. Knauf XTN 33 mm



Renovis + H₂O = 12.7 kg/m²





STOP

M12

1006250 1006702

! ... DEC | JAN | FEB ...

$\leq 5^\circ\text{C}$

$\leq 15\text{ sec}$

OPTION

OK?

$\leq 50^\circ\text{C}$

1

2

3

M12

9.9 x 1.1	4-5x
20 x 2.0	ca 6x

4

STOP

$\varnothing 0-5^\circ\text{C}$	$\varnothing \geq 5^\circ\text{C}$
3 h	0.5 h

1

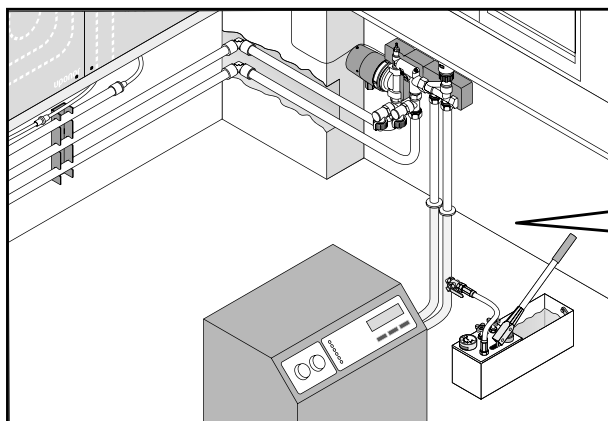
2

3

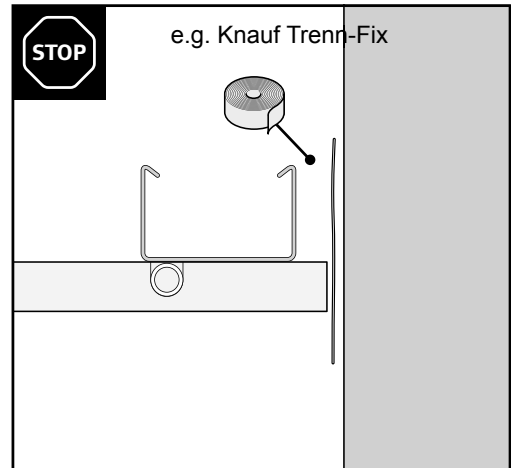
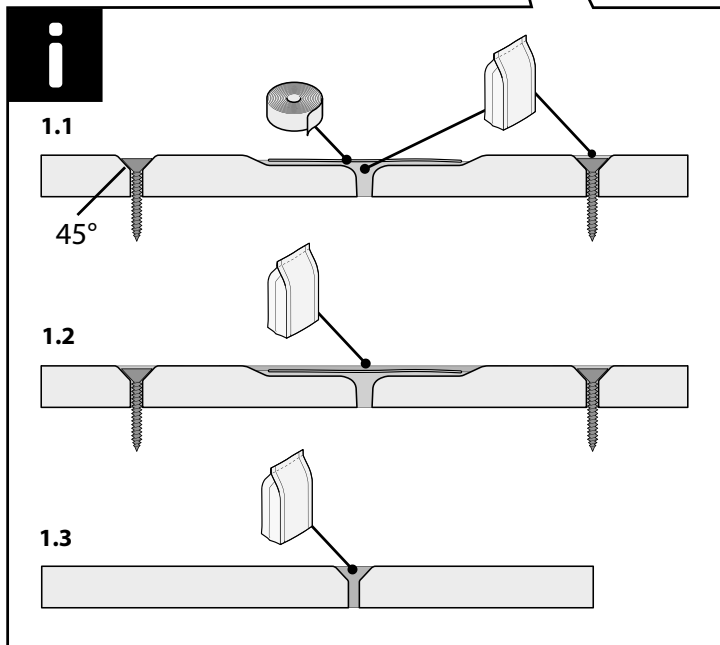
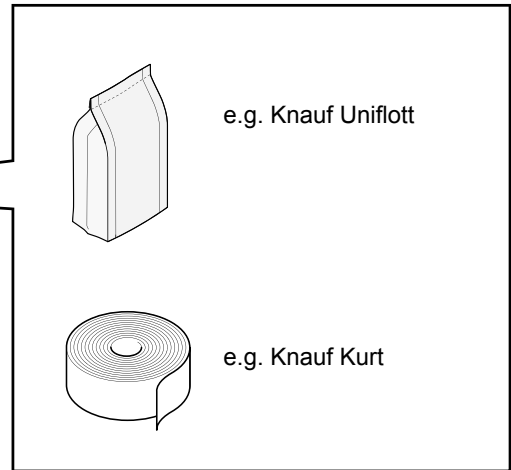
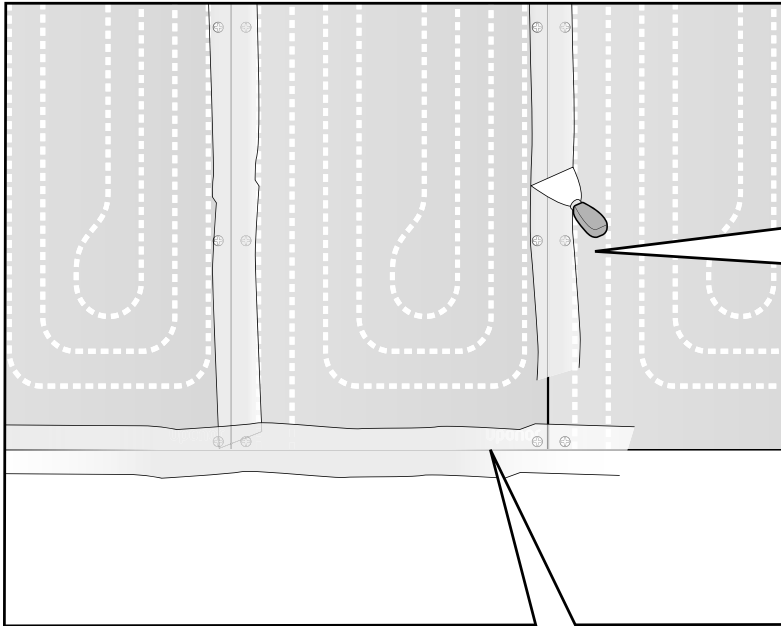
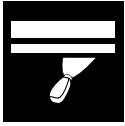
M12

9.9 x 1.1	4-5x
20 x 2.0	ca 6x

4



2 h	$\leq 6\text{ bar}$
	$\theta_{\text{sec}} = 15-50^\circ\text{C}$



Uponor

Uponor Corporation

1070489_11/2015_EN

Uponor reserves the right to make changes, without prior notification, to the specification of incorporated components in line with its policy of continuous improvement and development.



www.uponor.com