

Supports de cintrage en coude à oreille en plastique

Renseignements sur le projet

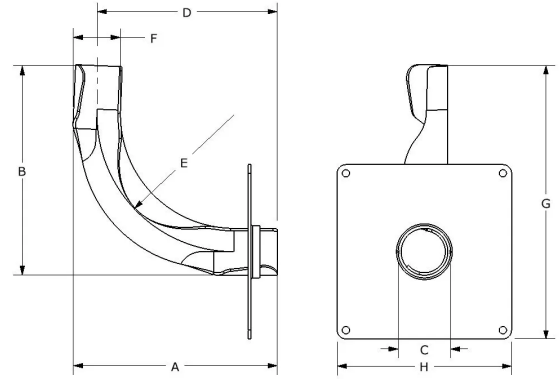
Nom du poste :	Lieu :
Ingénieur :	Date de soumission:
Entrepreneur :	Présentée par:
Représentant du fabricant :	Approuvé par :

Données techniques

Material	Plastic
Subcomponent Material	Glass Reinforced Nylon 30%

Informations sur le produit et utilisation de l'application

Uponor Plastic Drop Ear Bend Supports are designed to provide a Rigid, 90-degree bend and connection-free stub out from a stud wall or floor for $\frac{3}{8}$ " or $\frac{1}{2}$ " Uponor AquaPEX® tubing.



Nom de la pièce	Numéro de pièce	A [Inch]	B [Inch]	C [Inch]	D [Inch]	E [Inch]	F [Inch]	G [Inch]	H [Inch]	Weight per UOM [lbs/UOM]
3/8" Plastic Drop Ear Bend Support	F5200375	3.798	3.879	0.88	3.364	2.475	0.87	4.944	3	0.06
1/2" Plastic Drop Ear Bend Support	F5200500	3.815	3.895	0.885	3.315	2.475	0.435	4.895	3	0.06

L'installation

Snap the tubing into the bend support at the beginning of the bend. Continue the bend through the support and snap the tubing into the support at the end of the bend as well. Refer to the Uponor Professional Plumbing Installation Handbook or Uponor Radiant Floor Installation Handbook for additional information.

Applications connexes

PEX-a Plumbing Systems
 Radiant Floor Heating and Cooling Systems
 AquaSAFE™ Fire Safety Systems

Notes de bas de page

Coordonnées de la personne-ressource

Uponor Inc.
 5925 148th Street West
 Apple Valley, MN 55124
 T 800.321.4739
 F 952.891.2008

Uponor Ltd.
 6510 Kennedy Road
 Mississauga, ON L5T 2X4
 T 888.594.7726
 F 800.638.9517