

# Adaptadores roscados hembra TotalFit

## Project Information

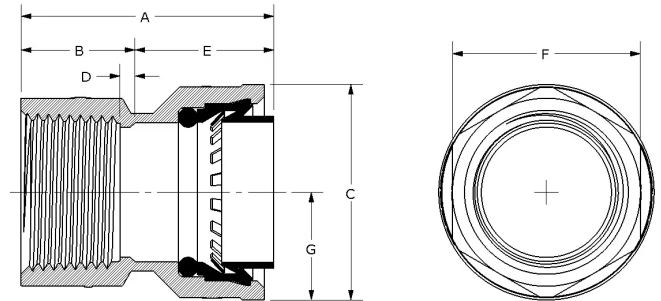
Job name:	Location:
Engineer:	Fecha de envío:
Contractor:	Presentada por:
Manufacturer's representative:	Approved by:

## Technical data

Material	Engineered Polymer
Temp/pressure ratings	73 °F (23 °C) at 160 psi (11 bar) 180 °F (82 °C) at 100 psi (6.9 bar) 200 °F (93 °C) at 80 psi (5.5 bar)
Prop 65 label required?	No

## Product information and application use

TotalFit™ is the professional-grade engineered polymer (EP) push-to-connect solution that provides greater value for residential projects with the same versatility and speed as brass push-to-connect fittings for PEX, PE-RT, CPVC, and copper piping systems.



Part name	Part no.	A [inch]	B [inch]	C [inch]	D [inch]	E [inch]	F [inch]	G [inch]	End Type 1	End Type 2	Weight per UOM [lbs/UOM]
TotalFit Female Threaded Adapter, 1" x 1" NPT	TF4571010	2.065	0.931	1.76	0.124	1.134	1.535	0.88	TotalFit 1"	FNPT 1"	0.08
TotalFit Female Threaded Adapter, 1/2" x 1/2" NPT	TF4575050	1.642	0.728	1.244	0.059	0.913	1.102	0.565	TotalFit 1/2"	FNPT 1/2"	0.04
TotalFit Female Threaded Adapter, 1/2" x 3/4" NPT	TF4575075	1.677	0.764	1.402	0.094	0.913	1.26	0.565	TotalFit 1/2"	FNPT 3/4"	0.04
TotalFit Female Threaded Adapter, 3/4" x 1" NPT	TF4577510	1.957	0.89	1.713	0.102	1.067	1.535	0.728	TotalFit 3/4"	FNPT 1"	0.06
TotalFit Female Threaded Adapter, 3/4" x 3/4" NPT	TF4577575	1.839	0.772	1.457	0.083	1.067	1.28	0.728	TotalFit 3/4"	FNPT 3/4"	0.06

Part name	Part no.	Codes	Standards	Listings
Adaptadores roscados hembra TotalFit	All	UPC IRC IPC NPC of Canada UMC CMC CPC IMC	NSF ANSI CAN 372 ASTM F877 NSF ANSI CAN 61 NSF ANSI 14 ASSE 1061	IAPMO K-13573 IAPMO K-13571 IAPMO K-13572

In addition, the following parts have additional codes, standards, or listings:

TotalFit Female Threaded Adapter, 1/2" x 3/4" NPT	TF4575075
TotalFit Female Threaded Adapter, 3/4" x 1" NPT	TF4577510

## Installation

Install on PEX, PE-RT, CPVC, and copper piping systems. Use deburr and depth tool to remove excess material or burrs and mark the appropriate depth on pipe. If using flexible PEX or PE-RT, install the insert inside the pipe first before making the connection. Only use PTFE thread seal tape (with a minimum of three wraps) to seal male and female adapters. Refer to the Uponor TotalFit Instruction Sheet for additional information.

## Related applications

- Plumbing
- Hydronic Heating & Cooling

## Footnotes

## Contact information

Uponor Inc.  
5925 148th Street West  
Apple Valley, MN 55124  
T 800.321.4739  
F 952.891.2008

Uponor Ltd.  
6510 Kennedy Road  
Mississauga, ON L5T 2X4  
T 888.594.7726  
F 800.638.9517