

# Tapones TotalFit

## Project Information

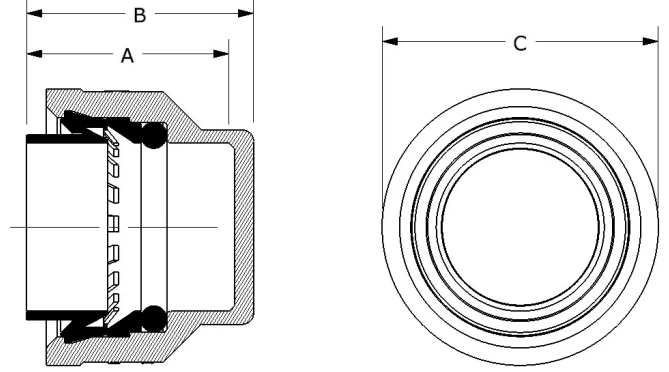
Job name:	Location:
Engineer:	Fecha de envío:
Contractor:	Presentada por:
Manufacturer's representative:	Approved by:

## Technical data

Material	Engineered Polymer
Temp/pressure ratings	73 °F (23 °C) at 160 psi (11 bar) 180 °F (82 °C) at 100 psi (6.9 bar) 200 °F (93 °C) at 80 psi (5.5 bar)
Prop 65 label required?	No

## Product information and application use

TotalFit™ is the professional-grade engineered polymer (EP) push-to-connect solution that provides greater value for residential projects with the same versatility and speed as brass push-to-connect fittings for PEX, PE-RT, CPVC, and copper piping systems.



Part name	Part no.	A [inch]	B [inch]	C [inch]	End Type 1	Weight per UOM [lbs/UOM]
TotalFit Plug, 1/2	TF4350500	0.913	1.02	1.13	TotalFit 1/2"	0.02
TotalFit Plug, 3/4	TF4350750	1.067	1.197	1.457	TotalFit 3/4"	0.04
TotalFit Plug, 1	TF4351000	1.134	1.269	1.76	TotalFit 1"	0.06

Part name	Part no.	Codes	Standards	Listings
Tapones TotalFit	All	UPC IRC IPC NPC of Canada UMC CMC CPC IMC	ASTM F877 NSF/ANSI/CAN 372 NSF/ANSI/CAN 61 NSF/ANSI 14 ASSE 1061	IAPMO K-13573 IAPMO K-13571 IAPMO K-13572

Installation	Related applications
Install on PEX, PE-RT, CPVC, and copper piping systems. Use deburr and depth tool to remove excess material or burrs and mark the appropriate depth on pipe. If using flexible PEX or PE-RT, install the insert inside the pipe first before making the connection. Refer to the Uponor TotalFit Instruction Sheet for additional information.	Plumbing Hydronic Heating & Cooling

Footnotes	Contact information		
-	<table border="0"> <tr> <td>Uponor Inc. 5925 148th Street West Apple Valley, MN 55124 T 800.321.4739 F 952.891.2008</td> <td>Uponor Ltd. 6510 Kennedy Road Mississauga, ON L5T 2X4 T 888.594.7726 F 800.638.9517</td> </tr> </table>	Uponor Inc. 5925 148th Street West Apple Valley, MN 55124 T 800.321.4739 F 952.891.2008	Uponor Ltd. 6510 Kennedy Road Mississauga, ON L5T 2X4 T 888.594.7726 F 800.638.9517
Uponor Inc. 5925 148th Street West Apple Valley, MN 55124 T 800.321.4739 F 952.891.2008	Uponor Ltd. 6510 Kennedy Road Mississauga, ON L5T 2X4 T 888.594.7726 F 800.638.9517		