

# Uponor PP-RCT flange rings

## Project Information

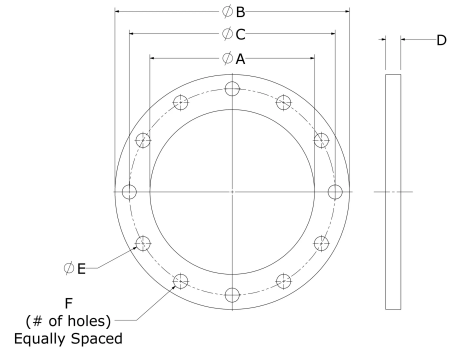
Job name:	Location:
Engineer:	Date submitted:
Contractor:	Submitted by:
Manufacturer's representative:	Approved by:

## Technical data

Material	Metal
Prop 65 label required?	No

## Product Information and application use

Use flange rings in conjunction with Uponor flange adapters in hydronic heating and cooling, industrial, and hot and cold potable water applications. Note that this product meets the dimensional requirements of the ASME B16.5 standard for the bolt hole size, bolt hole number, and bolt circle diameter.



Part name	Part no.	A [inch]	B [inch]	C [inch]	D [inch]	E [inch]	F [inch]	End Type 1	Weight per UOM [lbs/UOM]
Uponor PP-RCT Flange Ring, 1 1/2	PR3001500	2.54	5	3.88	0.62	0.625	4.0	Flange 1-1/2"	1.21
Uponor PP-RCT Flange Ring, 2	PR3002000	3.15	6	4.75	0.69	0.75	4.0	Flange 2"	1.59
Uponor PP-RCT Flange Ring, 2 1/2	PR3002500	3.75	7	5.5	0.81	0.75	4.0	Flange 2-1/2"	2.4
Uponor PP-RCT Flange Ring, 3	PR3003000	4.53	7.5	6	0.88	0.75	4.0	Flange 3"	2.56
Uponor PP-RCT Flange Ring, 4	PR3004000	5.58	9	7.5	0.88	0.75	8.0	Flange 4"	3.73
Uponor PP-RCT Flange Ring, 6	PR3006000	7.03	11	9.5	0.94	0.875	8.0	Flange 6"	5.31
Uponor PP-RCT Flange Ring, 8	PR3008000	9.11	13.5	11.75	1.06	0.875	8.0	Flange 8"	7.58
Uponor PP-RCT Flange Ring, 10	PR30010000	11.1	16	14.25	1.12	1	12.0	Flange 10"	11.75
Uponor PP-RCT Flange Ring, 12	PR30012000	13.31	19	17	1.19	1	12.0	Flange 12"	17.75

## Installation

Standard flange assembly

## Related applications

Domestic water systems  
Hydronic heating and cooling systems

## Footnotes

## Contact information

Uponor Inc.  
5925 148th Street West  
Apple Valley, MN 55124  
T 800.321.4739  
F 952.891.2008

Uponor Ltd.  
6510 Kennedy Road  
Mississauga, ON L5T 2X4  
T 888.594.7726  
F 800.638.9517