

TotalFit female threaded adapters

Project Information

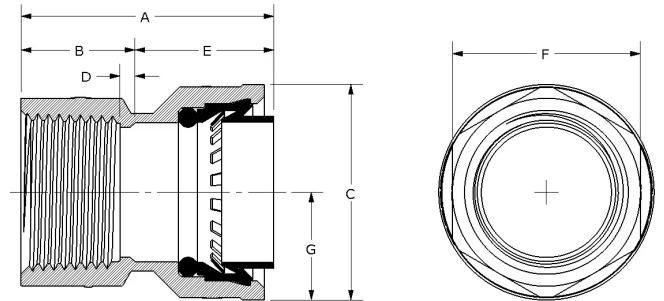
Job name:	Location:
Engineer:	Date submitted:
Contractor:	Submitted by:
Manufacturer's representative:	Approved by:

Technical data

Material	Engineered Polymer
Temp/pressure ratings	73 °F (23 °C) at 160 psi (11 bar) 180 °F (82 °C) at 100 psi (6.9 bar) 200 °F (93 °C) at 80 psi (5.5 bar)
Prop 65 label required?	No

Product information and application use

TotalFit™ is the professional-grade engineered polymer (EP) push-to-connect solution that provides greater value for residential projects with the same versatility and speed as brass push-to-connect fittings for PEX, PE-RT, CPVC, and copper piping systems.



Part name	Part no.	A [inch]	B [inch]	C [inch]	D [inch]	E [inch]	F [inch]	G [inch]	End Type 1	End Type 2	Weight per UOM [lbs/UOM]
TotalFit Female Threaded Adapter, 1" x 1" NPT	TF4571010	2.065	0.931	1.76	0.124	1.134	1.535	0.88	TotalFit 1"	FNPT 1"	0.08
TotalFit Female Threaded Adapter, 1/2" x 1/2" NPT	TF4575050	1.642	0.728	1.244	0.059	0.913	1.102	0.565	TotalFit 1/2"	FNPT 1/2"	0.04
TotalFit Female Threaded Adapter, 1/2" x 3/4" NPT	TF4575075	1.677	0.764	1.402	0.094	0.913	1.26	0.565	TotalFit 1/2"	FNPT 3/4"	0.04
TotalFit Female Threaded Adapter, 3/4" x 1" NPT	TF4577510	1.957	0.89	1.713	0.102	1.067	1.535	0.728	TotalFit 3/4"	FNPT 1"	0.06
TotalFit Female Threaded Adapter, 3/4" x 3/4" NPT	TF4577575	1.839	0.772	1.457	0.083	1.067	1.28	0.728	TotalFit 3/4"	FNPT 3/4"	0.06

Part name	Part no.	Codes	Standards	Listings
TotalFit female threaded adapters	All	UPC IRC IPC NPC of Canada UMC CMC CPC IMC	NSF/ANSI/CAN 372 ASTM F877 NSF/ANSI/CAN 61 NSF/ANSI 14 ASSE 1061	IAPMO K-13573 IAPMO K-13571 IAPMO K-13572

In addition, the following parts have additional codes, standards, or listings:

TotalFit Female Threaded Adapter, 1/2" x 3/4" NPT	TF4575075
TotalFit Female Threaded Adapter, 3/4" x 1" NPT	TF4577510

Installation

Install on PEX, PE-RT, CPVC, and copper piping systems. Use deburr and depth tool to remove excess material or burrs and mark the appropriate depth on pipe. If using flexible PEX or PE-RT, install the insert inside the pipe first before making the connection. Only use PTFE thread seal tape (with a minimum of three wraps) to seal male and female adapters. Refer to the Uponor TotalFit Instruction Sheet for additional information.

Related applications

- Plumbing
- Hydronic Heating & Cooling

Footnotes

Contact information

Uponor Inc.
5925 148th Street West
Apple Valley, MN 55124
T 800.321.4739
F 952.891.2008

Uponor Ltd.
6510 Kennedy Road
Mississauga, ON L5T 2X4
T 888.594.7726
F 800.638.9517