

TotalFit plugs

Project Information

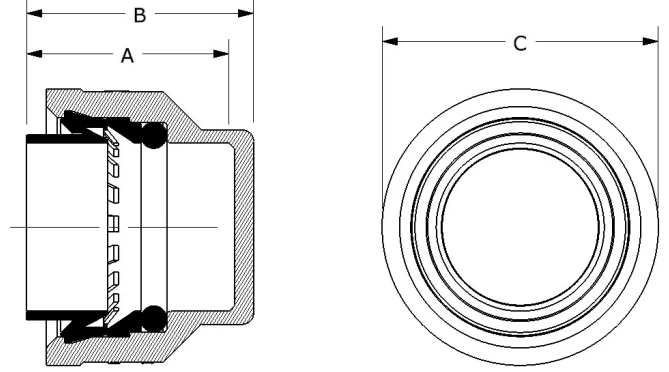
| | |
|--------------------------------|-----------------|
| Job name: | Location: |
| Engineer: | Date submitted: |
| Contractor: | Submitted by: |
| Manufacturer's representative: | Approved by: |

Technical data

| | |
|-------------------------|--|
| Material | Engineered Polymer |
| Temp/pressure ratings | 73 °F (23 °C) at 160 psi (11 bar) 180 °F (82 °C) at 100 psi (6.9 bar) 200 °F (93 °C) at 80 psi (5.5 bar) |
| Prop 65 label required? | No |

Product information and application use

TotalFit™ is the professional-grade engineered polymer (EP) push-to connect solution that provides greater value for residential projects with the same versatility and speed as brass push-to-connect fittings for PEX, PE-RT, CPVC, and copper piping systems.



| Part name | Part no. | A [inch] | B [inch] | C [inch] | End Type 1 | Weight per UOM [lbs/UOM] |
|--------------------|-----------|----------|----------|----------|---------------|--------------------------|
| TotalFit Plug, 1/2 | TF4350500 | 0.913 | 1.02 | 1.13 | TotalFit 1/2" | 0.02 |
| TotalFit Plug, 3/4 | TF4350750 | 1.067 | 1.197 | 1.457 | TotalFit 3/4" | 0.04 |
| TotalFit Plug, 1 | TF4351000 | 1.134 | 1.269 | 1.76 | TotalFit 1" | 0.06 |

| Part name | Part no. | Codes | Standards | Listings |
|----------------|----------|---|--|---|
| TotalFit plugs | All | UPC IRC IPC NPC of Canada UMC CMC CPC IMC | ASTM F877 NSF/ANSI/CAN 372 NSF/ANSI/CAN 61 NSF/ANSI 14 ASSE 1061 | IAPMO K-13573 IAPMO K-13571 IAPMO K-13572 |

Installation

Install on PEX, PE-RT, CPVC, and copper piping systems. Use deburr and depth tool to remove excess material or burrs and mark the appropriate depth on pipe. If using flexible PEX or PE-RT, install the insert inside the pipe first before making the connection. Refer to the Uponor TotalFit Instruction Sheet for additional information.

Related applications

Plumbing
Hydronic Heating & Cooling

Footnotes

Contact information

Uponor Inc.
5925 148th Street West
Apple Valley, MN 55124
T 800.321.4739
F 952.891.2008

Uponor Ltd.
6510 Kennedy Road
Mississauga, ON L5T 2X4
T 888.594.7726
F 800.638.9517