

# TotalFit male threaded adapters

## Project information

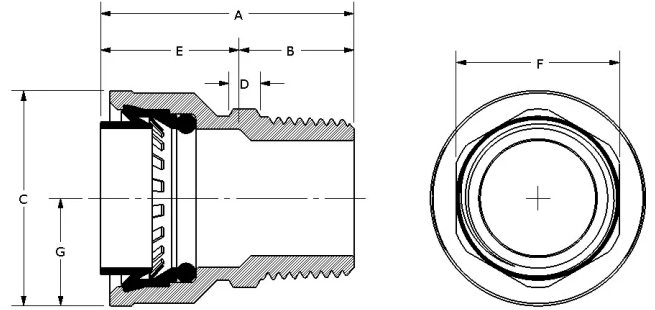
Job name:	Location:
Engineer:	Date submitted:
Contractor:	Submitted by:
Manufacturer's representative:	Approved by:

## Technical data

Material	Engineered Polymer
Temp/pressure ratings	73 °F (23 °C) at 160 psi (11 bar) 180 °F (82 °C) at 100 psi (6.9 bar) 200 °F (93 °C) at 80 psi (5.5 bar)
Prop 65 label required?	No

## Product information and application use

TotalFit™ is the professional-grade engineered polymer (EP) push-to connect solution that provides greater value for residential projects with the same versatility and speed as brass push-to-connect fittings for PEX, PE-RT, CPVC, and copper piping systems.



Part name	Part no.	A [inch]	B [inch]	C [inch]	D [inch]	E [inch]	F [inch]	G [inch]	End Type 1	End Type 2	Weight per UOM [lbs/UOM]
TotalFit Male Threaded Adapter, 1" x 1" NPT	TF4521010	2.075	0.941	1.76	0.256	1.134	1.339	0.88	TotalFit 1"	MNPT 1"	0.08
TotalFit Male Threaded Adapter, 1/2" x 1/2" NPT	TF4525050	1.693	0.78	1.13	0.256	0.913	0.886	0.565	TotalFit 1/2"	MNPT 1/2"	0.03
TotalFit Male Threaded Adapter, 1/2" x 3/4" NPT	TF4525075	1.713	0.799	1.13	0.256	0.913	1.063	0.565	TotalFit 1/2"	MNPT 3/4"	0.04
TotalFit Male Threaded Adapter, 3/4" x 1" NPT	TF4527510	2.014	0.947	1.457	0.256	1.067	1.339	0.728	TotalFit 3/4"	MNPT 1"	0.06
TotalFit Male Threaded Adapter, 3/4" x 3/4" NPT	TF4527575	1.933	0.866	1.457	0.256	1.067	1.063	0.728	TotalFit 3/4"	MNPT 3/4"	0.05

Part name	Part no.	Codes	Standards	Listings
TotalFit male threaded adapters	All	UPC IRC IPC NPC of Canada UMC CMC CPC IMC	ASTM F877 NSF/ANSI/CAN 372 NSF/ANSI/CAN 61 NSF/ANSI 14 ASSE 1061	IAPMO K-13573 IAPMO K-13571 IAPMO K-13572

In addition, the following parts have additional codes, standards, or listings:

TotalFit Male Threaded Adapter, 3/4" x 3/4" NPT	TF4527575
---	-----------

## Installation

Install on PEX, PE-RT, CPVC, and copper piping systems. Use deburr and depth tool to remove excess material or burrs and mark the appropriate depth on pipe. If using flexible PEX or PE-RT, install the insert inside the pipe first before making the connection. Refer to the Uponor TotalFit Instruction Sheet for additional information.

## Related applications

Plumbing  
Hydronic Heating & Cooling

## Footnotes

## Contact information

Uponor Inc.  
5925 148th Street West  
Apple Valley, MN 55124  
T 800.321.4739  
F 952.891.2008

Uponor Ltd.  
6510 Kennedy Road  
Mississauga, ON L5T 2X4  
T 888.594.7726  
F 800.638.9517