

TotalFit drop ear elbows

Project Information

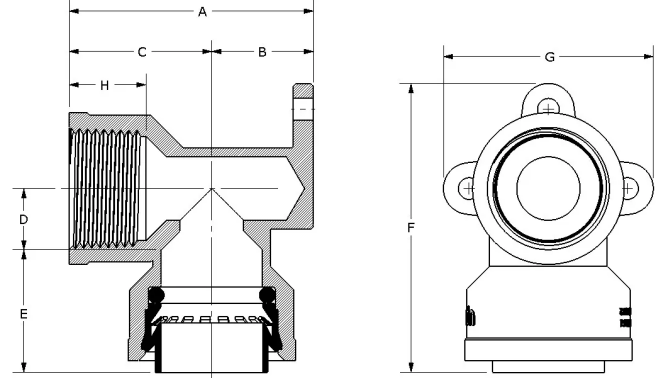
Job name:	Location:
Engineer:	Date submitted:
Contractor:	Submitted by:
Manufacturer's representative:	Approved by:

Technical data

Material	Engineered Polymer
Temp/pressure ratings	73 °F (23 °C) at 160 psi (11 bar) 180 °F (82 °C) at 100 psi (6.9 bar) 200 °F (93 °C) at 80 psi (5.5 bar)
Prop 65 label required?	No

Product information and application use

TotalFit™ is the professional-grade engineered polymer (EP) push-to connect solution that provides greater value for residential projects with the same versatility and speed as brass push-to-connect fittings for PEX, PE-RT, CPVC, and copper piping systems.



Part name	Part no.	A [Inch]	B [Inch]	C [Inch]	D [Inch]	E [Inch]	F [Inch]	G [Inch]	H [Inch]	End Type 1	End Type 2
TotalFit Drop Ear Elbow, 1/2" x 1/2" FNPT	TF4235050	1.752	0.709	1.043	0.433	0.835	2.122	1.551	0.669	TotalFit 1/2"	FNPT 1/2"
TotalFit Drop Ear Elbow, 3/4" x 3/4" FNPT	TF4237575	2.126	0.886	1.24	0.531	1.067	2.512	1.827	0.669	TotalFit 3/4"	FNPT 3/4"

Part name	Part no.	Weight per UOM [lbs/UOM]
TotalFit Drop Ear Elbow, 1/2" x 1/2" FNPT	TF4235050	0.05
TotalFit Drop Ear Elbow, 3/4" x 3/4" FNPT	TF4237575	0.09

Part name	Part no.	Codes	Standards	Listings
TotalFit drop ear elbows	All	UPC IRC IPC NPC of Canada UMC CMC CPC IMC	ASTM F877 NSF/ANSI/CAN 372 NSF/ANSI/CAN 61 NSF/ANSI 14 ASSE 1061	IAPMO K-13573 IAPMO K-13571 IAPMO K-13572

Installation

Install on PEX, PE-RT, CPVC, and copper piping systems. Use deburr and depth tool to remove excess material or burrs and mark the appropriate depth on pipe. If using flexible PEX or PE-RT, install the insert inside the pipe first before making the connection. Refer to the Uponor TotalFit Instruction Sheet for additional information.

Related applications

Plumbing
Hydronic Heating & Cooling

Footnotes

Contact information

Uponor Inc.
5925 148th Street West
Apple Valley, MN 55124
T 800.321.4739
F 952.891.2008

Uponor Ltd.
6510 Kennedy Road
Mississauga, ON L5T 2X4
T 888.594.7726
F 800.638.9517