

Plastic foam staples

Project information

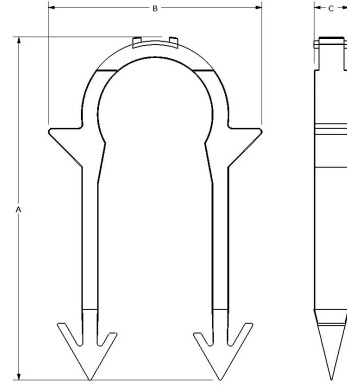
| | |
|--------------------------------|-----------------|
| Job name: | Location: |
| Engineer: | Date submitted: |
| Contractor: | Submitted by: |
| Manufacturer's representative: | Approved by: |

Technical data

| | |
|-----------------------|-----------------------------------|
| Material | Plastic |
| Subcomponent Material | Black polypropylene prime 20 melt |

Product information and application use

Use Plastic Foam Staples with Manual Foam Stapler (E6025075) to secure $\frac{3}{8}$ " , $\frac{1}{2}$ " and $\frac{5}{8}$ " Uponor PEX to rigid foam insulation.



| Part name | Part no. | A [Inch] | B [Inch] | C [Inch] | Weight per UOM [lbs/UOM] |
|---------------------------------------|----------|----------|----------|----------|--------------------------|
| 1 1/2" Plastic Foam Staples, 300/pkg. | A7015050 | 1.667 | 1.424 | 0.232 | 0 |
| 2 1/2" Plastic Foam Staples, 300/pkg. | A7015075 | 2.287 | 1.424 | 0.232 | 0 |

Installation

Use 1 1/2" Plastic Foam Staples (A7015050) for 1" foam; use 2 1/2" Plastic Foam Staples (A7015075) for 1 1/2" or thicker foam. Refer to the Uponor Radiant Floor Heating Installation Handbook for more information.

Related applications

- Radiant Heating and Cooling Systems
- Permafrost Protection Systems
- Turf Conditioning Systems

Footnotes

-

Contact information

Uponor Inc.
5925 148th Street West
Apple Valley, MN 55124
T 800.321.4739
F 952.891.2008

Uponor Ltd.
6510 Kennedy Road
Mississauga, ON L5T 2X4
T 888.594.7726
F 800.638.9517