

TotalFit elbows

Project Information

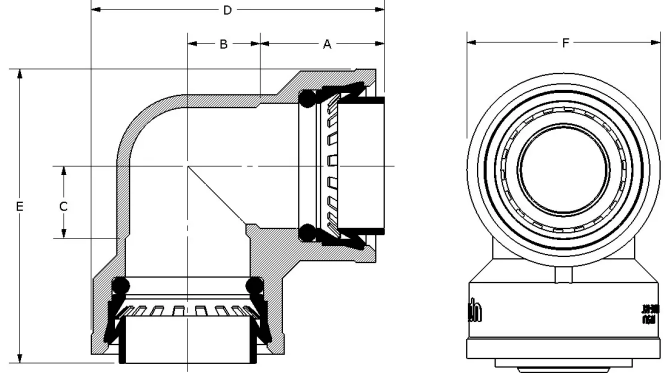
Job name:	Location:
Engineer:	Date submitted:
Contractor:	Submitted by:
Manufacturer's representative:	Approved by:

Technical data

Material	Engineered Polymer
Temp/pressure ratings	73 °F (23 °C) at 160 psi (11 bar) 180 °F (82 °C) at 100 psi (6.9 bar) 200 °F (93 °C) at 80 psi (5.5 bar)
Prop 65 label required?	No

Product information and application use

TotalFit™ is the professional-grade engineered polymer (EP) push-to connect solution that provides greater value for residential projects with the same versatility and speed as brass push-to-connect fittings for PEX, PE-RT, CPVC, and copper piping systems.



Part name	Part no.	A [Inch]	B [Inch]	C [Inch]	D [Inch]	E [Inch]	F [Inch]	End Type 1	End Type 2	Weight per UOM [lbs/UOM]
TotalFit Elbow, 3/4" x 3/4"	TF4760750	1.067	0.492	0.492	2.287	2.287	1.457	TotalFit 3/4"	TotalFit 3/4"	0.09
TotalFit Elbow, 1/2" x 1/2"	TF4760500	0.913	0.37	0.368	1.848	1.846	1.13	TotalFit 1/2"	TotalFit 1/2"	0.05
TotalFit Elbow, 1" x 1"	TF4761000	1.134	0.657	0.657	2.671	2.671	1.76	TotalFit 1"	TotalFit 1"	0.13

Part name	Part no.	Codes	Standards	Listings
TotalFit elbows	All	UPC IRC IPC NPC of Canada UMC CMC CPC IMC	NSF/ANSI/CAN 372 ASTM F877 NSF/ANSI/CAN 61 NSF/ANSI 14 ASSE 1061	IAPMO K-13573 IAPMO K-13571 IAPMO K-13572

In addition, the following parts have additional codes, standards, or listings:

TotalFit Elbow, 1/2" x 1/2"	TF4760500
TotalFit Elbow, 1" x 1"	TF4761000

Installation

Install on PEX, PE-RT, CPVC, and copper piping systems. Use deburr and depth tool to remove excess material or burrs and mark the appropriate depth on pipe. If using flexible PEX or PE-RT, install the insert inside the pipe first before making the connection. Refer to the Uponor TotalFit Instruction Sheet for additional information.

Related applications

Plumbing
Hydronic Heating & Cooling

Footnotes

-

Contact information

Uponor Inc.
5925 148th Street West
Apple Valley, MN 55124
T 800.321.4739
F 952.891.2008

Uponor Ltd.
6510 Kennedy Road
Mississauga, ON L5T 2X4
T 888.594.7726
F 800.638.9517